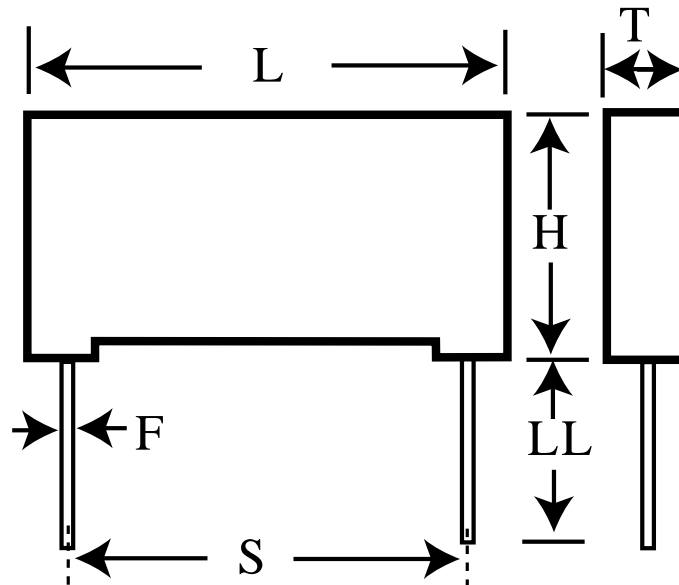


# PHE840MB6120MB10R17

aka F840BJ124M275A

Capacitor, film, 0.12 uF, +/-20% Tol, -55/+105C, Safety: X2, 275VAC,  
Lead Spacing=15 mm



## Dimensions (mm)

## Specifications

| ID | Dimension | Tolerance | Manufacturer:                | KEMET  |
|----|-----------|-----------|------------------------------|--|
| L  | 18        | max       | Brand:                       | Rifa   |
| H  | 12.5      | max       | Capacitance:                 | 0.12 uF  |
| T  | 6.5       | max       | Temperature Range:           | -55/+105C                                      |
| S  | 15        | +/-0.4    | Rated Temperature:           | 105C   |
| LL | 17        | nom       | Voltage @ rated temp:        | 760V   |
| F  | 0.8       | nom       | Voltage AC:                  | 275VAC   |
|    |           |           | Tolerance:                   | +/-20%   |
|    |           |           | Body Type:                   | Radial Box                                     |
|    |           |           | Construction:                | Wound  |
|    |           |           | Application:                 | Safety: X2                                     |
|    |           |           | Dissipation Factor @ 1 kHz:  | 0.1%   |
|    |           |           | Dissipation Factor @ 10 kHz: | 0.4%   |
|    |           |           | Insulation Resistance:       | 30 GOhm  |
|    |           |           | Maximum dVdT:                | 100v/us  |
|    |           |           | UL_1414:                     | 250V   |
|    |           |           | UL_1283:                     | 280V   |
|    |           |           | IEC_60384-14:                | 275V   |
|    |           |           | EN_132400:                   | 275V   |
|    |           |           | C_22.2_NO.1:                 | 250V   |
|    |           |           | C_22.2_NO.8:                 | 280V   |
|    |           |           | Miscellaneous Electrical:    | UL/CSA VAC= 280; fo= &DD2&"MHz series(PHE840M) |
|    |           |           | Package Kind:                | Bulk   |
|    |           |           | Package Quantity:            | 600  |