



SERIES: 12 W DESKTOP

DESCRIPTION: SWITCHING POWER SUPPLY

FEATURES

- universal AC input
- regulated output voltage
- short circuit, over load protection
- meets EISA / efficiency level IV regulations
- custom designs available



MODEL	output voltage		output current		output wattage	ripple	efficiency level	cord length (mm)
	nominal (V dc)		min (A)	max (A)	max (W)	max. (mVp-p)		
ETS050250SUDC-P5P-KH	5		0	2.5	12.5	240	IV	1830 ±150
ETS060175SUDC-P5P-KH	6		0	1.75	10.5	240	IV	1830 ±150
ETS090120SUDC-P5P-KH	9		0	1.2	10.8	240	IV	1830 ±150
ETS120100SUDC-P5P-KH	12		0	1	12	240	IV	1830 ±150
ETS150080SUDC-P5P-KH	15		0	0.8	12	240	IV	1830 ±150
ETS180067SUDC-P5P-KH	18		0	0.67	12	240	IV	1830 ±150
ETS240050SUDC-P5P-KH	24		0	0.5	12	240	IV	1830 ±150

*full load, 100~240 Vac input, measured at 20MHz bandwidth with a 22 uF electrolytic cap and a 0.1 uF ceramic cap on the output



SERIES: 12 W DESKTOP

DESCRIPTION: SWITCHING POWER SUPPLY

INPUT

parameter	conditions/description	min	nom	max	units
rated input voltage		100		240	V ac
input voltage range		90		264	V ac
rated frequency		50		60	Hz
frequency range		47		63	Hz
rated input current				3.5	A
inrush current	230 V ac, full load, cold start, 25°C			50	A
no load power consumption	100 ~ 240 V ac			0.5	W

OUTPUT

parameter	conditions/description	min	nom	max	units
line regulation			±2		%
load regulation			±5		%
over voltage protection	output shut down	120%		180%	V dc
short circuit protection	auto recovery				
over current protection	foldback, auto recovery				

SAFETY & EMI

parameter	conditions/description	min	nom	max	units
HI-POT	input to output at 4 mA for 2 second input to case at 4 mA for 2 second			3000 3000	V ac V ac
insulation resistance	input to output at 500 V dc	50			MΩ
safety approvals	UL/cUL, CB (IEC60950-1), CE (GS/TUV EN60950-1)				
EMI standard	FCC part 15 class B, CE (EN55022, EN61204-3)				
RoHS compliant	yes				
LPS power supply	yes				

ENVIRONMENTAL

parameter	conditions/description	min	nom	max	units
operating temperature		0		40	°C
operating humidity		10		95	%
storage temperature		-20		70	°C
storage humidity		10		95	%

RELIABILITY

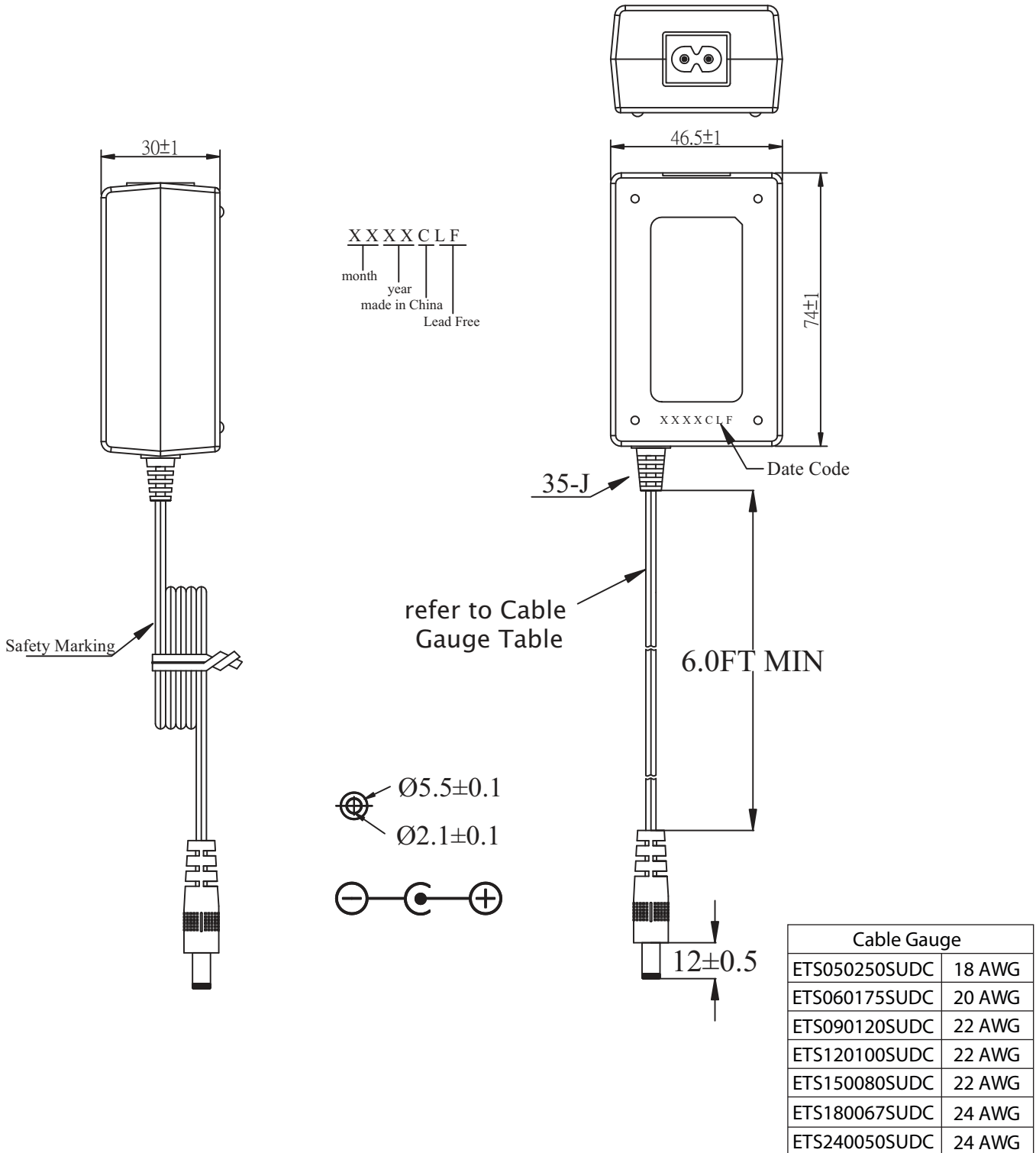
parameter	conditions/description	min	nom	max	units
MTBF	50000 hours			25	°C
burn-in	2 hours			40	°C



SERIES: 12 W DESKTOP

DESCRIPTION: SWITCHING POWER SUPPLY

MECHANICAL DRAWING

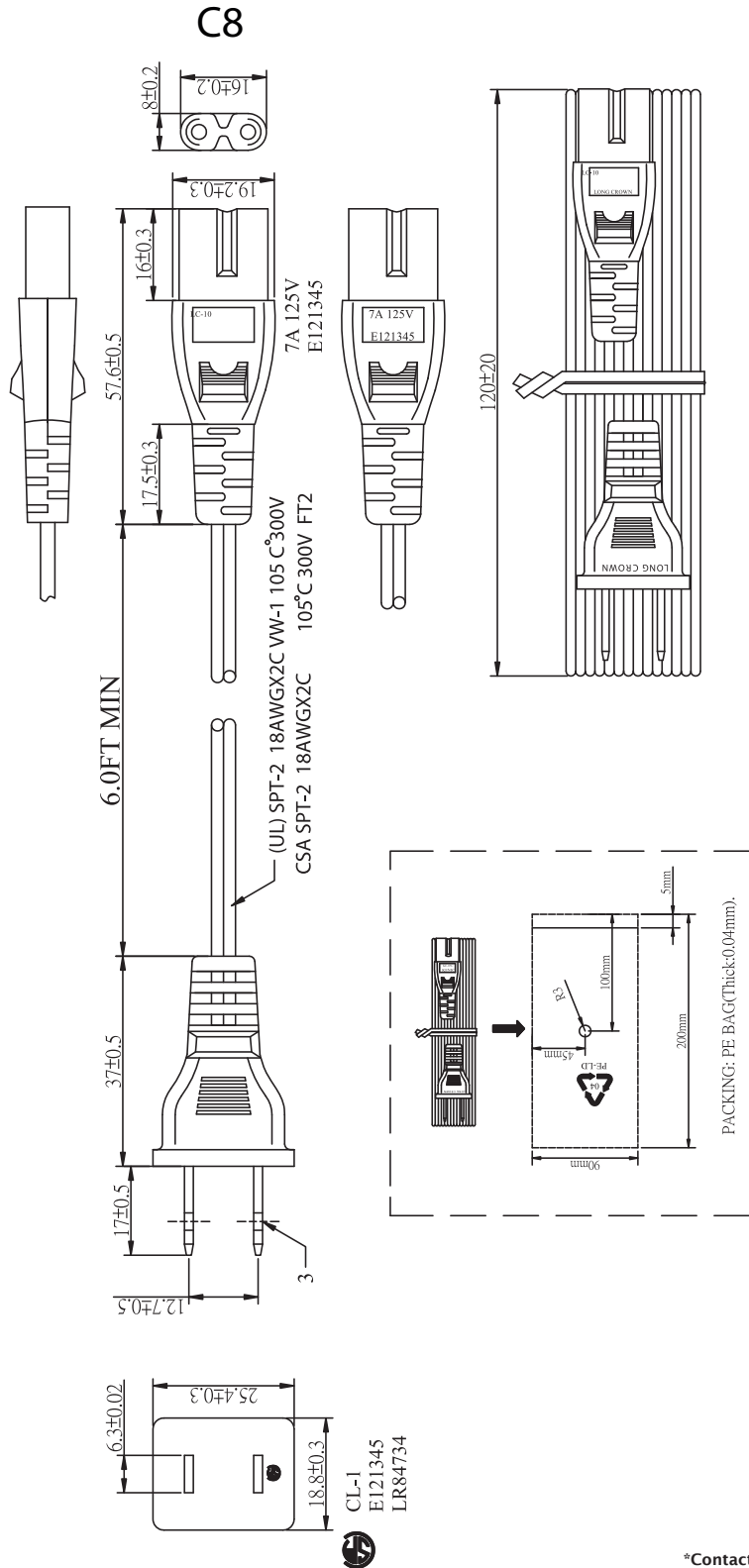




SERIES: 12 W DESKTOP

DESCRIPTION: SWITCHING POWER SUPPLY

AC CORD



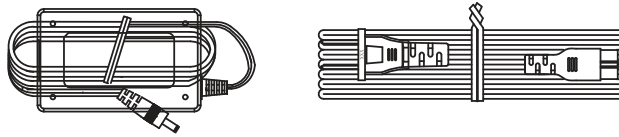
*Contact CUI for additional ac cord input blade options.



SERIES: 12 W DESKTOP

DESCRIPTION: SWITCHING POWER SUPPLY

INDIVIDUAL PACKAGING

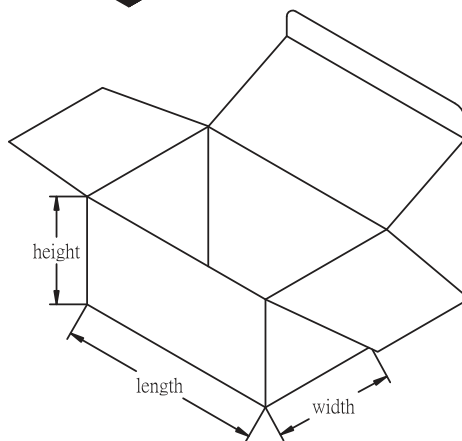


BOX

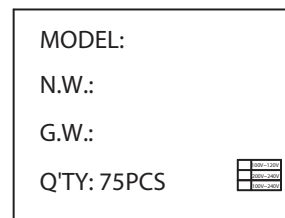
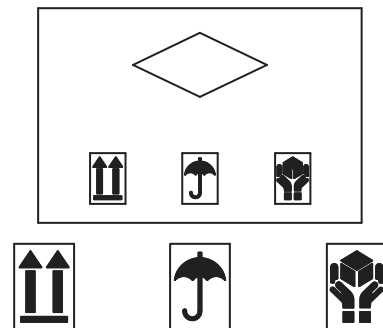
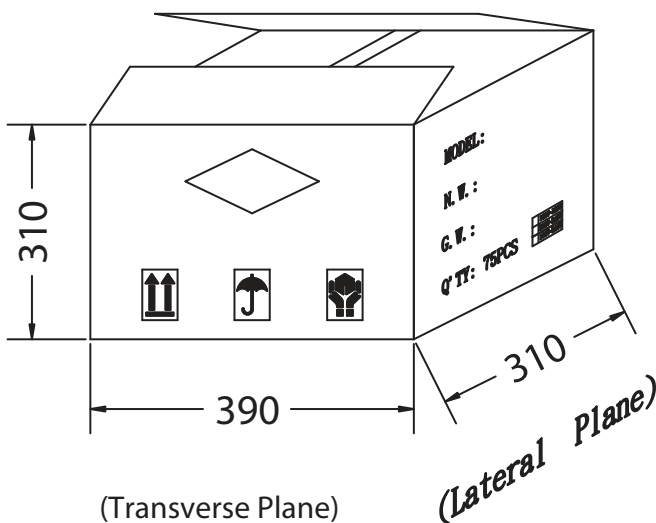
Length: 128

Width: 60

Height: 60



PACKAGING



	100V~120V
	200V~240V
	100V~240V