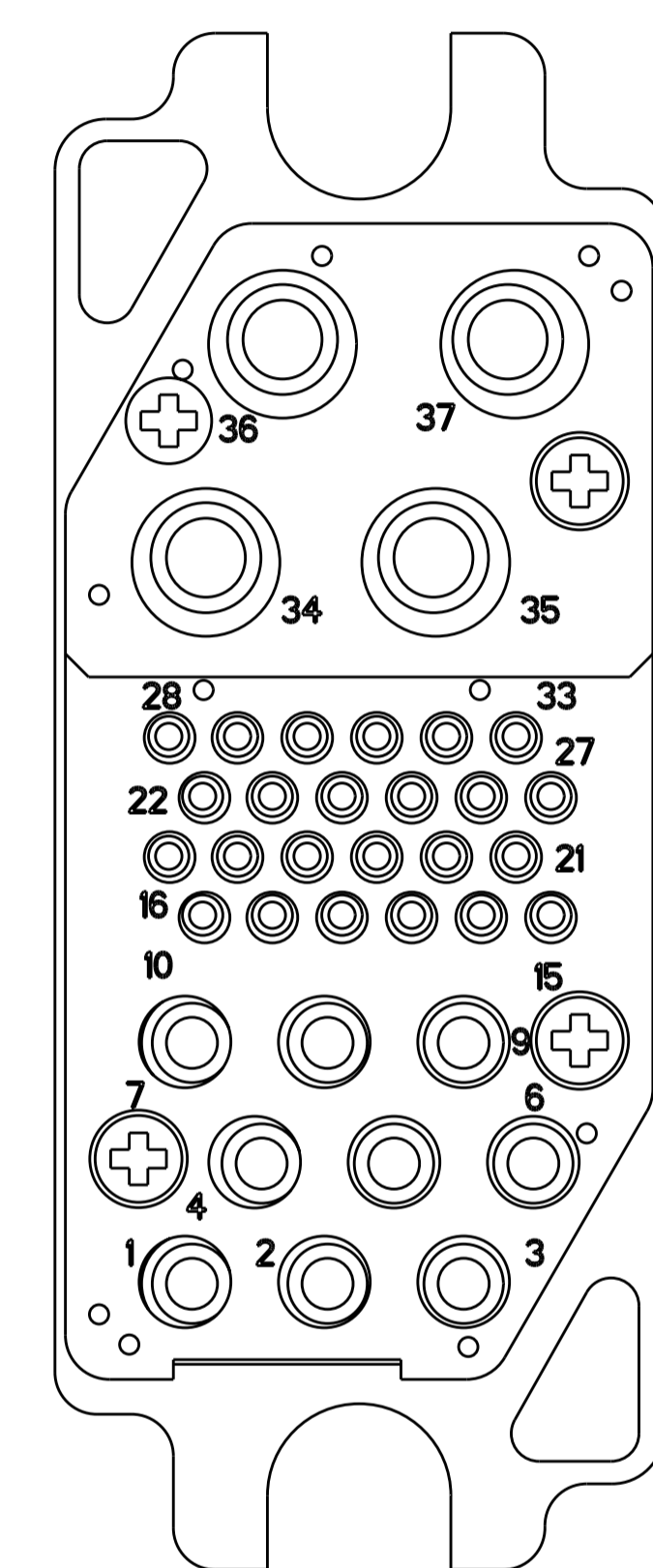
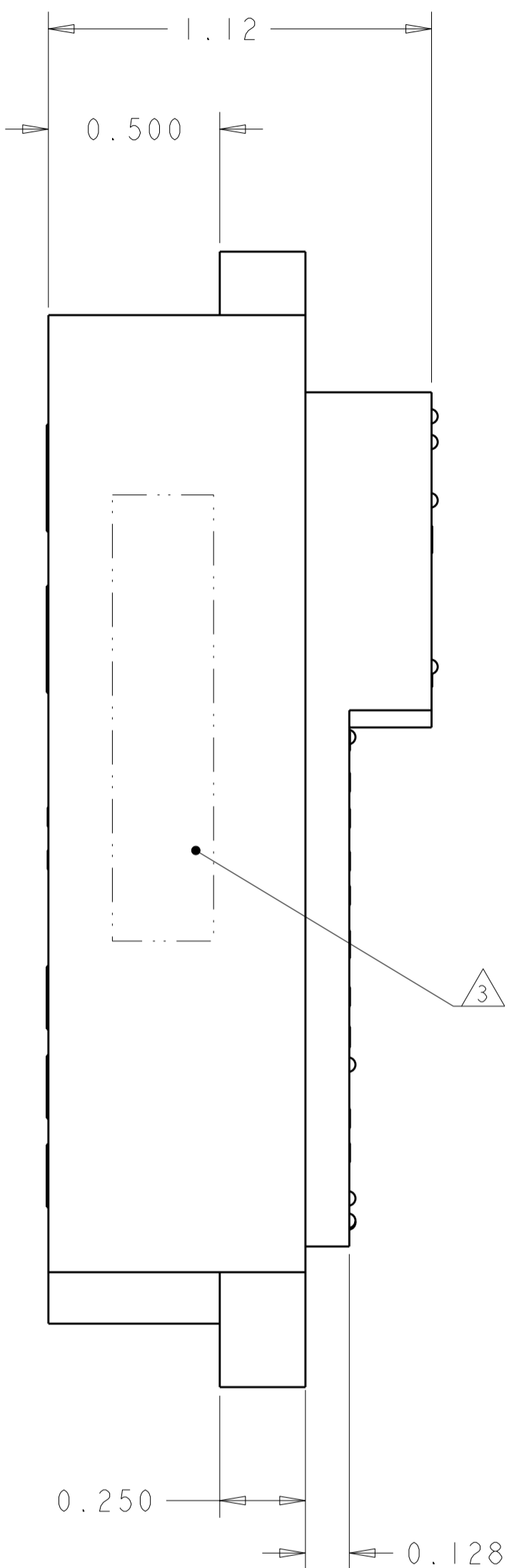
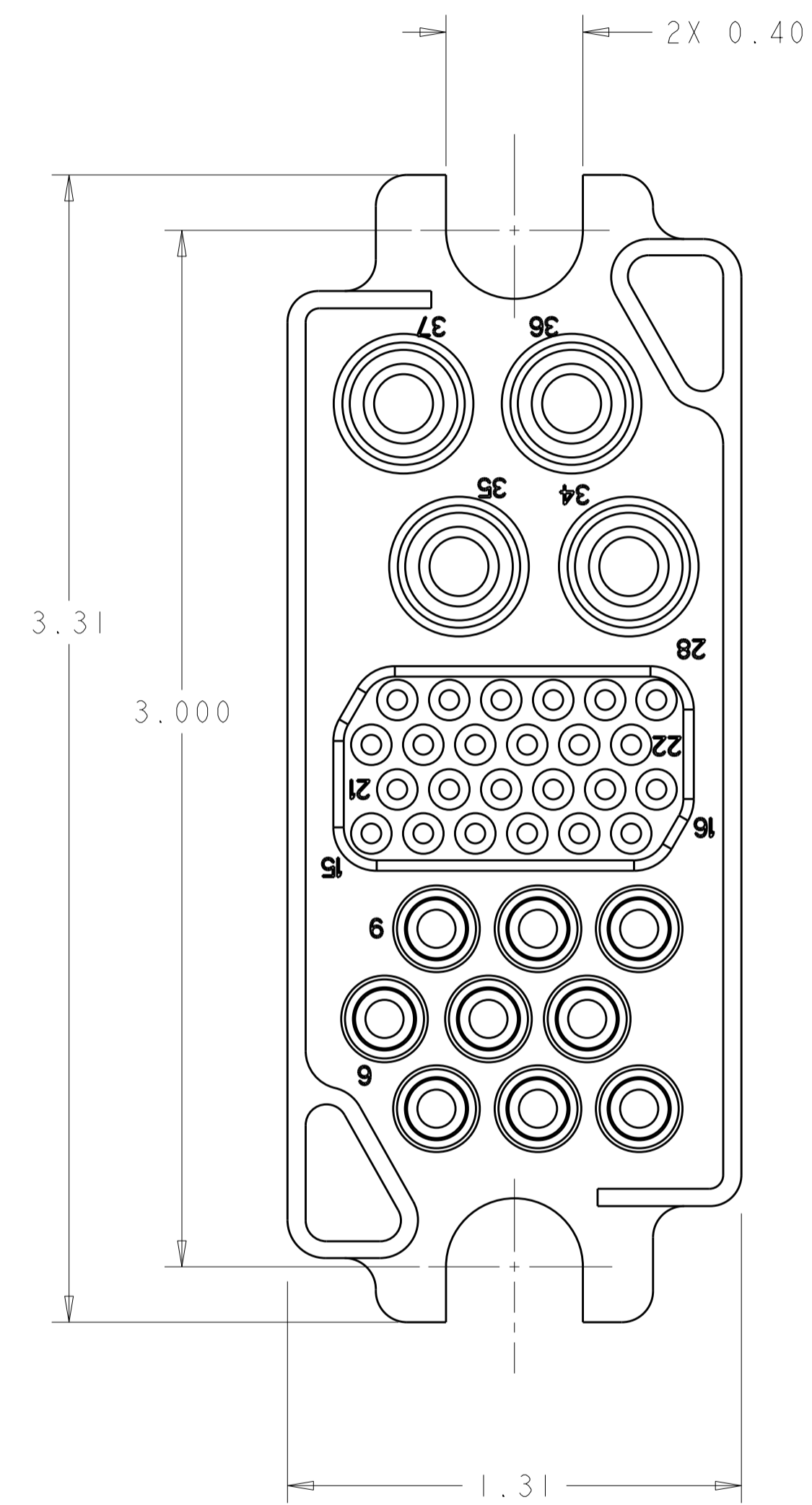


THIS DRAWING IS UNPUBLISHED. RELEASED FOR PUBLICATION 20
 © COPYRIGHT 20 TE ALL RIGHTS RESERVED.

LOC		DIST		REVISIONS			
P	LTR	DESCRIPTION	DATE	DWN	APVD		
GP	00	A	NEW RELEASE	25JAN2012	RG	DO	



REAR VIEW

SOCKET CONTACT (B)
 SIZE #8

SOCKET CONTACT
 SIZE #20

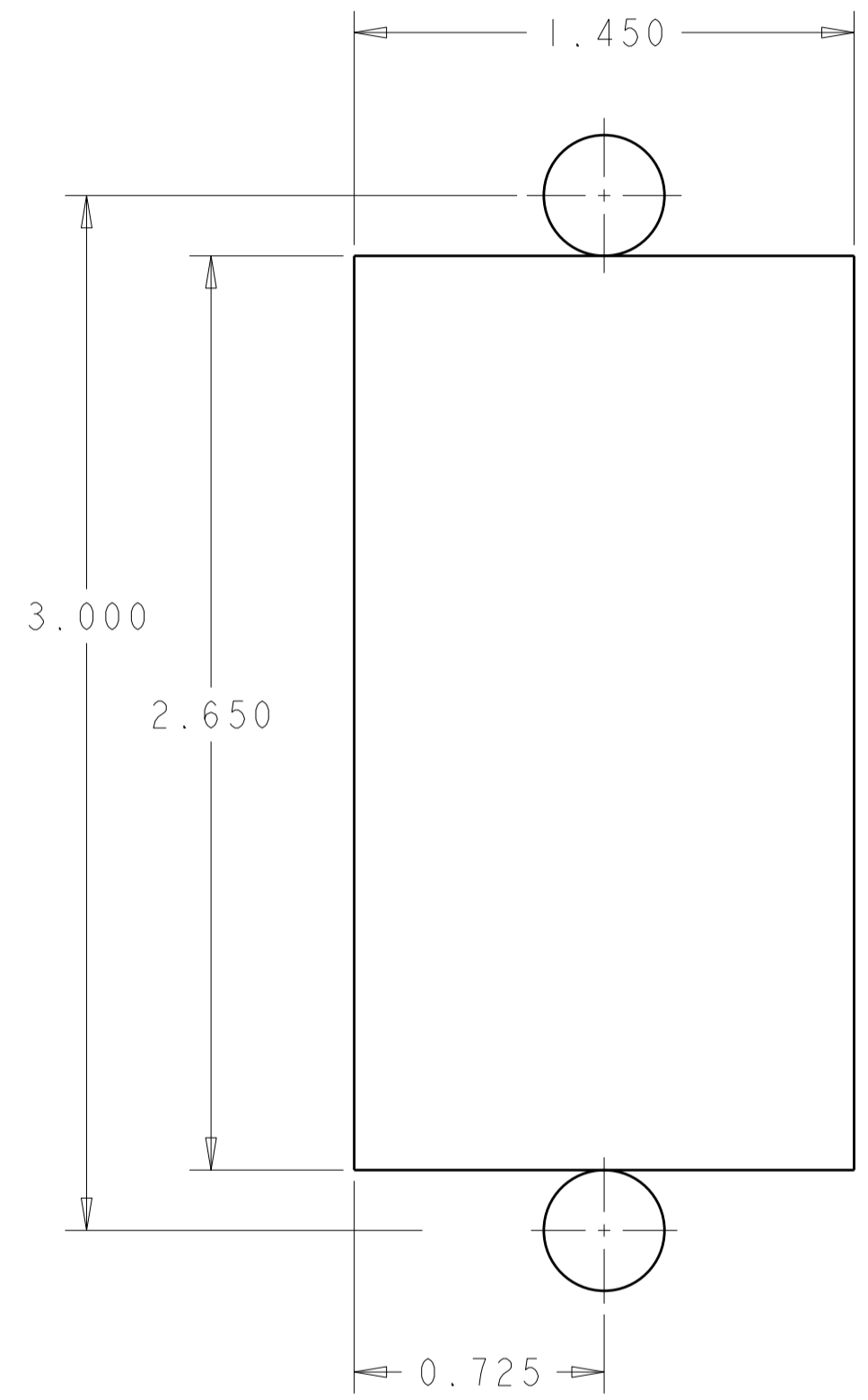
SOCKET CONTACT (D)
 SIZE #12

AS SHOWN	6643411-1
DESCRIPTION	PART NUMBER

THIS DRAWING IS A CONTROLLED DOCUMENT.		DWN R. GRZYBOWSKI 25 JAN 2012	TE Connectivity	
DIMENSIONS: INCHES		CHK D. ORRIS 25 JAN 2012		
TOLERANCES UNLESS OTHERWISE SPECIFIED:		APVD D. ORRIS 25 JAN 2012	NAME CONNECTOR ASSEMBLY SOCKET 75 AMP, MIDDLE DRAWER	
0 PLC ± 1 PLC ± 2 PLC ±.02 3 PLC ±.010 4 PLC ± ANGLES ±.5 FINISH		PRODUCT SPEC 108-2285	SIZE A200779	
MATERIAL		APPLICATION SPEC 114-13206	DRAWING NO C-6643411	
1 - 2 -		WEIGHT -	RESTRICTED TO -	
CUSTOMER DRAWING		SCALE 3:1	SHEET 1 OF 2 REV A	

THIS DRAWING IS UNPUBLISHED. RELEASED FOR PUBLICATION 20
 © COPYRIGHT 20 TE ALL RIGHTS RESERVED.

LOC	DIST	REVISIONS			
P	LTR	DESCRIPTION	DATE	DWN	APVD
GP	00	-	SEE SHEET 1	-	-



SUGGESTED PANEL CUTOUT
 VIEW FROM CONNECTOR MOUNTING SIDE

- 1 MATERIAL:
 INSULATOR: THERMOPLASTIC, GLASS REINFORCED,
 FLAMMABILITY RATED, COLOR: BLACK
 SOCKET CONTACT: COPPER ALLOY
 RETENTION CLIP: COPPER ALLOY OR STAINLESS STEEL
- 2 FINISH:
 CONTACT BODY SIZE #8 & 12 - SILVER PLATE .000200 MIN. THK.
 OVER NICKEL .000050 MIN. THK.
 CROWN BANDS - GOLD PLATE .000030 MIN THK. OVER
 NICKEL .000050 MIN THK.
- 3 ITEMS PROVIDED TO THIS SPECIFICATION TO BE PERMANENTLY
 IDENTIFIED PER THE FOLLOWING IDENTIFIER:
 PART NUMBER AND MANUFACTURING DATE CODE
- 4 CRIMP CONTACTS (ITEMS B & C) SHALL BE PACKAGED
 SEPARATELY AND PLACED IN THE BOX WITH THE
 CONNECTOR ASSEMBLY.

6	6648318-1	CONTACT, SOCKET, #12, CRIMP	C
3	6648317-1	CONTACT, SOCKET, #8, CRIMP	B
1	6648167-2	CONNECTOR, SOCKET	A
-1	PART NUMBER	DESCRIPTION	ITEM

THIS DRAWING IS A CONTROLLED DOCUMENT.		DWN R. GRZYBOWSKI 25 JAN 2012	STE TE Connectivity		
DIMENSIONS: INCHES		CHK D. ORRIS 25 JAN 2012			
TOLERANCES UNLESS OTHERWISE SPECIFIED:		APVD D. ORRIS 25 JAN 2012	NAME CONNECTOR ASSEMBLY SOCKET 75 AMP, MIDDLE DRAWER		
0 PLC ± 1 PLC ±.02 2 PLC ±.010 3 PLC ±.010 4 PLC ±.010 ANGLES ±.5 FINISH		PRODUCT SPEC 108-2285 APPLICATION SPEC 114-13206	SIZE A2	CAGE CODE 00779	DRAWING NO 6643411
MATERIAL		WEIGHT	RESTRICTED TO		
-		-	-		
CUSTOMER DRAWING			SCALE 3:1	SHEET 2 OF 2	REV A