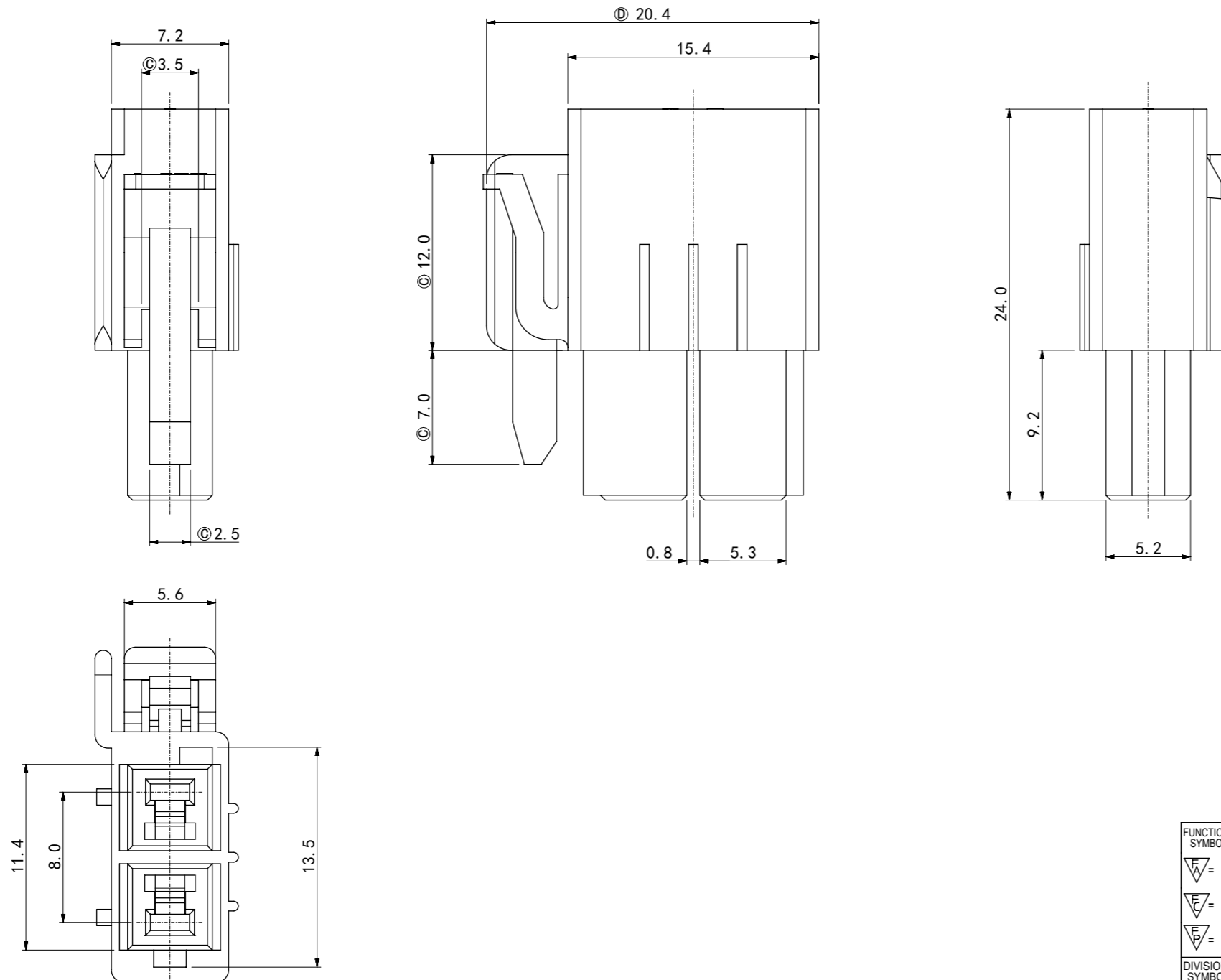
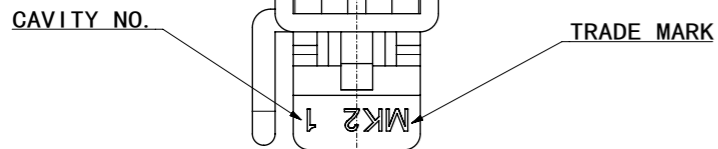
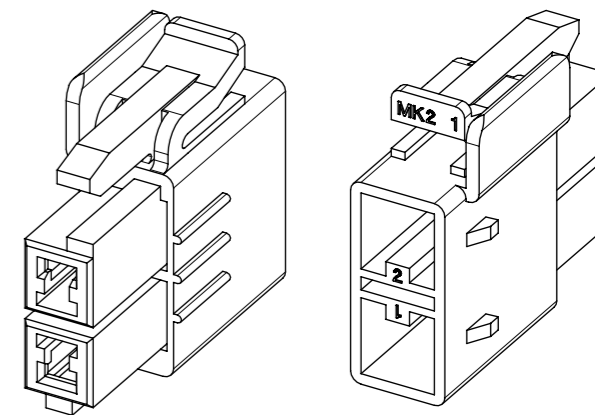


**NOTE**

1. MATERIAL & COLOR : SEE TABLE
2. MATED HOSUING : 35180-\*60\*
3. APPLICABLE TERMINAL : 35748-0\*10
4. MATED TPA : 35965-029\*
5. PRODUCT SPECIFICATION : PS 351800600
6. PACKAGING SPECIFICATION : PK-35965-001



NO.	POLYESTER (PBT)		PET/PC (UL94V-0)	
	MATERIAL	COLOR	MATERIAL	COLOR
1	35965-0220	NATURAL	35965-9220	NATURAL
2			35965-9222	RED
3	35965-0224	BLUE	35965-9223	YELLOW
4			35965-9224	BLUE

FUNCTIONAL SYMBOLS $\nabla_A = 0$ $\nabla_E = 0$ $\nabla_P = 0$	THIS DRAWING CONTAINS INFORMATION THAT IS PROPRIETARY TO MOLEX ELECTRONIC TECHNOLOGIES, LLC AND SHOULD NOT BE USED WITHOUT WRITTEN PERMISSION	CURRENT REV DESC:							
	DIMENSION UNITS	SCALE	EC NO: 669223					.070 MULTI FEMALE HSG -2P (C-TYPE)	
	mm	3:1	DRWN: SCHONG03		2021/07/06				
	GENERAL TOLERANCES (UNLESS SPECIFIED)		CHK'D: JDPARK01		2021/07/06				
ANGULAR TOL ± 1.0°		APPR: JBJIN		2021/07/07					
4 PLACES ±		INITIAL REVISION:		DOCUMENT NUMBER		DOC TYPE	DOC PART	REVISION	
3 PLACES ±		DRWN: SCHONG03		359659220		PSD	000	E2	
2 PLACES ±		APPR: YSKIM02		2017/12/15					
1 PLACE ± 0.3				2018/06/08					
0 PLACES ± 0.3		DRAFT WHERE APPLICABLE MUST REMAIN WITHIN DIMENSIONS		THIRD ANGLE PROJECTION	DRAWING	SERIES	MATERIAL NUMBER	CUSTOMER	SHEET NUMBER
					A3-SIZE	35965	SEE TABLE	GENERAL MARKET	1 OF 1