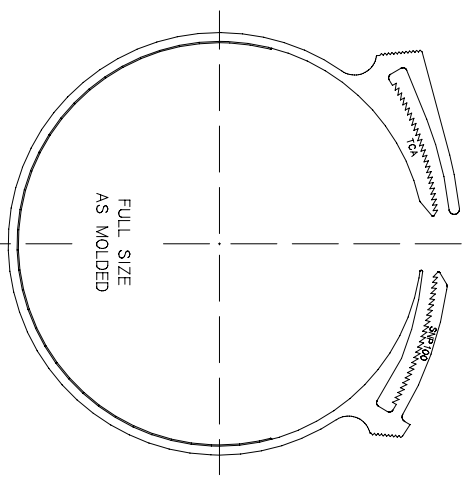
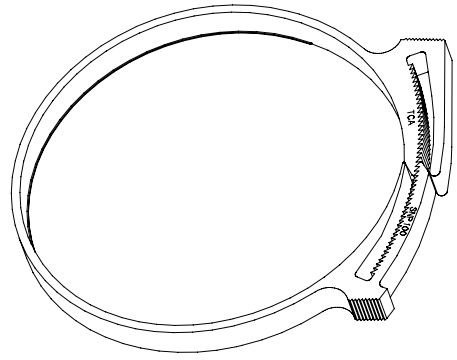
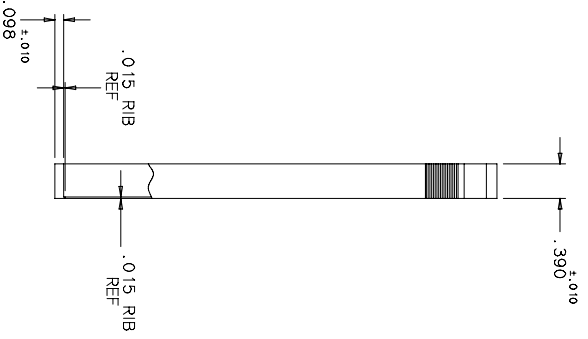
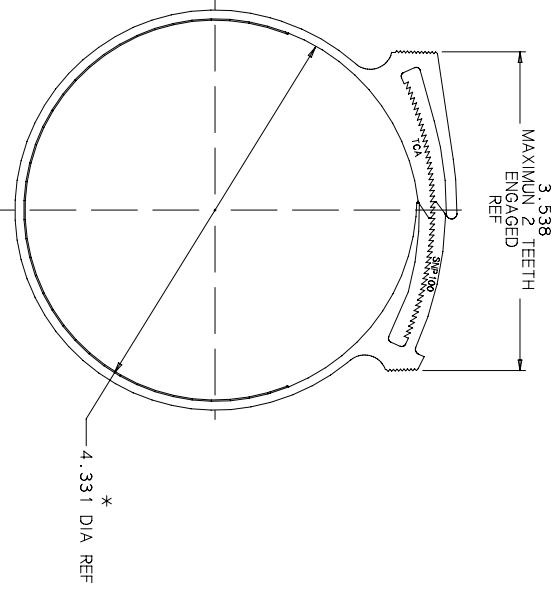
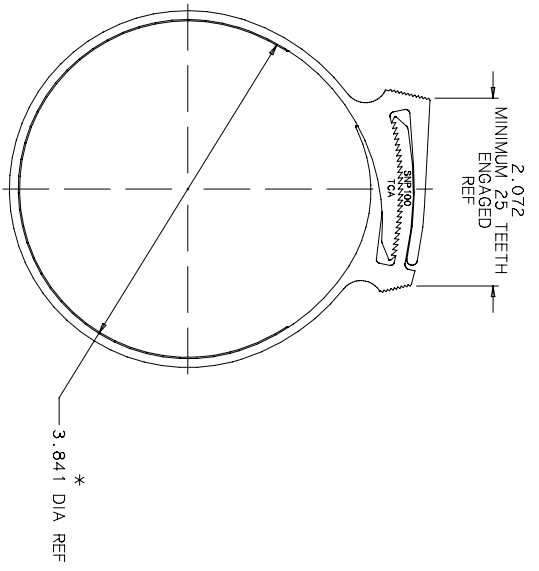


HellermannTyton®



NOTE:
* 1. INSIDE DIAMETERS ARE MEASURED IN THREE PLACES SPACED 120° APART EXCLUDING .015 WIDE RIB

* CLAMP RANGE

POSITION	EFFECTIVE TOOTH ENGAGEMENT	DIAMETER
MINIMUM	25	3.841
NOMINAL	14	4.075
MAXIMUM	2	4.331

CHANGE IN DIA./TOOTH = .0213

DESIGN TEAM	INSTRUMENTS/DATE
ALL PROPERTIES RIGHTS IN THE SUBJECT MATTER ARE RESERVED EXCEPT WHERE SHOWN OTHERWISE BY THIS COMPANY/IN	

DATE	BY	REVISION	DESCRIPTION
001-A			CHANGED RELEASED

MATERIAL	DIMENSION	VERIFIED	UNITS	TOLERANCES
13% GLASS FILLED NYLON 6/6 HEAT STABILIZED	name	<input checked="" type="checkbox"/> in	in	Unless otherwise specified
	date	<input type="checkbox"/> mm	mm	
		<input type="checkbox"/> mm	mm	
		<input type="checkbox"/> mm	mm	
		<input type="checkbox"/> mm	mm	

NAME	DATE	PART NAME	SCALE	CUSTOMER DRAWING NUMBER
K.A.C.	3/10/93	SNP-100	FULL	CP/CST\2100001A

CATALOG NUMBER	PART NUMBER-REV
SNP-100	CP2100-001-A