

MATERIALS AND FINISHES:

BODY: ZINC
PLATED: NICKEL

CENTER CONTACT: PHOSPOR BRONZE
PLATED: GOLD

OUTER CONTACT: BERYLLIUM COPPER
PLATED: NICKEL

CRIMP TUBE: BRASS
PLATED: NICKEL

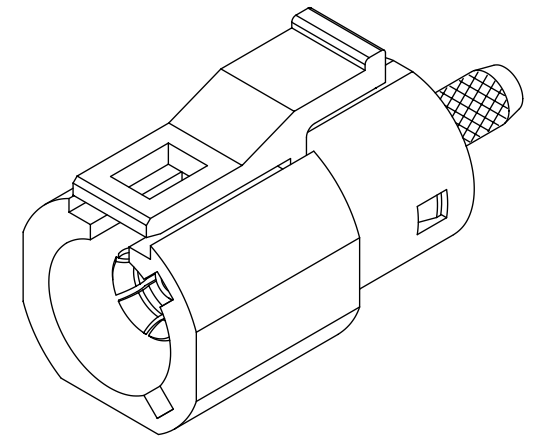
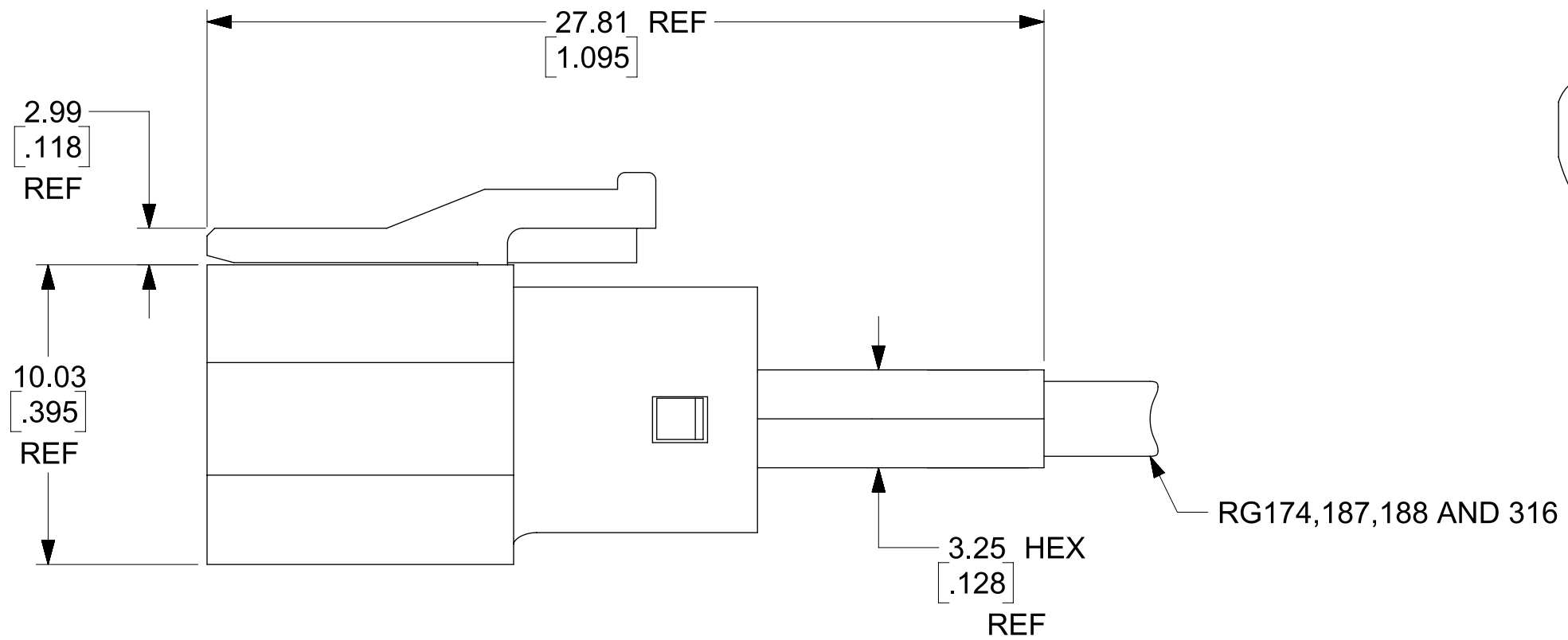
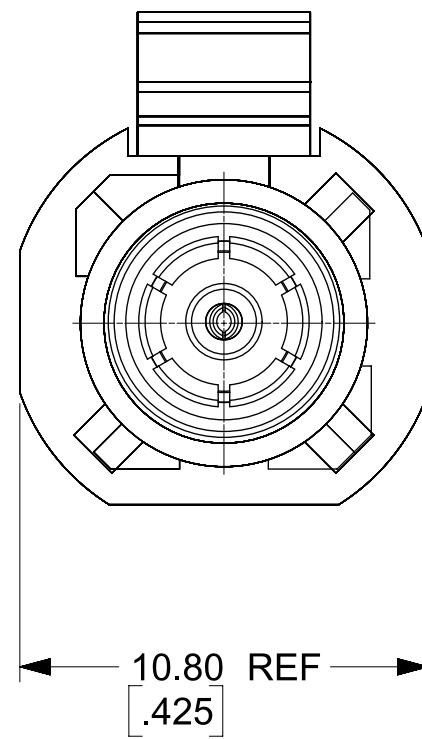
OUTER CASING: NYLON
KEYING: SEE TABLE
COLOR: SEE TABLE

INSULATOR: PTFE

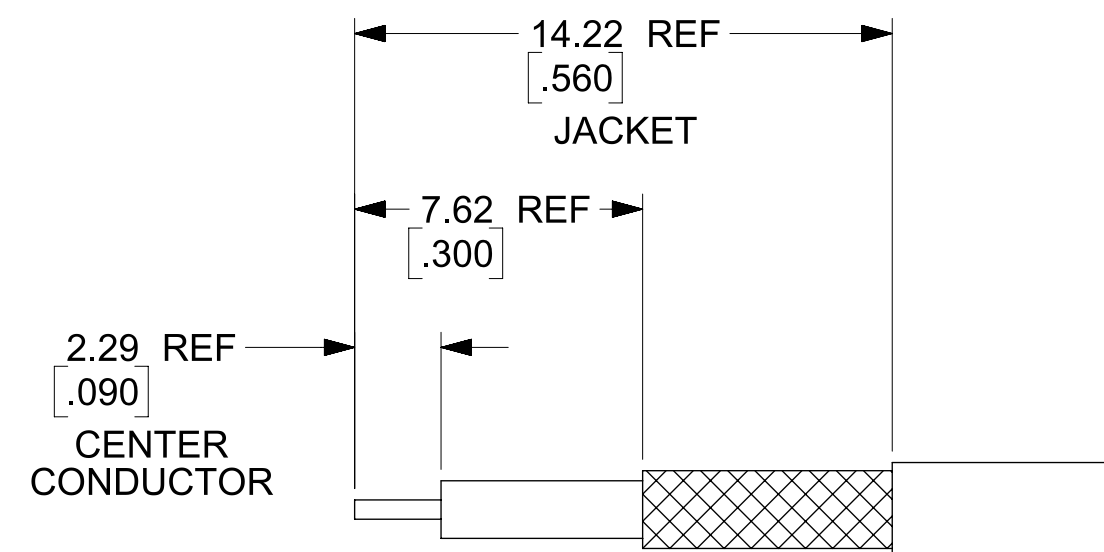
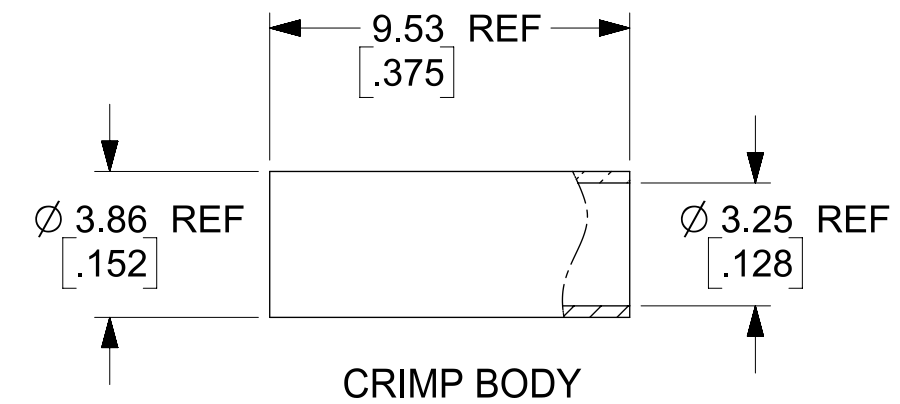
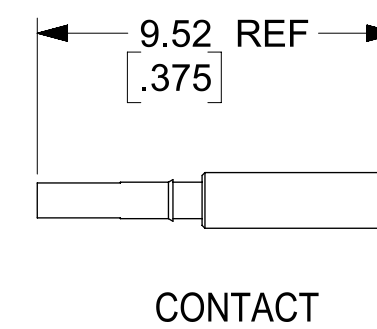
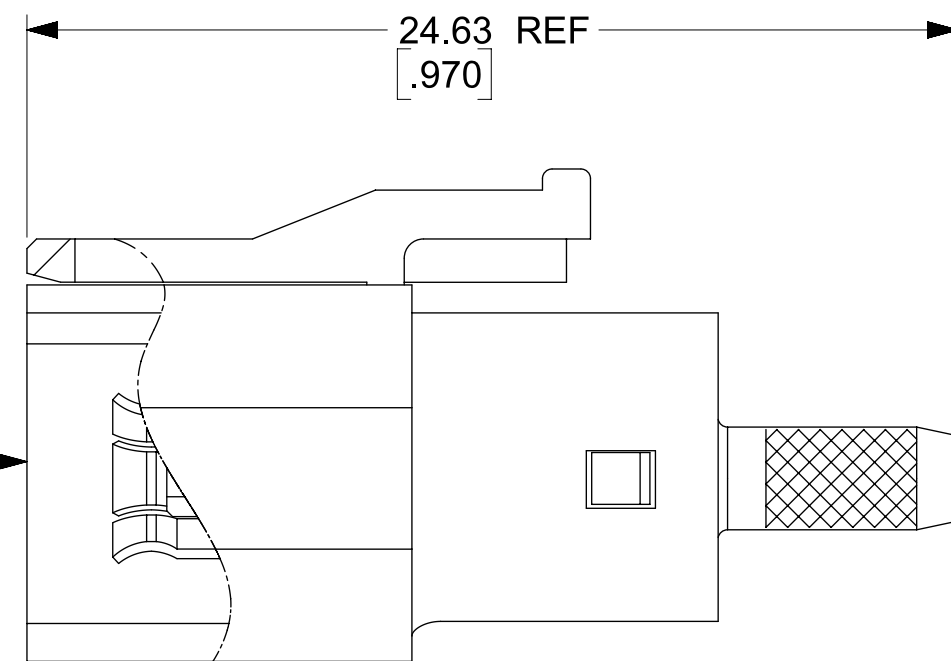
CABLE: RG174, 188, & 316

RETENTION SPECIFICATION:

THE SHROUD WILL WITHSTAND A
LONGITUDINAL FORCE OF 24.73 POUNDS (110N)



FAKRA
CONNECTOR
KEYING
CODE D SHOWN



SUGGESTED STRIP DIMENSIONS

OBSOLETE

PART # SEE SHEET 2

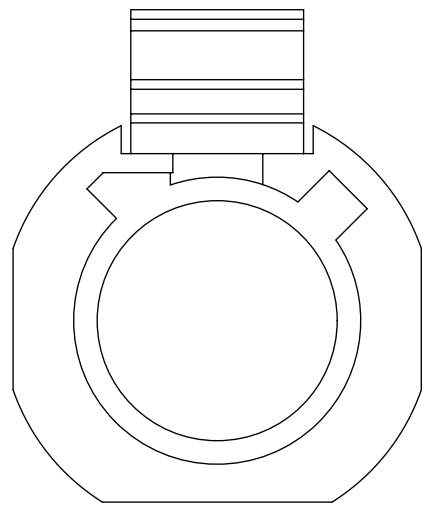
PS-89675-331	PRODUCT SPECIFICATION
DIN 72594-1	INTERFACE SPECIFICATION
SPECIFICATION	DESCRIPTION

QUALITY SYMBOLS ▽ = 0 ▽ = 0 ▽ = 0 ▽ = 0 ▽ = 0 ▽ = 0 ▽ = 0 ▽ = 0 ▽ = 0 ▽ = 0 ▽ = 0	THIS DRAWING CONTAINS INFORMATION THAT IS PROPRIETARY TO MOLEX ELECTRONIC TECHNOLOGIES, LLC AND SHOULD NOT BE USED WITHOUT WRITTEN PERMISSION				
	SEE ECM EC NO: 123281 DRWN: BBHARADWAJD CHKD: BBHARADWAJD REV / APPR: AROBERTSON	2017/10/09 2017/11/14 2017/11/14	GENERAL TOLERANCES (UNLESS SPECIFIED) MM INCH 4 PLACES ± ± 3 PLACES ± ± 0.01 2 PLACES ± 0.25 ± 1 PLACES ± ± 0 PLACES ± ±		DIMENSION UNITS: MM SCALE: DRWN BY: BBHARADWAJD DATE: 2017/10/13 CHK'D BY: SSHAH DATE: 2004/09/23 APPR BY: JWIENER DATE: 2004/09/24
		ANGULAR TOL ± 2.0 DRAFT WHERE APPLICABLE MUST REMAIN WITHIN DIMENSIONS		DRAWING SIZE: C THIRD ANGLE PROJECTION	SERIES: 73415 MATERIAL NUMBER: SEE TABLE CUSTOMER:
		DOCUMENT NUMBER: SD-73415-291 DOC TYPE: PSD DOC PART: 001 SHEET NUMBER: 1 OF 3			

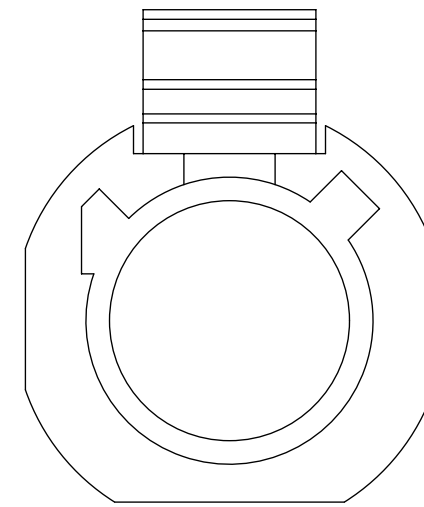


SMB PLUG, FAKRA
RG174,187,188,316 CABLE, SMB-JC, EWR-11422

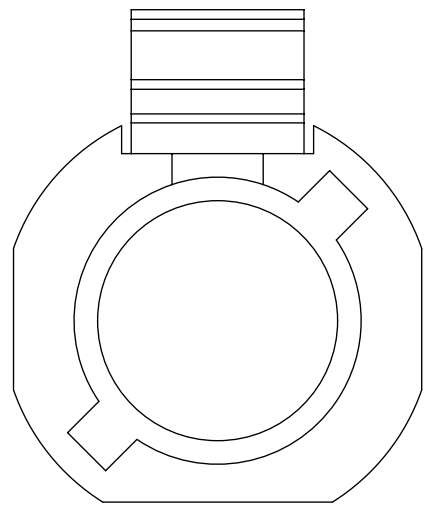
PRODUCT CUSTOMER DRAWING



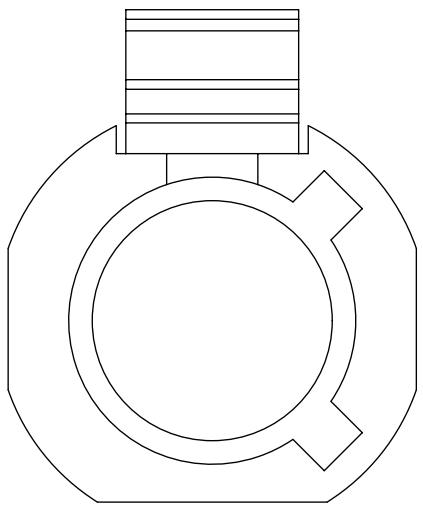
CODE - A



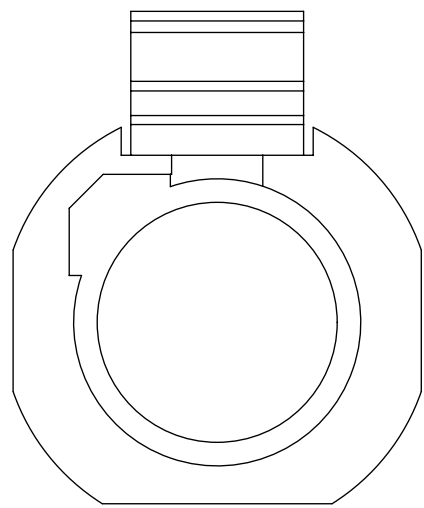
CODE - B



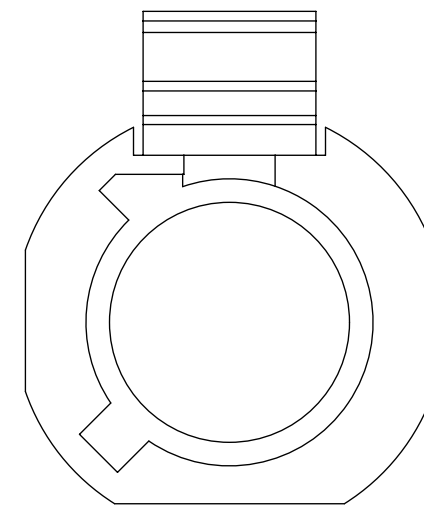
CODE - C



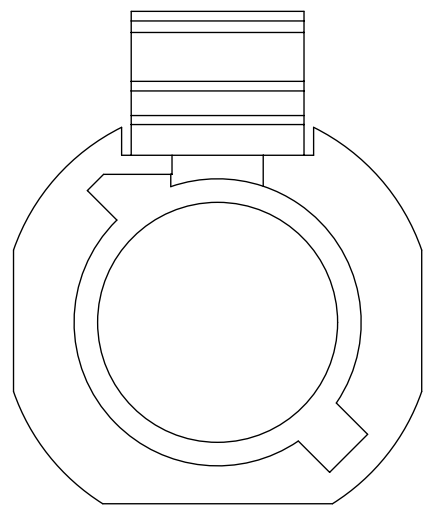
CODE - D



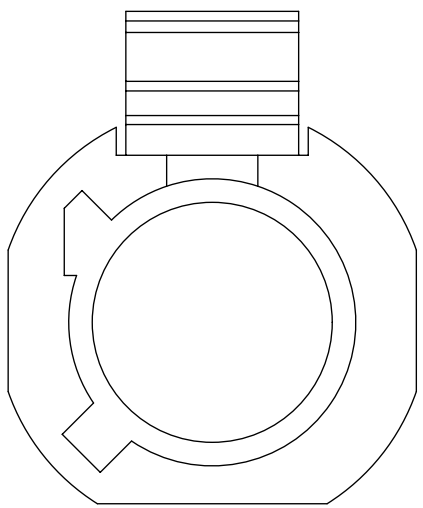
CODE - E



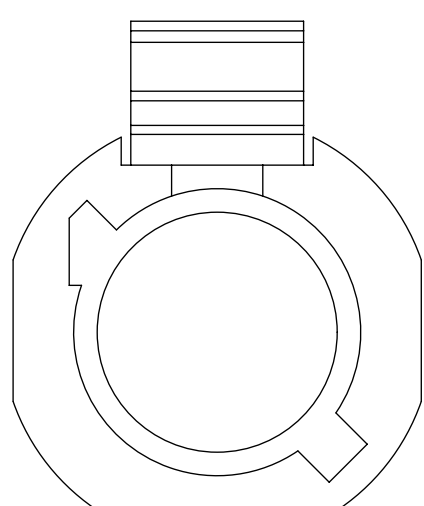
CODE - F



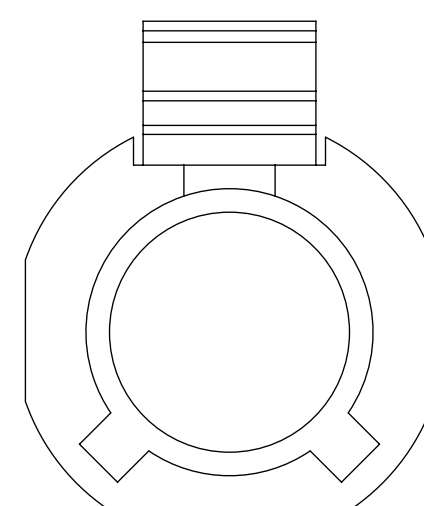
CODE - G



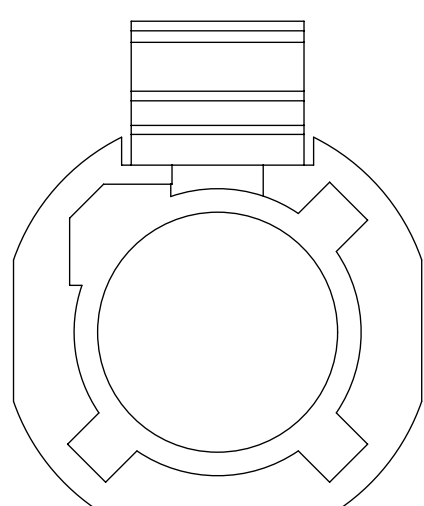
CODE - H



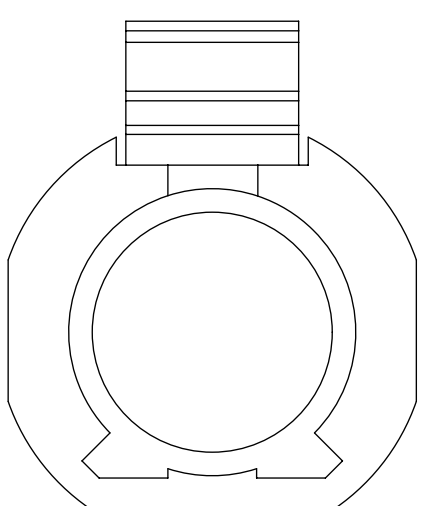
CODE - I



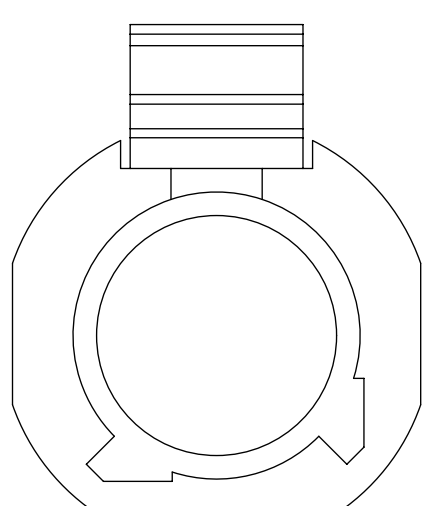
CODE - K



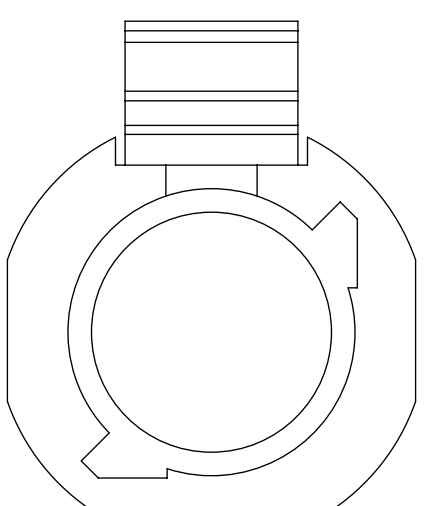
CODE - Z



CODE - L



CODE - M



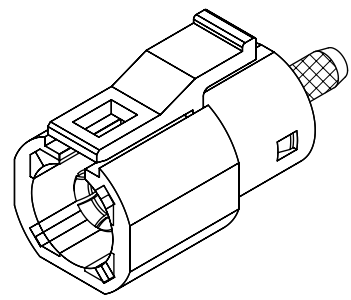
CODE - N

N	PASTEL GREEN	73415-2923
M	PASTEL ORANGE	73415-2922
L	CARMINE RED	73415-2921
Z	WATER BLUE	73415-2920
K	CURRY YELLOW	73415-2919
I	BEIGE	73415-2918
H	VIOLET	73415-2917
G	GRAY	73415-2916
F	BROWN	73415-2915
E	GREEN	73415-2914
D	BORDEAUXVIOLET	73415-2913
C	BLUE	73415-2912
B	CREAM WHITE	73415-2911
A	BLACK	73415-2910
KEYING CODE	COLOR	PART NO.

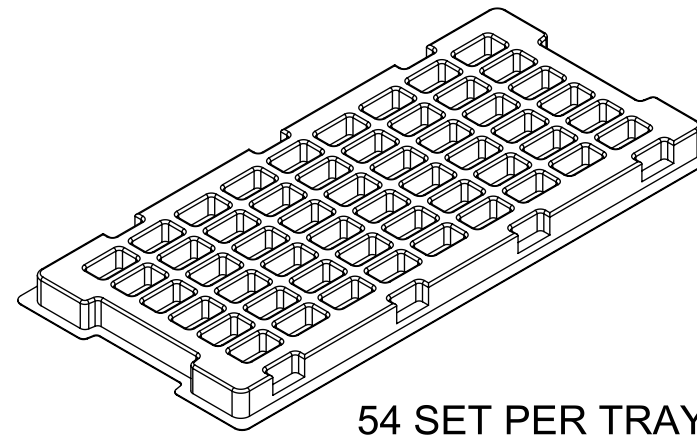
OBSOLETE
OBSOLETE
OBSOLETE
OBSOLETE
OBSOLETE
OBSOLETE
OBSOLETE
OBSOLETE
OBSOLETE
OBSOLETE
OBSOLETE
OBSOLETE

SEE SHEET 3 FOR REPLACEMENT PART NUMBERS

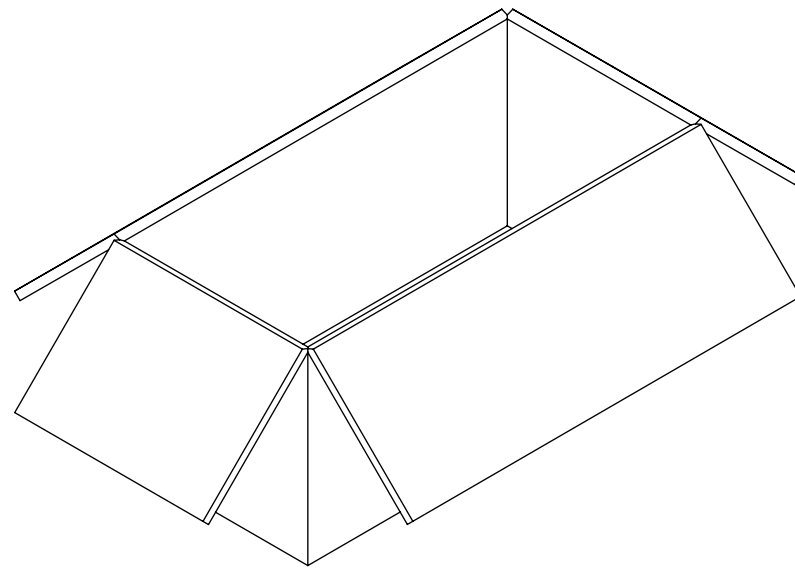
QUALITY SYMBOLS ▽ = 0 ▽ = 0 ▽ = 0 ▽ = 0 ▽ = 0 ▽ = 0 ▽ = 0 ▽ = 0 ▽ = 0 ▽ = 0 ▽ = 0 ▽ = 0	THIS DRAWING CONTAINS INFORMATION THAT IS PROPRIETARY TO MOLEX ELECTRONIC TECHNOLOGIES, LLC AND SHOULD NOT BE USED WITHOUT WRITTEN PERMISSION		DIMENSION UNITS MM		SCALE	
	GENERAL TOLERANCES (UNLESS SPECIFIED) MM INCH 4 PLACES ± ± 3 PLACES ± ± 0.01 2 PLACES ± 0.25 ± 1 PLACES ± ± 0 PLACES ± ±		DRWN BY DATE BBHARADWAJD 2017/10/13			
	ANGULAR TOL ± 2.0		CHK'D BY DATE SSHAH 2004/09/23			
	DRAFT WHERE APPLICABLE MUST REMAIN WITHIN DIMENSIONS		APPR BY DATE JWIENER 2004/09/24		PRODUCT CUSTOMER DRAWING	
EC NO: 123281 DRWN: BBHARADWAJD CHKD: BBHARADWAJD REV / APPR: AROBERTSON		DIMENSION UNITS C		DRAWING SIZE THIRD ANGLE PROJECTION		
B5		DRAWING SIZE THIRD ANGLE PROJECTION		SERIES MATERIAL NUMBER CUSTOMER 73415 SEE TABLE		
RELEASE STATUS P1 RELEASE DATE 14.11.2017 15:37:42		DOCUMENT NUMBER DOC TYPE DOC PART SHEET NUMBER SD-73415-291 PSD 001 2 OF 3		SHEET NUMBER 2 OF 3		



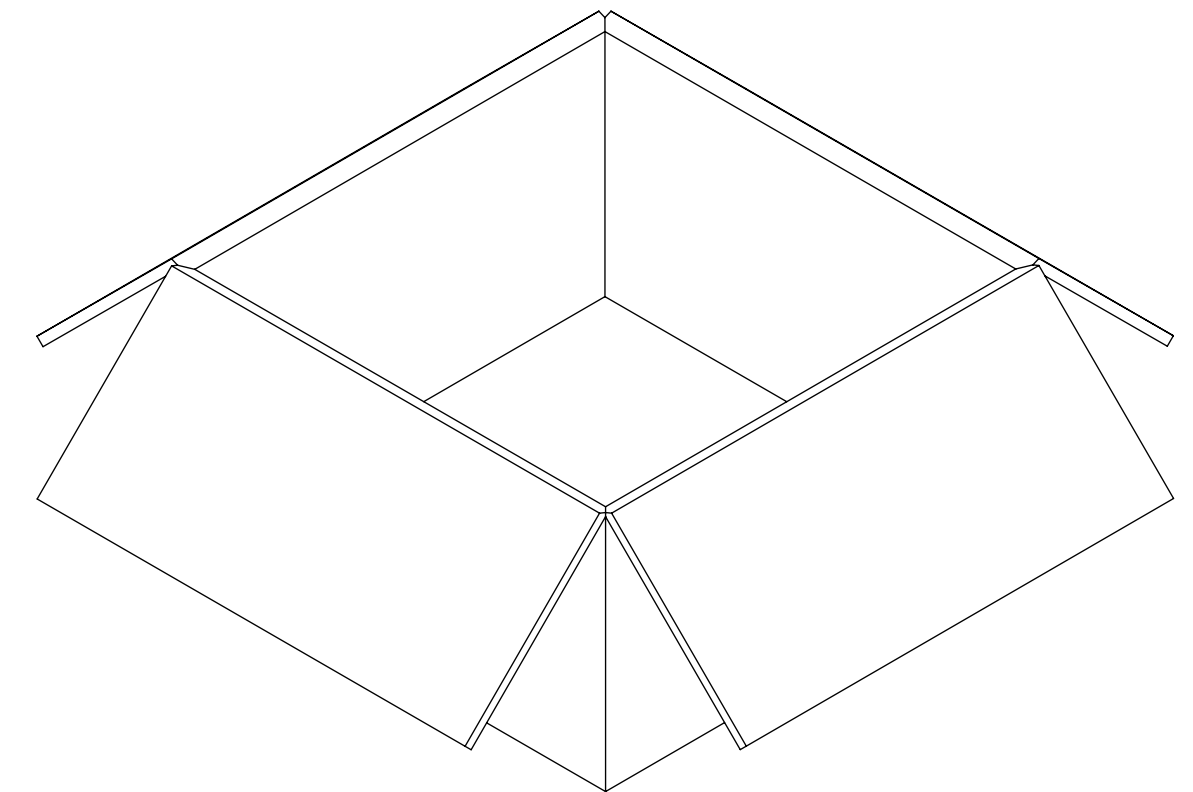
P/N 73415-291*



54 SET PER TRAY
TRAY P/N 89707-0220



648 SET PER INNER
CARTON BOX
P/N 96707-0001



1296 SET PER OUTER
CARTON BOX
P/N 96708-0005

73415-2923	73403-5753
73415-2922	73403-5752
73415-2921	73403-5751
73415-2920	73403-5750
73415-2919	73403-5749
73415-2918	73403-5748
73415-2917	73403-5747
73415-2916	73403-5746
73415-2915	73403-5745
73415-2914	73403-5744
73415-2913	73403-5743
73415-2912	73403-5742
73415-2911	73403-5741
73415-2910	73403-5740
OBSOLETE P/N	ALTERNATIVE P/N

REPLACEMENT PART NUMBERS

QUALITY SYMBOLS 	THIS DRAWING CONTAINS INFORMATION THAT IS PROPRIETARY TO MOLEX ELECTRONIC TECHNOLOGIES, LLC AND SHOULD NOT BE USED WITHOUT WRITTEN PERMISSION												
	SEE ECM EC NO: 123281 DRWN: BBHARADWAJD CHK'D: BBHARADWAJD REV / APPR: AROBERTSON	2017/10/09		2017/11/14		2017/11/14		GENERAL TOLERANCES (UNLESS SPECIFIED)		DIMENSION UNITS		SCALE	
										MM		DATE	
		4 PLACES		±		±				MM		INCH	
		3 PLACES		±		± 0.01				DRWN BY		DATE	
		2 PLACES		± 0.25		±				BBHARADWAJD		2017/10/13	
	1 PLACES		±		±				CHK'D BY		DATE		
	0 PLACES		±		±				SSH AH		2004/09/23		
									APPR BY		DATE		
									JWIENER		2004/09/24		
								ANGULAR TOL ± 2.0		DRAWING SIZE		THIRD ANGLE PROJECTION	
								DRAFT WHERE APPLICABLE MUST REMAIN WITHIN DIMENSIONS		C			
								B5				SMB PLUG, FAKRA RG174,187,188,316 CABLE, SMB-JC, EWR-11422	
										PRODUCT CUSTOMER DRAWING SERIES: 73415 MATERIAL NUMBER: SEE TABLE CUSTOMER:		DOCUMENT NUMBER: SD-73415-291 DOC TYPE: PSD DOC PART: 001 SHEET NUMBER: 3 OF 3	