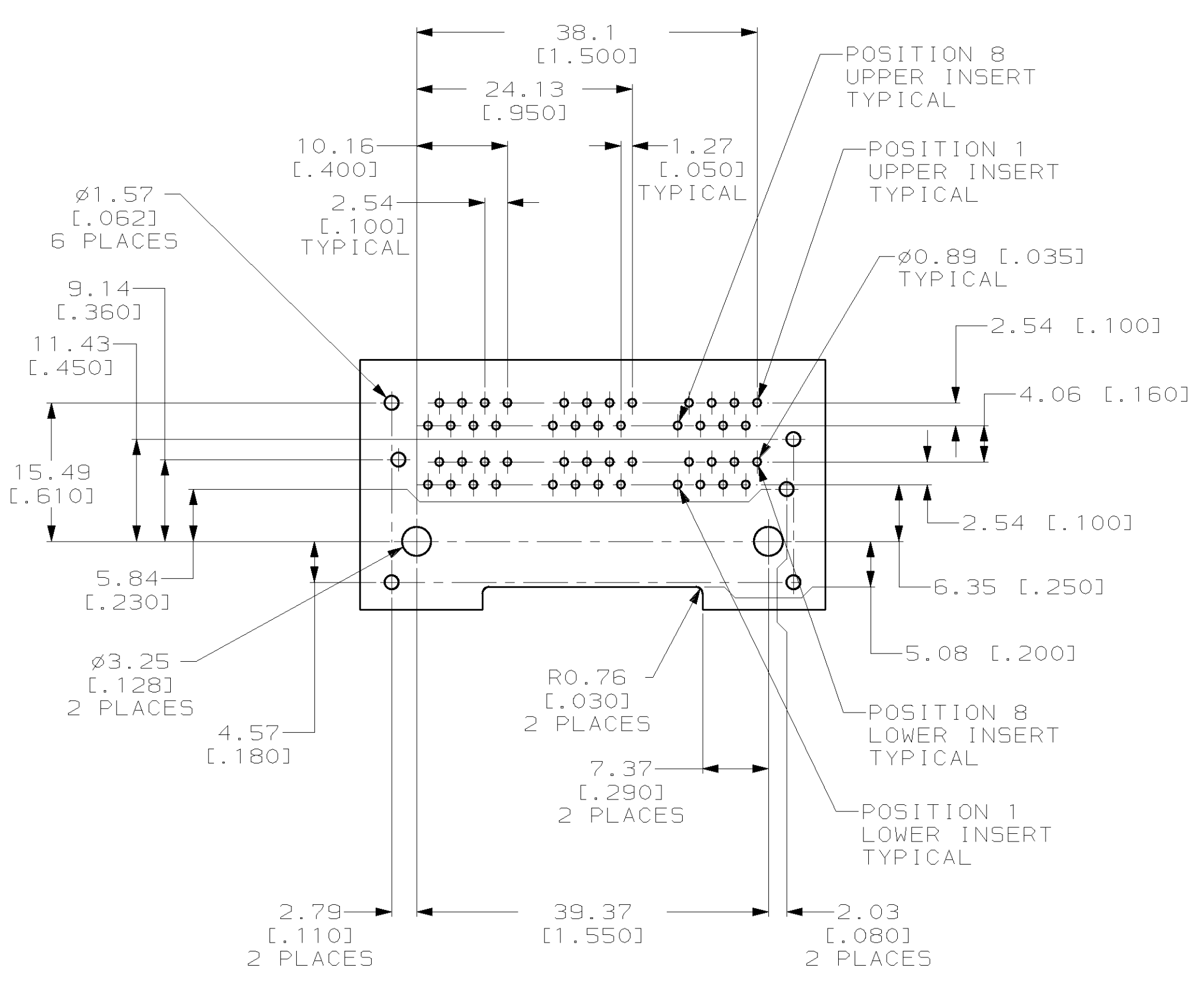
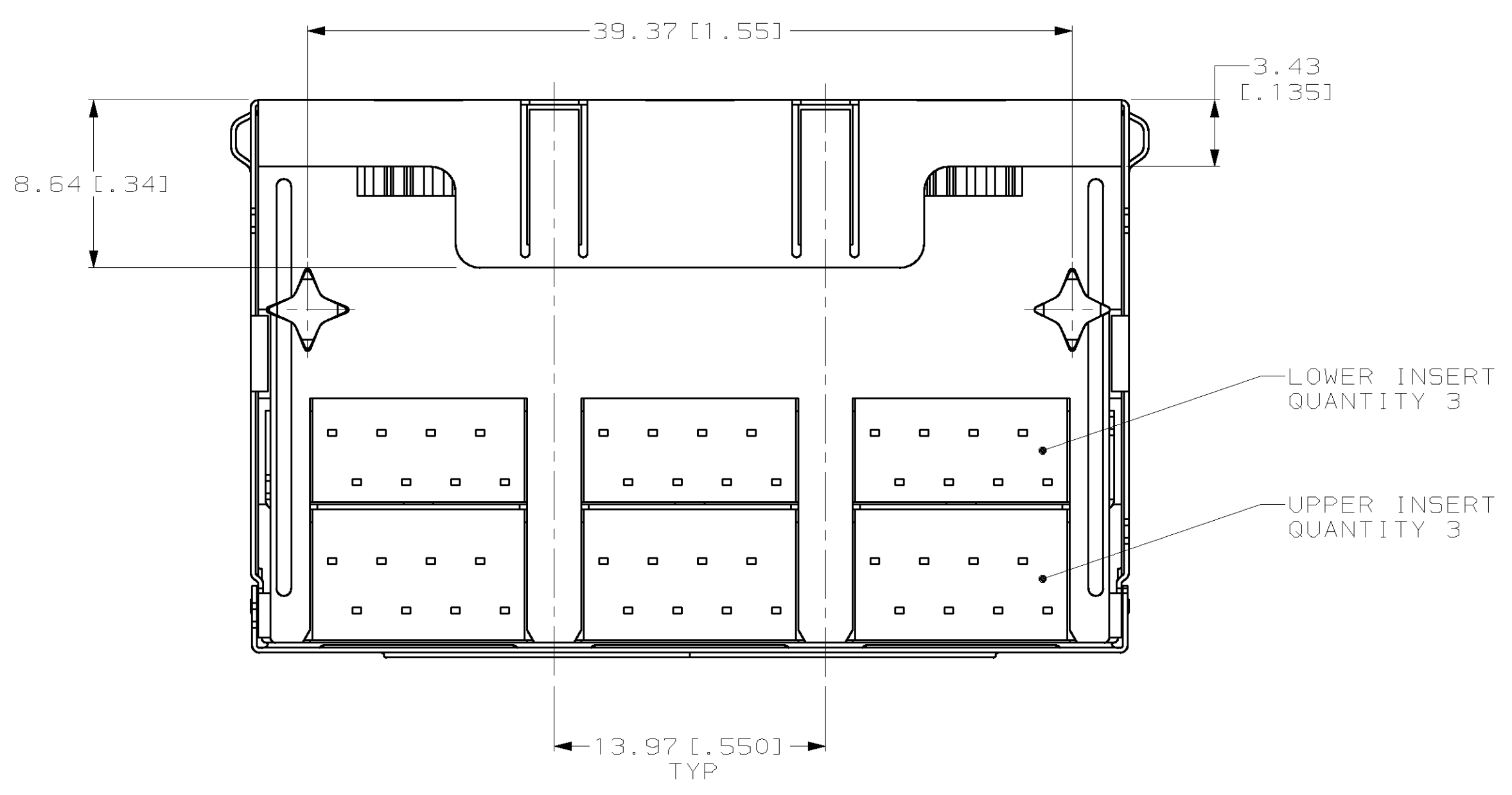
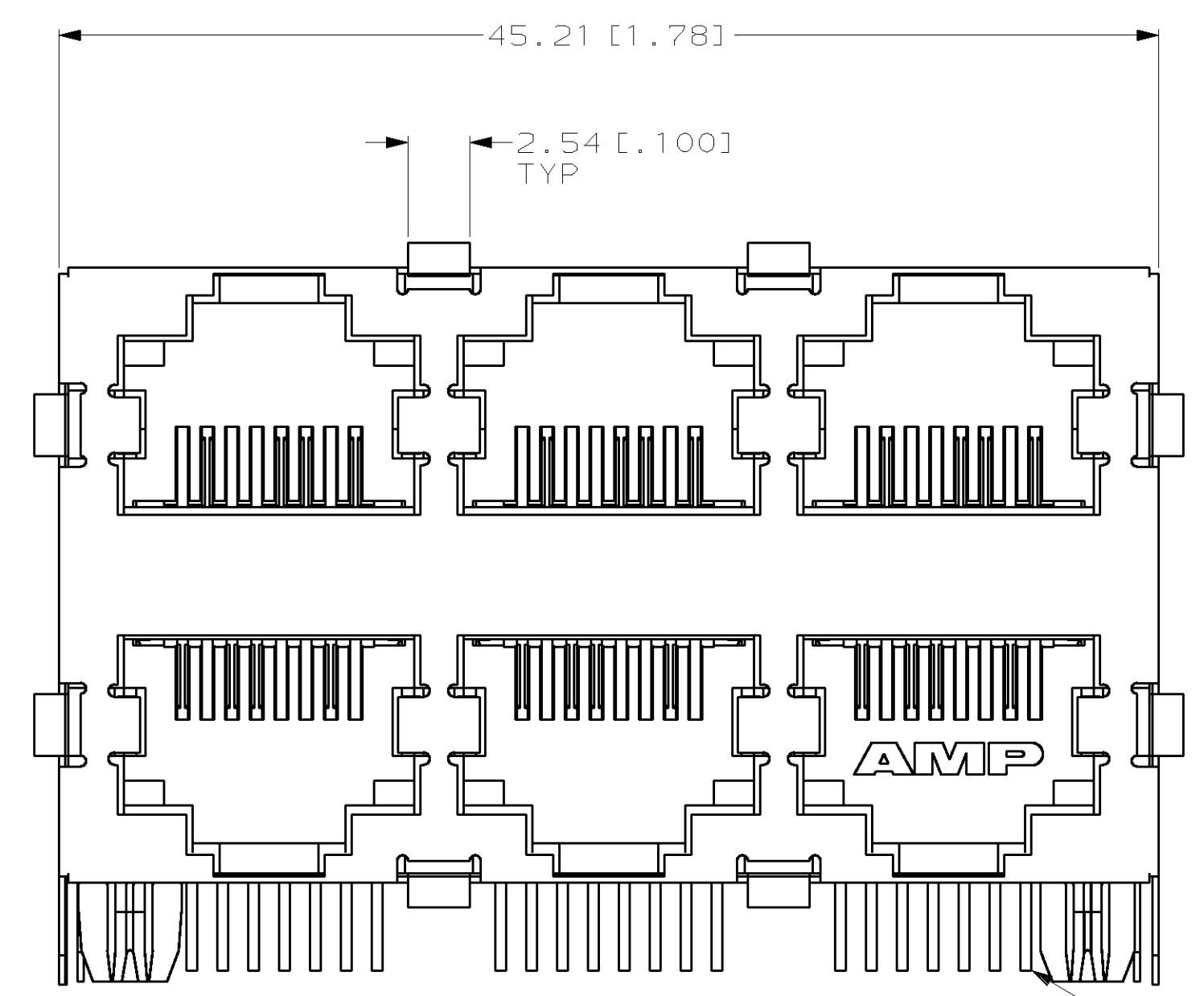
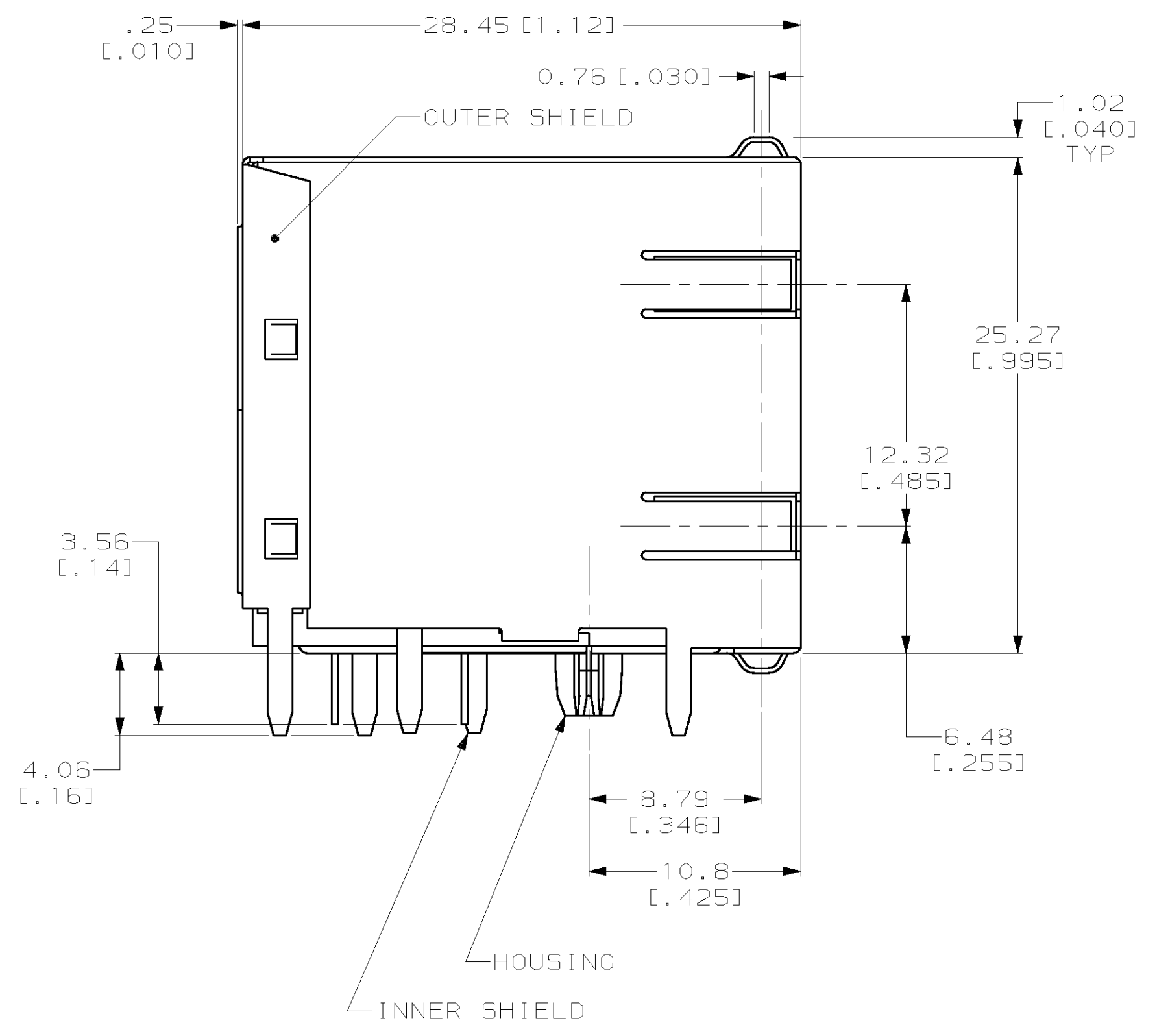
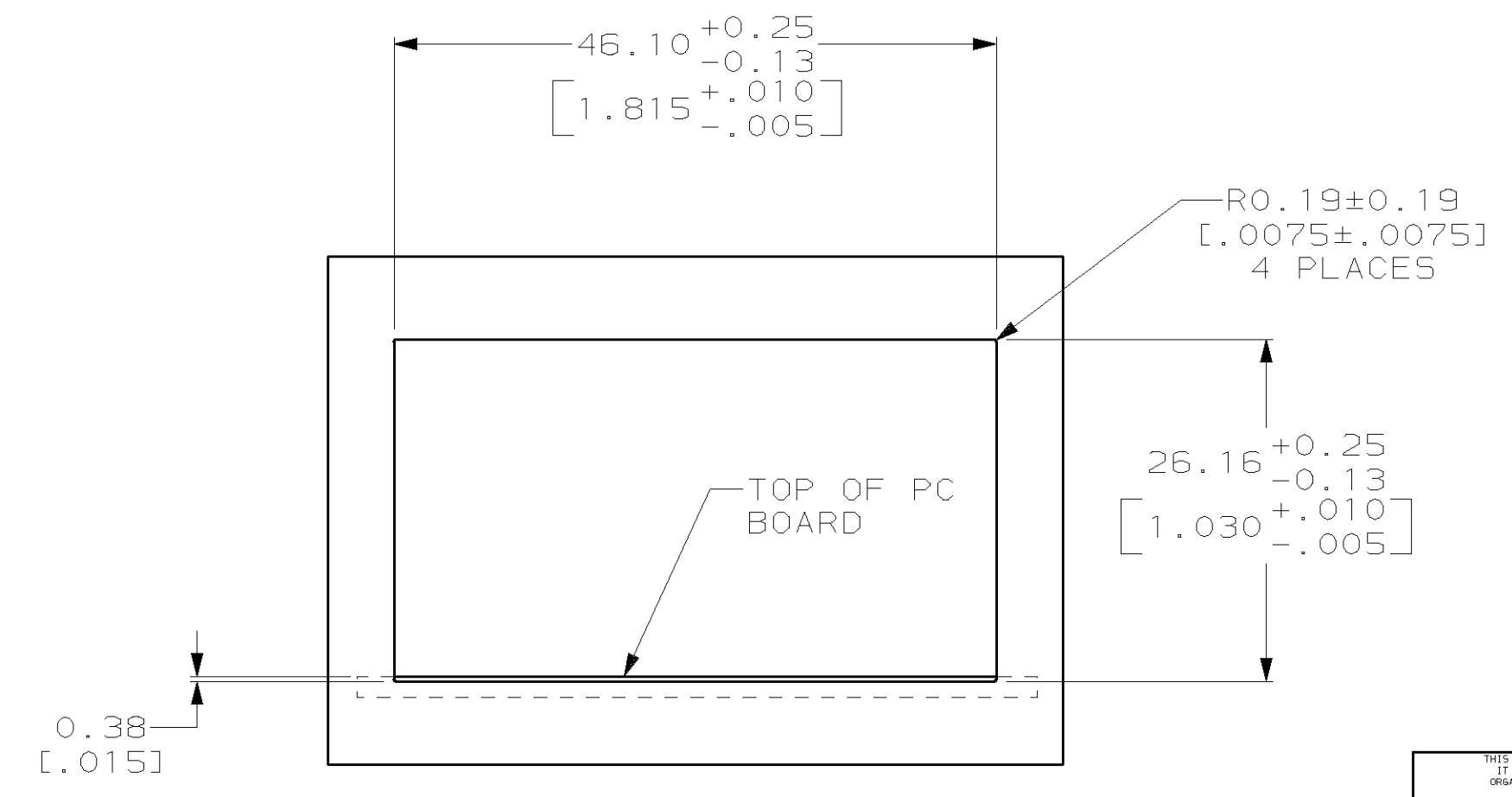


LOC	DIST	REV	DATE	OWN	APPROV
AA	22	E	REV; EC 067A-0140-98	18NOV98	DD EL



PC BOARD LAYOUT VIEWED FROM COMPONENT SIDE SCALE 2:1



MATERIAL:
 HOUSING - PCT POLYESTER, BLACK, UL94V-0.
 OVERMOLDED TERMINAL ARRAY - PBT, BROWN.
 TERMINALS - 0.33 [.013] THICK PHOS BRONZE PLATED WITH 1.27µm [.000050] MINIMUM THICK HARD GOLD IN LOCALIZED AREA AND 3.81µm [.000150] MINIMUM THICK TIN-LEAD IN SOLDER AREA OVER 1.27µm [.000050] MINIMUM THICK NICKEL UNDERPLATE.
 SHIELD - 0.25 [.010] THICK COPPER ALLOY PLATED WITH 2.03µm [.000080] MINIMUM THICK TIN-LEAD OVER 2.54µm [.000100] MINIMUM COPPER.

JACK CAVITY CONFORMS TO FCC RULES AND REGULATIONS, PART 68 SUBPART F.

DIMENSIONS: mm [INCHES] TOLERANCES UNLESS OTHERWISE SPECIFIED: 0 PLC ± 1 PLC ± 2 PLC ±0.25 [.010] 3 PLC ±0.13 [.005] 4 PLC ± UNLESS OTHERWISE SPECIFIED		DWN: T. SPRINKLE 6-07-95 CHK: C. WHITT 6-22-95 APVD: J. VARSIK 6-29-95 PRODUCT SPEC: - APPLICATION SPEC: - MATERIAL: - FINISH: - WEIGHT: - CUSTOMER DRAWING	NAME: STACKED MODULAR JACK ASSEMBLY, 2x3 PORT, 8 POSITION, SHIELDED, PANEL GROUND, CATEGORY 5 SIZE: A1 CAGE CODE: 00779 DRAWING NO: C-569261 SCALE: 4:1 SHEET: 1 OF 1 REV: E
--	--	---	--

569261-1
PART NUMBER

AMP AMP Incorporated
Harrisburg, PA 17105-3608