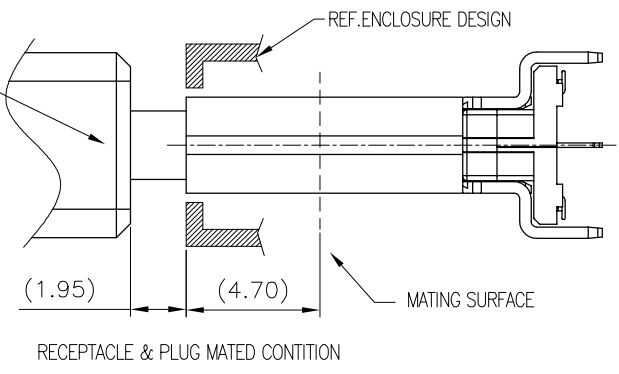


TYPE C PLUG OVER MOLDING



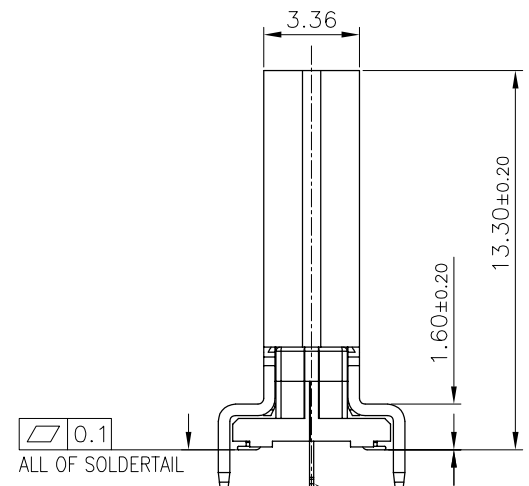
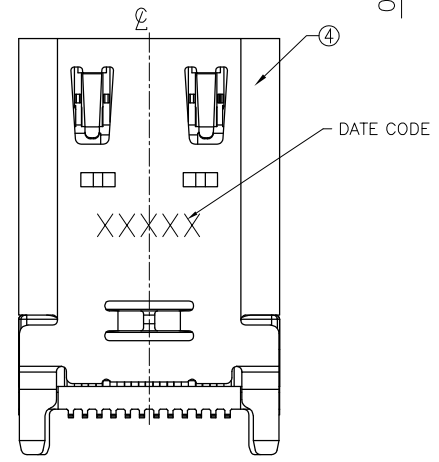
RECEPTACLE & PLUG MATED CONDITION

NOTES:

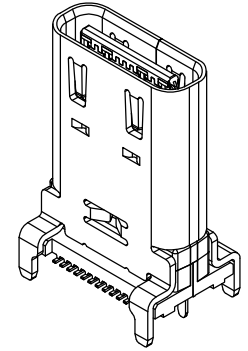
1. MATERIAL:
  - 1.1 HOUSING: THERMOPLASTIC, HIGH TEMP., UL94V-0;
  - 1.2 CONTACT: HIGH CONDUCTIVITY COPPER ALLOY
  - 1.3 MID-PLATE: STAINLESS STEEL
  - 1.4 OUTER SHELL: STAINLESS STEEL
2. FINISH:
  - 2.1 CONTACT:
    2. GOLD FLASH ON CONTACT FOR LEAD FREE.
    - D.30u" Au ON CONTACT FOR LEAD FREE.
    - 80u" NICKEL UNDERPLATING OVERALL.
    - SOLDER TAILS: TIN 60u" MIN. OVER NICKEL.
  - 2.2 MID-PLATE & SHELL :
    - 50u" MIN SOLDERABLE NICKEL UNDERPLATING OVERALL.
3. SPEC. PLS. REFER TO PS-55907-xxxxx-xxx
4. PACKAGE PLS REFER TO 31893-xxxxx-002-PCK
5. PART NUMBER

31893-024 X X-002

NO OF CKT \_\_\_\_\_  
 PACKING 7: TAPE & REEL WITH COVER  
 PLATING D: 30u" Au  
 2: GOLD FLASH

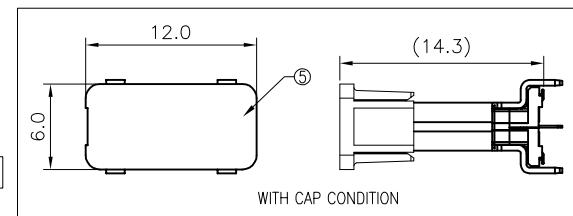
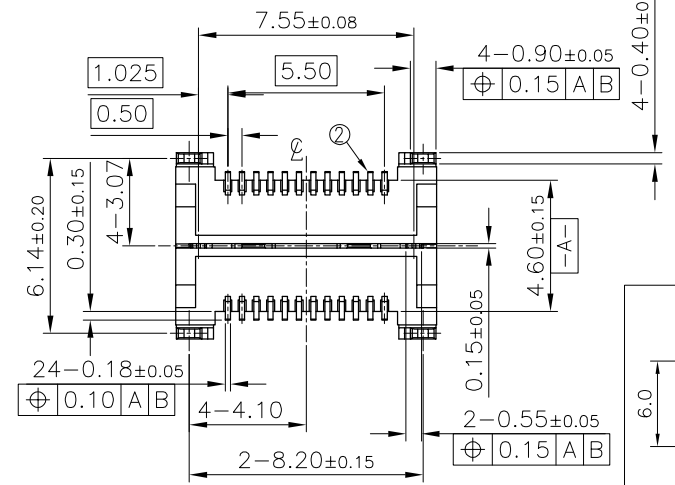


0.1 ALL OF SOLDER TAIL



| ITEM | DESCRIPTION | Q'TY |
|------|-------------|------|
| 5    | CAP         | 1    |
| 4    | SHELL       | 1    |
| 3    | MID-PLATE   | 1    |
| 2    | CONTACT     | 24   |
| 1    | HOUSING     | 1    |

| PIN | SIGNAL NAME | PIN | PIN    | SIGNAL NAME |
|-----|-------------|-----|--------|-------------|
| A12 | GND         | B1  | GND    |             |
| A11 | SSRXp2      | B2  | SSTXp2 |             |
| A10 | SSRXn2      | B3  | SSTXn2 |             |
| A9  | VBUS        | B4  | VBUS   |             |
| A8  | SBU1        | B5  | CC2    |             |
| A7  | Dn1         | B6  | Dp2    |             |
| A6  | Dp1         | B7  | Dn2    |             |
| A5  | CC1         | B8  | SBU2   |             |
| A4  | VBUS        | B9  | VBUS   |             |
| A3  | SSTXn1      | B10 | SSRXn1 |             |
| A2  | SSTXp1      | B11 | SSRXp1 |             |
| A1  | GND         | B12 | GND    |             |



WITH CAP CONDITION

QUALITY SYMBOLS  
 MAJOR Ⓜ  
 CRITICAL Ⓢ  
 GENERAL TOLERANCES (UNLESS SPECIFIED)  
 X. ±0.5  
 .X ±0.25  
 .XX ±0.15  
 .XXX ±0.1  
 ANGLES ±2°

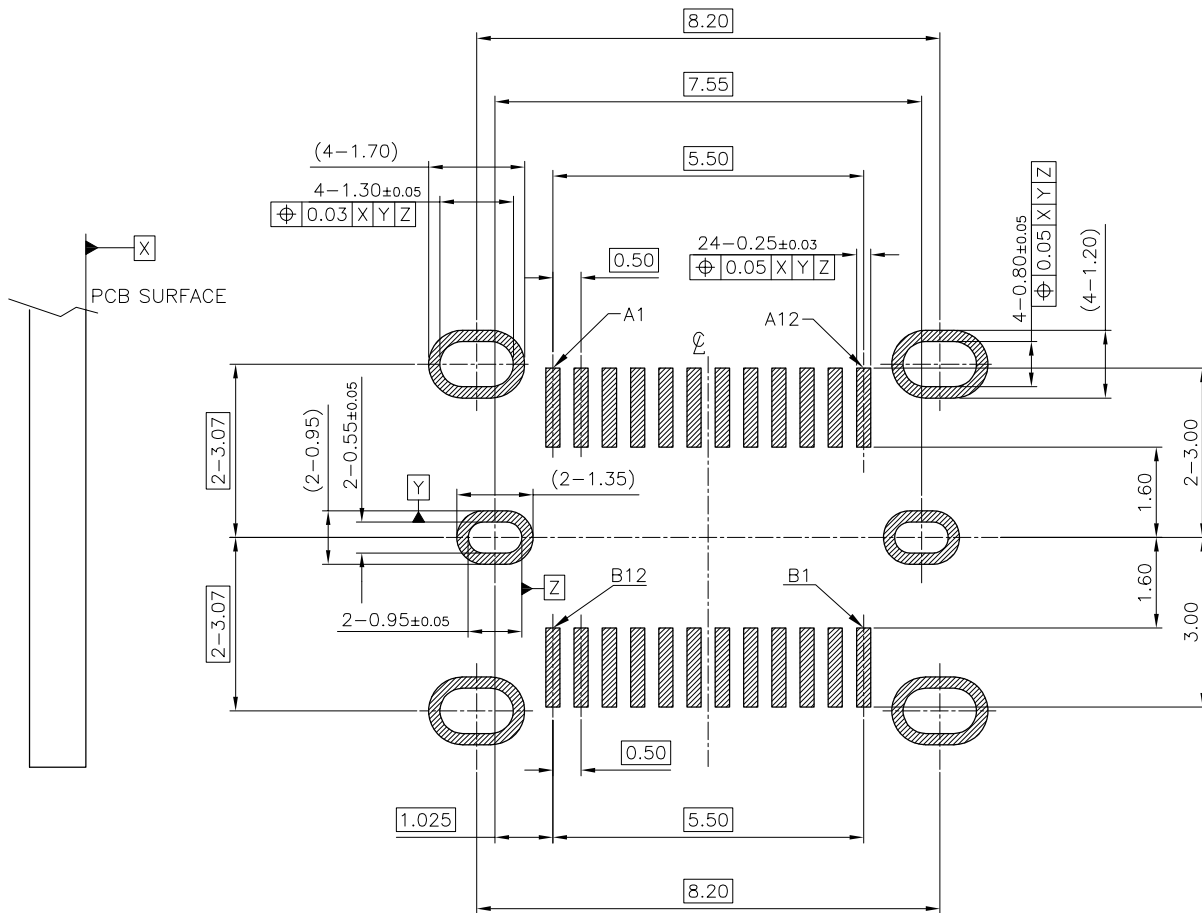
DRAWN BY Hsu, Wei Chun 19/10/28  
 CHECKED BY Chang, Chun Te 19/10/28  
 APPROVED BY Kuo, Rong Hsun 19/10/28

UNITS mm  
 SCALE 4:1  
 SHEET NO. 1 OF 2

**ACES ELECTRONICS**

TITLE: **USB TYPE C REC CONN. VERTICAL TYPE**

SIZE A4 DWG NO. 31893-024XX-002  
 REV B PART NO. SEE NOTES



RECOMMENDED PCBLAYOUT  
TOP VIEW  
SCALE 8:1  
(TOLERANCE=±0.05mm)

- NOTES:
- 1.0 ELECTRICAL CHARACTERISTICS:
  - 1.1 LOW LEVEL CONTACT RESISTANCE:  
INITIAL : 40mΩ FOR ALL CONTACT MAX.  
AFTER : 10mΩ MAX. CHANGE.
  - 1.2 DIELECTRIC WITHSTANDING VOLTAGE :  
100 VAC FOR 1 MINUTE SEA LEVEL.
  - 1.3 INSULATION RESISTANCE :  
100MΩ MIN.
  - 1.4 CURRENT RATING :  
VBUS AND GND CONTACT RATED AT 1.25 A EA .  
PARALLELED FOR A TOTAL OF 5A .
  - 2.0 MECHANICAL CHARACTERISTICS :
  - 2.1 INSERTION FORCE : 5N~20N .
  - 2.2 EXTRACTION FORCE : 8N~20N INITAL , 6N~20N FINAL.
  - 2.3 DURABILITY : 10,000 CYCLES

|  |                               |                  |   |                            |
|--|-------------------------------|------------------|---|----------------------------|
| <b>QUALITY SYMBOLS</b><br>MAJOR Ⓢ<br>CRITICAL Ⓢ  | DRAWN BY<br>Hsu, Wei Chun     | DATE<br>19/10/28 |   |                            |
|  | CHECKED BY<br>Chang, Chun Te  | DATE<br>19/10/28 |   |                            |
| <b>GENERAL TOLERANCES</b><br>(UNLESS SPECIFIED)<br>X. ±0.5<br>.X ±0.25<br>.XX ±0.15<br>.XXX ±0.1<br>ANGLES ±2° | APPROVED BY<br>Kuo, Rong Hsun | DATE<br>19/10/28 | <b>TITLE</b><br>USB TYPE C REC CONN.<br>VERTICAL TYPE |                            |
|  | UNITS<br>mm                   |                  | SIZE<br>A4  | DWG NO.<br>31893-024XX-002 |
| SCALE<br>4 : 1   | SHEET NO.<br>2 OF 2           | REV<br>B         | PART NO.<br>SEE NOTES                                 |                            |