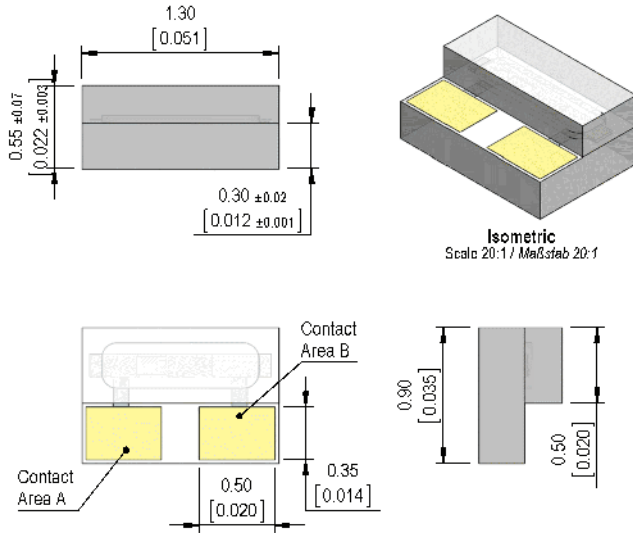


Dimensions mm [inches]

Tolerances acc. to DIN ISO 2768-m
 Toleranzen gem. DIN ISO 2768-m



Warning: This device is especially designed for low voltage and low power sensing! The following points must be respected when the device is connected in a circuit:

- Voltage spikes (electrostatic or otherwise) across the terminals in the open mode are limited to 10 V.
- Switched voltages and current are limited to the maximum ratings.
- The parallel capacitance added across the switch is less than 100 pF.
- Minimize stray capacitance to be less than 100 pF in any lead circuit.
- The mounting and test equipment are properly grounded, as they may induce voltage spikes across the terminals.
- All handling is performed on a conductive mat and the operator is also grounded through a wrist contact bracelet.
- Permanent sticking or damage of the contacts may result whenever any of the above warnings are not respected.

| Magnetic properties | Conditions | Min | Typ | Max | Unit |
|---------------------------------------|---|--------|-----|------|------|
| Pull-In in milliTesla (modified conta | MS150 - phys. caused tolerance +/- 0,1mT | 2.2 | | 5.25 | mT |
| Drop-Out in milliTesla (modified co | MS150 - phys. caused tolerance +/- 0,1mT | 1.76 | | 4.73 | mT |
| Hysteresis (Reference value) | Reed switch unmodified measured in coil- "define operation" | 0.6 | | 0.9 | |
| Test equipment | | MS-150 | | | |

| Contact Data | Conditions | Min | Typ | Max | Unit |
|---------------------------|---|-----|-----|-------|------|
| Contact rating | Any DC combination of V & A not to exceed their individual max.'s | | | 0.3 | mW |
| Switching voltage | | 0.5 | | 3 | VDC |
| Switching current | DC or Peak AC | | | 100 | µA |
| Carry current | DC or Peak AC | | | 100 | µA |
| Contact resistance static | Measured with 40% overdrive Start Value | | 50 | 1,000 | Ohm |
| Insulation resistance | RH <45 %, 30 V test voltage | 1 | | | GOhm |
| Breakdown voltage | according to IEC 255-5 | 50 | | | VDC |
| Operate time incl. bounce | measured with 40% overdrive | | | 0.2 | ms |
| Release time | | | | 0.1 | ms |
| Capacity | @ 10 kHz across open switch | | | 0.3 | pF |

| Special Product Data | Conditions | Min | Typ | Max | Unit |
|----------------------|---------------------|------------------------------------|-----|-----|--------|
| Life Expectancy | Under 1.5V and 15µA | 1,000,000 | | | cycles |
| Remarks | | Contact pads: 0.05µm Cr + 0.4µm Au | | | |

| Environmental data | Conditions | Min | Typ | Max | Unit |
|-----------------------------|-----------------------------|-----|-----|-------|------|
| Shock | 1/2 sine wave duration 11ms | | | 5,000 | g |
| Vibration | from 10 - 2000 Hz | | | 30 | g |
| Operating temperature | | -20 | | 100 | °C |
| Storage temperature | | -55 | | 150 | °C |
| Soldering Temperature Tsold | 3.5 sec. at | | | 260 | °C |