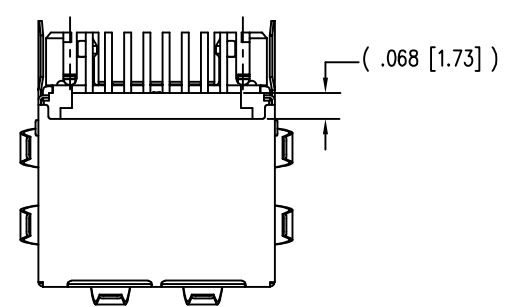
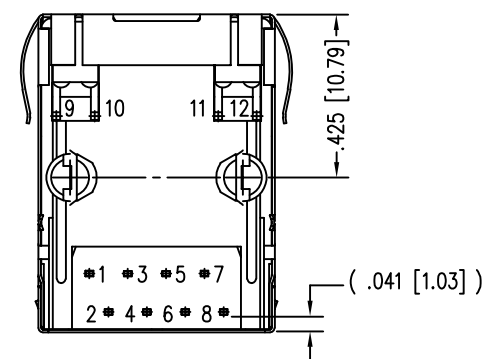
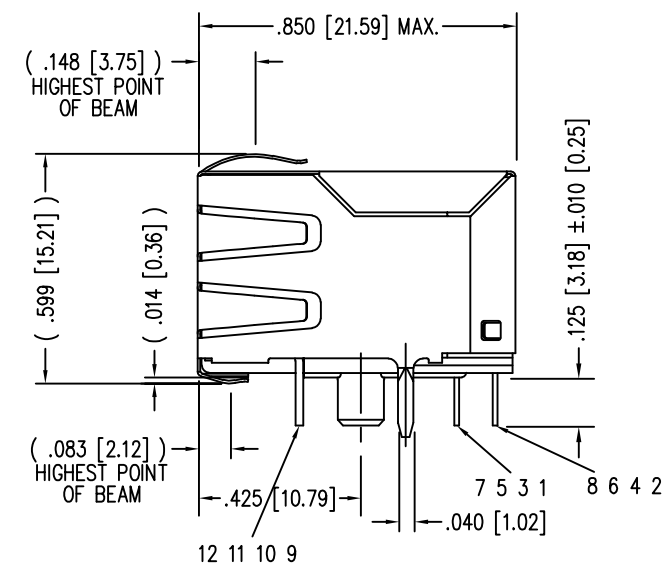
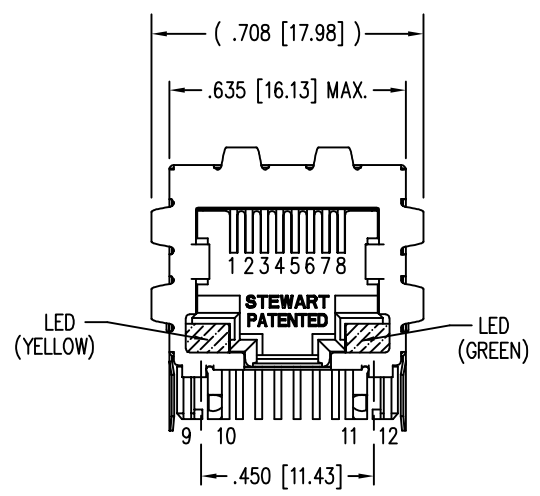
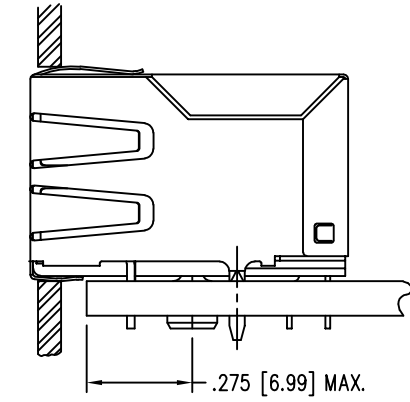
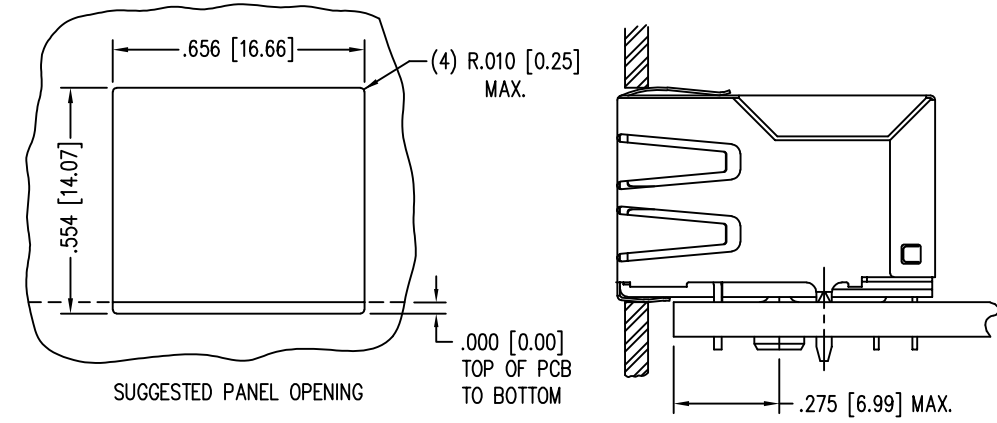


| DATE | REV | ECN | APP'D. BY |
|---------|-----|-------|-----------|
| 11-2-16 | A7 | 10808 | TRM |
| 4-4-17 | A8 | 10966 | TRM |
| | | | |
| | | | |



- NOTES:
- CONNECTOR MATERIALS:
HOUSING: THERMOPLASTIC UL94 V-0
CONTACTS/SHIELD: COPPER ALLOY
SHIELD PLATING: NICKEL OR "REFLOW" TIN
CONTACT PLATING: SELECTIVE GOLD OR EQUIVALENT IN THE CONTACT AREA
SEE CHART FOR PART NUMBER
 - FOR PRODUCT SPECIFICATIONS SEE PRO2X-01.
 - DIMENSIONS AND TOLERANCES COMPLY WITH TIA-1096 STANDARD.
 - THE SUGGESTED PANEL OPENING IS INTENDED TO GIVE USER THE ABILITY TO HAVE REASONABLE JACK/PANEL CLEARANCES, YET MAINTAIN GROUNDING CAPABILITY. THESE VARIABLES CAN BE ADJUSTED IN EITHER DIRECTION BUT MAY CARRY SOME CONSEQUENCES IN THE FORM OF LOWER MATING FORCES OR TIGHTER ASSEMBLY TOLERANCES.

| | |
|--------------------------------|--------------------|
| 30 MICRO-INCHES [0.76um] | SS-7488S-YG-PG4-BA |
| CONTACT PLATING IN MATING AREA | PART NUMBER |

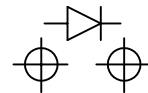
| | |
|--|---|
| THIRD ANGLE PROJECTION | 1118 Susquehanna Trail South Glen Rock, PA 17327-9199 (717) 235-7512 http://www.stewartconnector.com |
| DO NOT SCALE DRAWING DRAWING IS SUBJECT TO CHANGE WITHOUT NOTICE | |
| DIMENSIONS: INCHES [METRIC] | TITLE: EMI-RFI ONE PIECE SHIELDED, ESD GROUNDED SINGLE PORT LED JACK |
| UNLESS OTHERWISE SPECIFIED TOLERANCES ARE ±.005 [0.13] ANGLES ARE ± 1° | DRN BY: KRL DATE: 2/3/06 |
| SHEET NO. 1 OF 2 | APPD BY: JM DATE: 2-9-06 |
| | DWG NO. CT740020 REV. A8 |



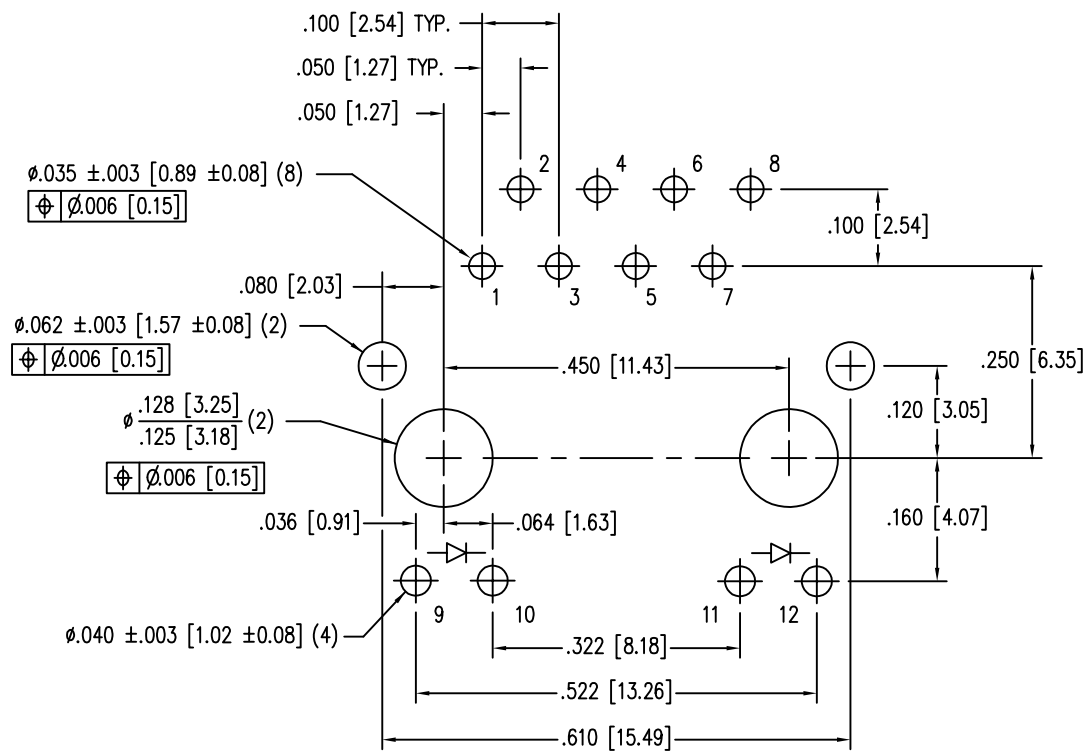
| LED SPECIFICATION | | | |
|-------------------|------------|-----------------|--------|
| STANDARD LED | WAVELENGTH | FORWARD V (MAX) | *(TYP) |
| YELLOW | 590 nm | 2.5 V | 2.1 V |
| GREEN | 565 nm | 2.5 V | 2.2 V |

*WITH A FORWARD CURRENT OF 20 mA (TYP)

LED POLARITY
(ENLARGED VIEW)

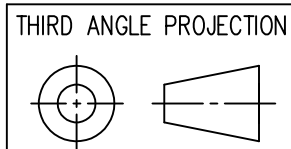


SINGLE COLOR LED




P.C.B. RECOMMENDED HOLE LAYOUT
SEEN FROM COMPONENT SIDE

ALL CENTERLINE DIMENSIONS ARE BASIC.



THIRD ANGLE PROJECTION
DO NOT SCALE DRAWING
DRAWING IS SUBJECT TO
CHANGE WITHOUT NOTICE
DIMENSIONS: INCHES [METRIC]
UNLESS OTHERWISE SPECIFIED
TOLERANCES ARE ±.005 [0.13]
ANGLES ARE ± 1°
SHEET NO. 2 OF 2



stewart
CONNECTOR
a bel group

11118 Susquehanna Trail South
Glen Rock, PA 17327-9199
(717) 235-7512
<http://www.stewartconnector.com>

| | |
|--|-------------|
| TITLE: EMI-RFI ONE PIECE SHIELDED, ESD GROUNDED SINGLE PORT LED JACK | |
| DRN BY: KRL | DATE 2/3/06 |
| APPD BY: JM | DATE 2-9-06 |
| DWG NO. CT740020 | REV. A8 |