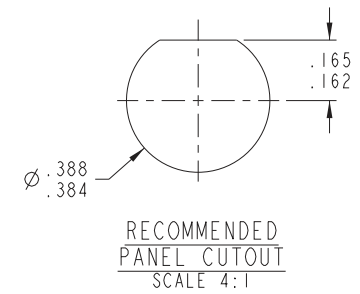
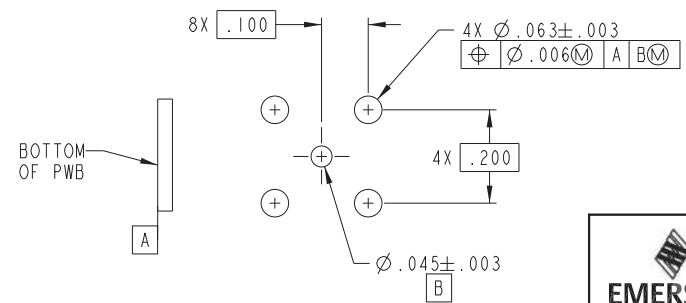
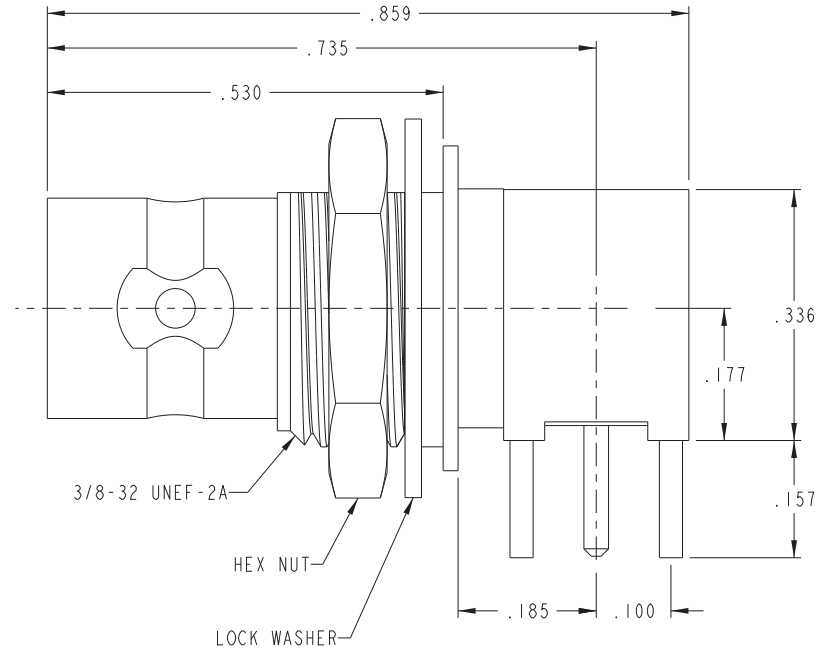
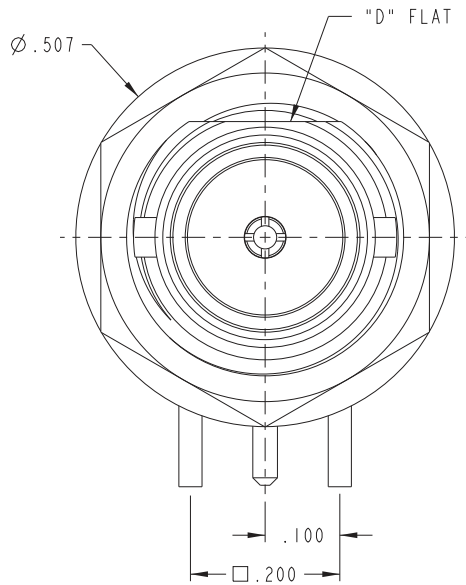


ZONE	REV	ECO	DESCRIPTION	APPROVER	DATE
	B	16804		L. MEIER	1/21/09
	C	54070		C. MONAHAN	2/24/12



NOTES: UNLESS OTHERWISE SPECIFIED.

1. 75Ω FOUR POST RIGHT-ANGLE BULKHEAD CIRCUIT BOARD MOUNT MINI BNC RECEPTACLE.
2. MAXIMUM PANEL THICKNESS .125

RECOMMENDED MOUNTING HOLE PATTERN SCALE 5/1

	MODEL NO.	6-0008		TITLE	UCBBJR250	MATERIAL	
		CAGE CODE		14949			
<small>THIS PROPRIETARY DOCUMENT IS PROPERTY OF EMERSON NETWORK POWER CONNECTIVITY SOLUTIONS. IT IS CONFIDENTIAL IN NATURE, NON-TRANSFERABLE, AND ISSUED WITH A CLEAR UNDERSTANDING THAT IT IS NOT TO BE REPRODUCED OR COPIED WITHOUT PERMISSION AND IS RETURNABLE UPON DEMAND.</small>		<small>UNLESS OTHERWISE SPECIFIED</small> UNITS: INCH .XX ± .02 .XXX ± .010 .XXXX ± .001 ANGLE ± 1° 00'	DRAWN BY C. WALLACE	DATE 3/27/12	DRAWING NO. 6-0008	REV. C	FINISH
		APPROVED BY C. MONAHAN	DATE 3/28/12	SIZE C	DO NOT SCALE DRAWING	SCALE 8:1	SHEET 1 OF 2