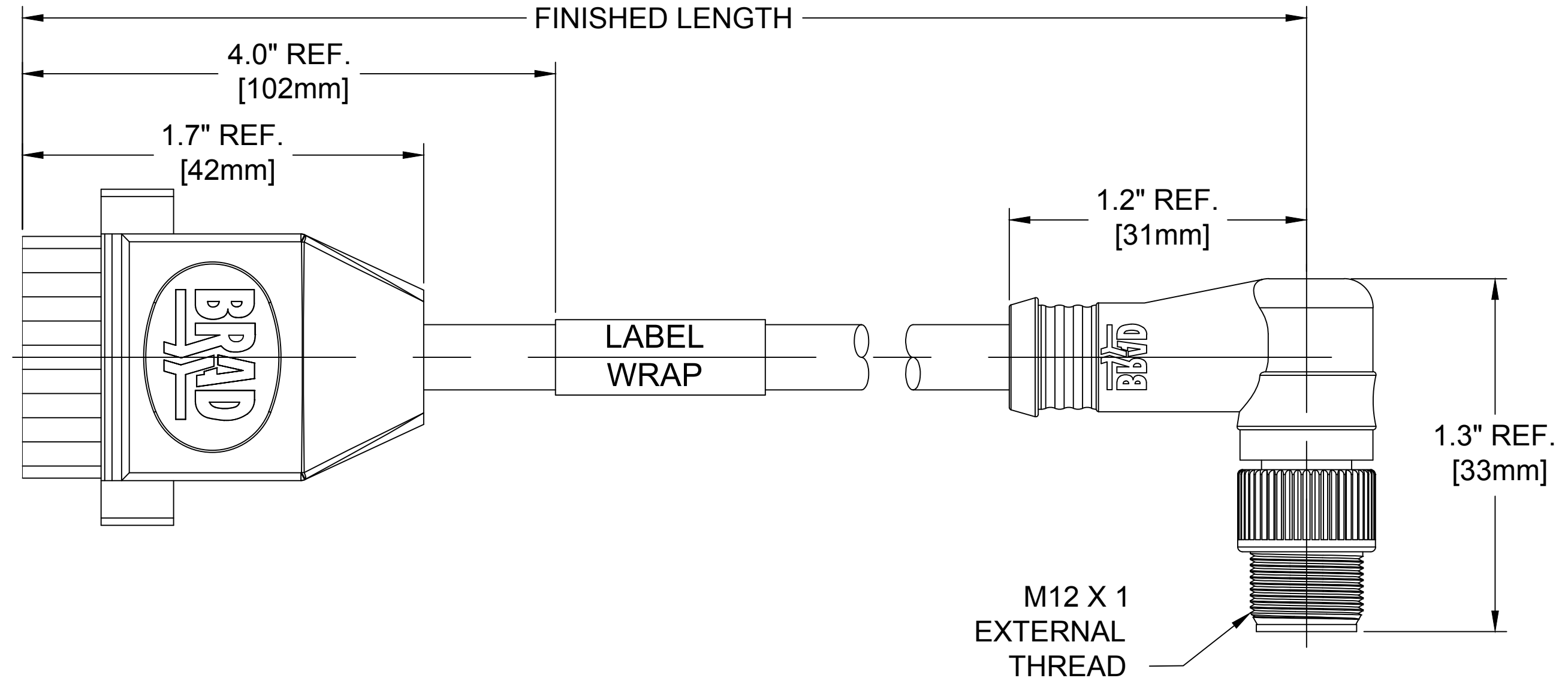
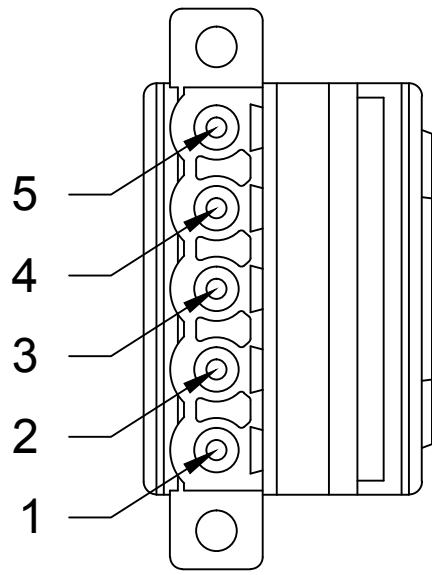
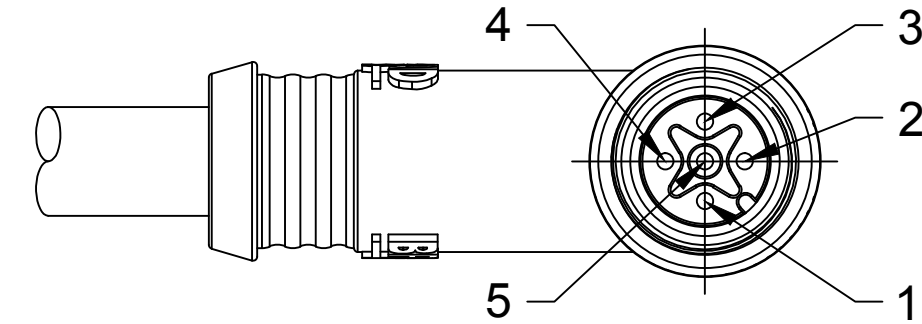


13	12	11	10	9	8	7	6	5	4	3	2	1
MATERIAL NUMBER		ENGINEERING NUMBER		FINISHED LENGTH								
1300390549		DNDF43A-M010		1M +55.6mm -0 [3.3FT +2.2IN -0]								

FEMALE FACE VIEW



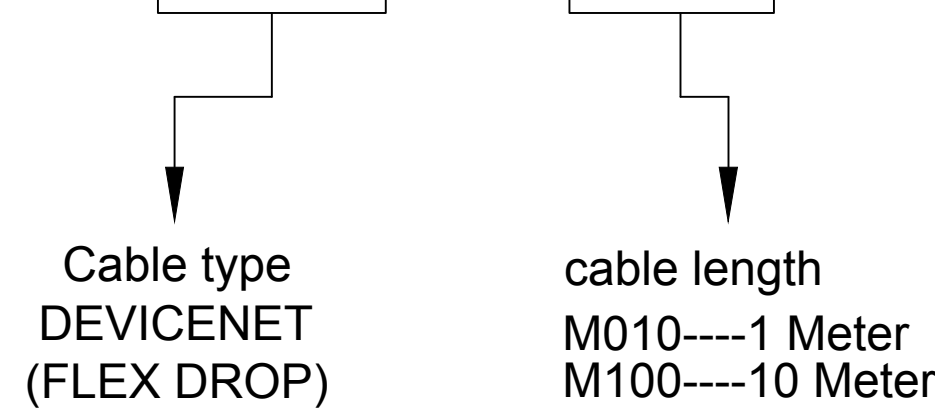
MALE FACE VIEW



SPECIFICATION DATA

ELECTRICAL DATA: MAX. VOLTAGE: 250 VAC MAX. CURRENT: 4 AMPS		
ENVIRONMENTAL: PROTECTION IP20 TEMPERATURE RANGE: -20°C TO 80°C		
CERTIFICATIONS: cCSAus FILE: LR6837 ASSEMBLY IS RoHS COMPLIANT.		
LABEL	PLASTIC FILM	YELLOW
OVERMOLD	TPE	GRAY
COUPLING NUT	ZINC DIE-CAST	BLACK E-COAT
INSERT	NYLON	BLACK
CONTACT	COPPER ALLOY	GOLD PLATING
D-NET OPEN CONNECTOR	POLYAMIDE	GRAY
CABLE # 22/2 & #24/2 + DRAIN	TPE JACKET	GRAY
DESCRIPTION	MATERIAL	FINISH

DNDF43A-M010



WIRING DIAGRAM

FEMALE		3 DRAIN	1	MALE	
		5 RED	2		
		1 BLACK	3		
		4 WHITE	4		
		2 BLUE	5		

RELEASE EC NO: IFC2014-0701 DRWN: GGUSTAFS 2013/10/17 CH'KD: BARDEN APPR: BWOODMAN 2013/10/21 REV	QUALITY SYMBOL	GENERAL TOLERANCES (UNLESS SPECIFIED)		DIMENSION STYLE IN/MM		SCALE NTS	DESIGN UNITS INCH	THIRD ANGLE PROJECTION	
	▽=0	4 PLACES	mm	INCH	DRAWN BY DATE	TITLE			
	∇=0	3 PLACES	±---	±---	GGUSTAFS 2013/10/17	MICRO-CHANGE TO OPEN			
		2 PLACES	±0.13	±0.010	CHECKED BY DATE	5P MA 90 TO FE OPEN			
		1 PLACE	±0.25	±0.020	BARDEN 2013/11/11	DEVICENET FLEX DROP			
		ANGULAR ±.5°		APPROVED BY DATE	MOLEX INCORPORATED				
		DRAFT WHERE APPLICABLE MUST REMAIN WITHIN DIMENSIONS		BWOODMAN 2013/10/21	MATERIAL NO. SEE CHART		DOCUMENT NO. SD-130039-059	SHEET NO. 1 OF 1	
				SIZE C	THIS DRAWING CONTAINS INFORMATION THAT IS PROPRIETARY TO MOLEX INCORPORATED AND SHOULD NOT BE USED WITHOUT WRITTEN PERMISSION				