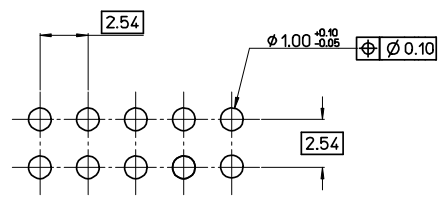
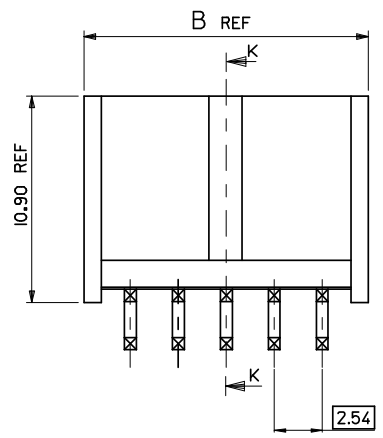
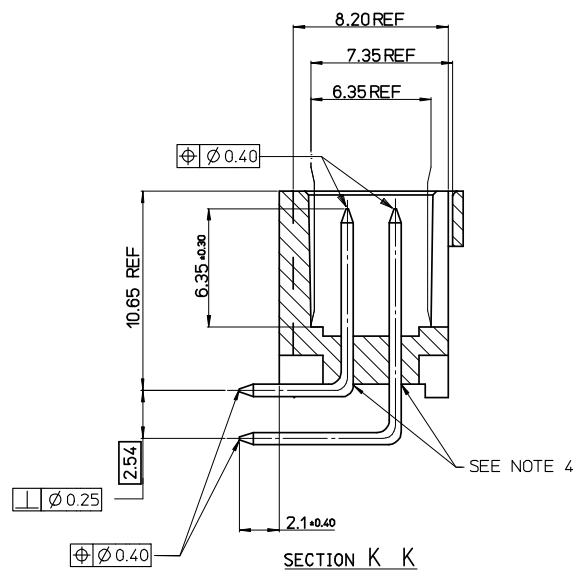


VERSION FULLY LOADED



RECOMENDEC P.C. BOARD HOLE PATTERN



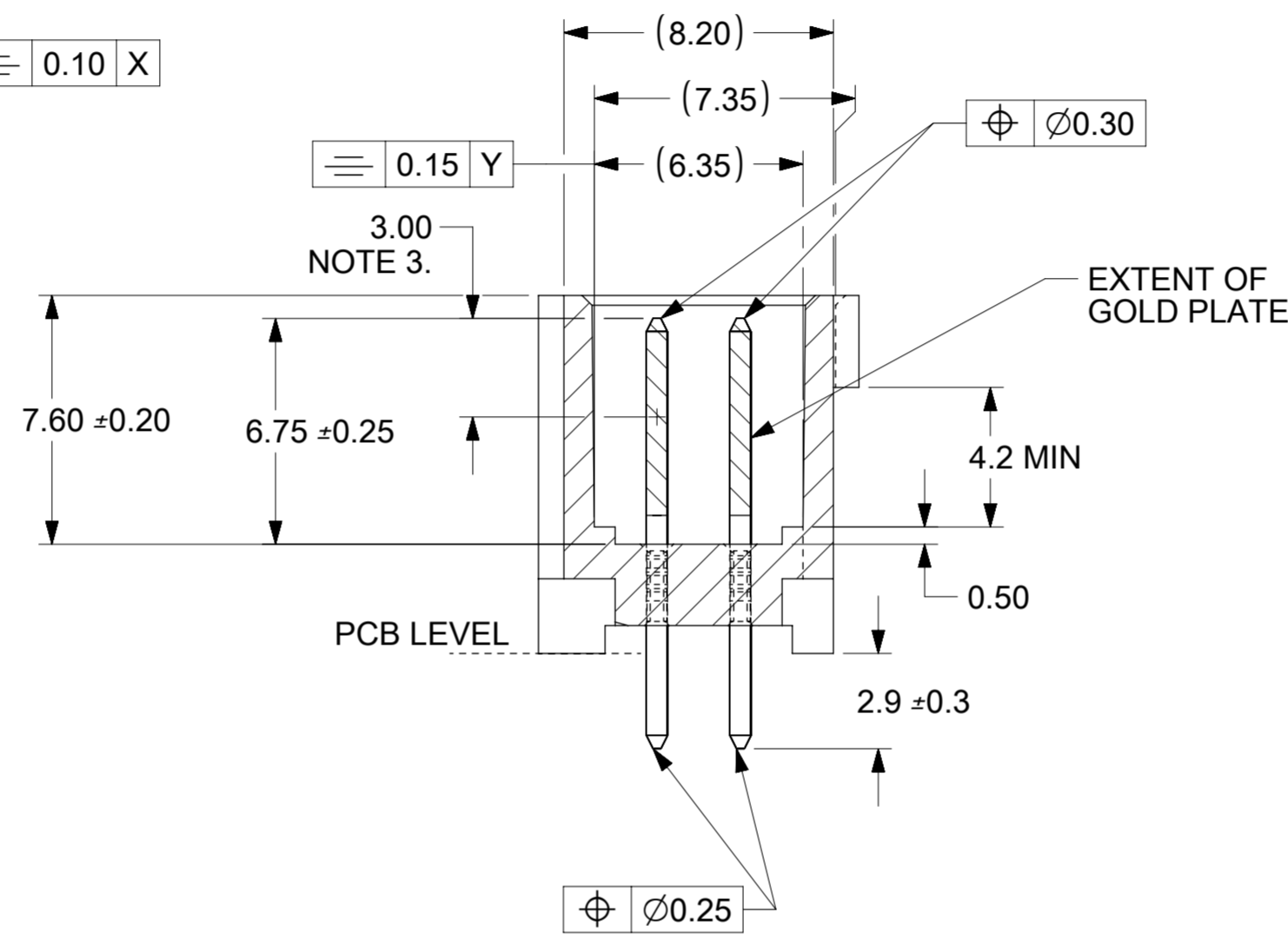
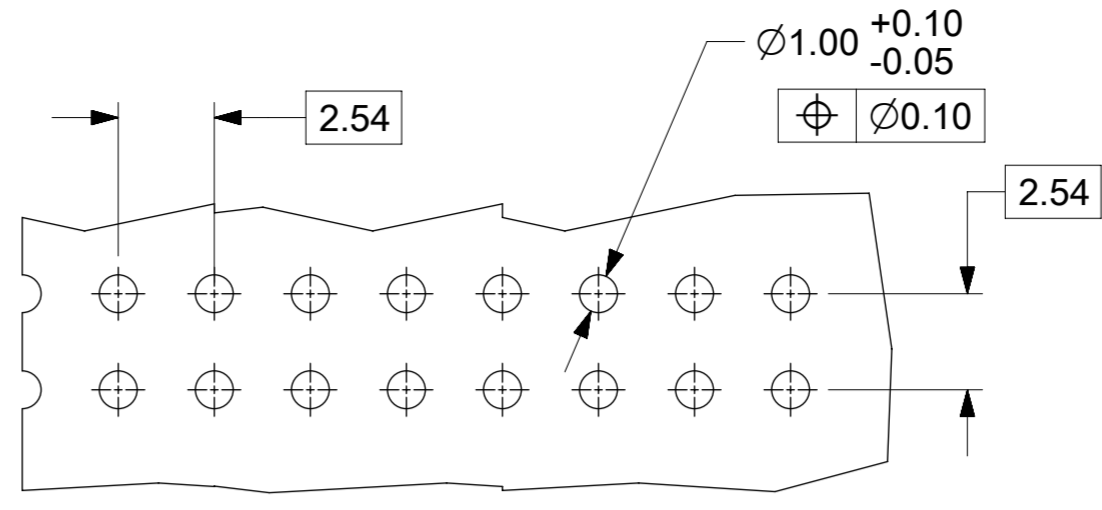
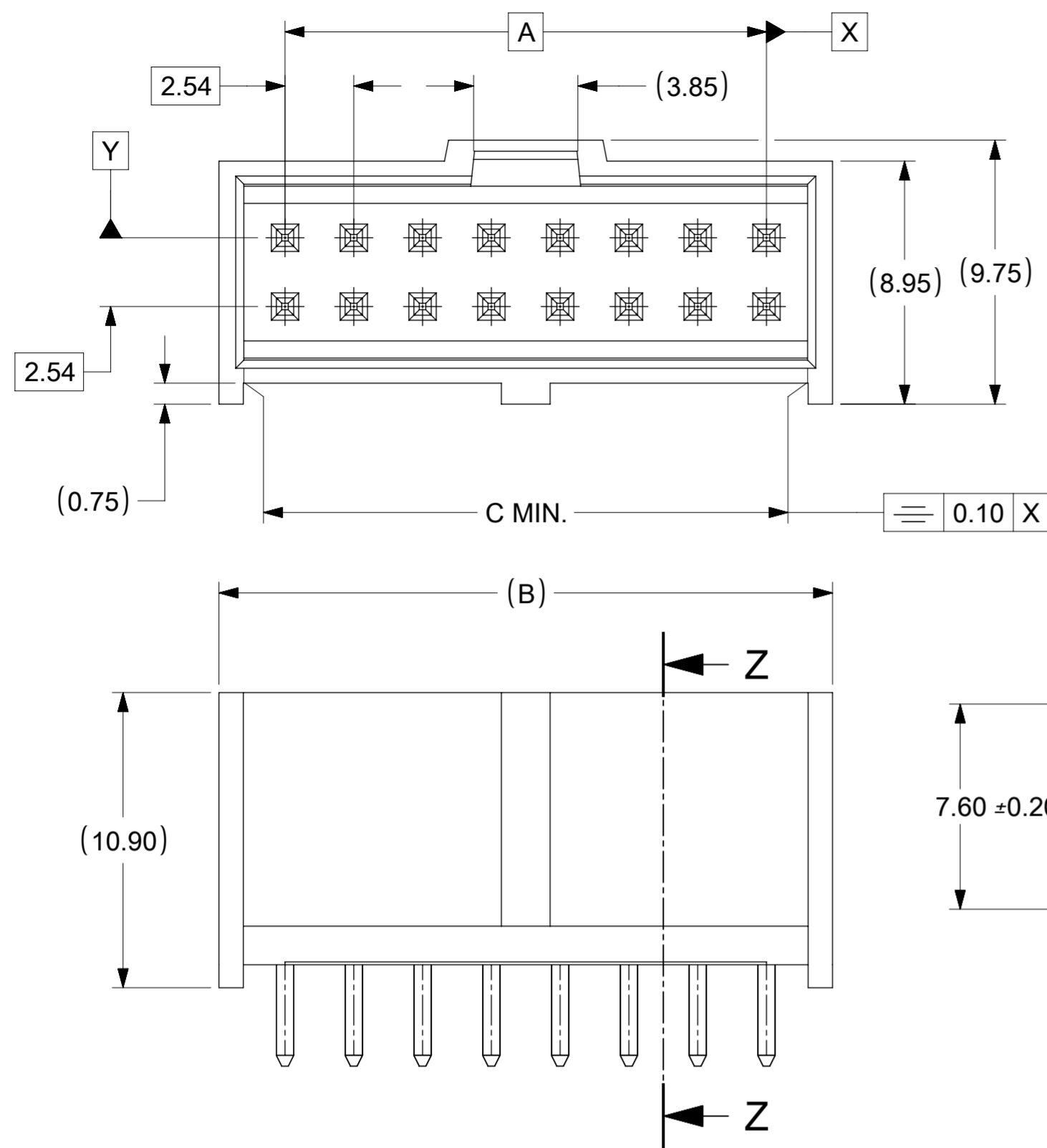
SECTION K K

HSG CKT SIZE	PART NUMBER	DIM A	DIM B
6	91814-3106	5.08	9.96
8	91814-3108	7.62	12.50
10	91814-3110	10.16	15.04
12	91814-3112	12.70	17.58
14	91814-3114	15.24	20.12
16	91814-3116	17.78	22.66
18	91814-3118	20.32	25.20
20	91814-3120	22.86	27.74
22	91814-3122	25.40	30.28
24	91814-3124	27.94	32.82
26	91814-3126	30.48	35.36
28	91814-3128	33.02	37.90
30	91814-3130	35.56	40.44
32	91814-3132	38.10	42.98
34	91814-3134	40.64	45.52
36	91814-3136	43.18	48.06
38	91814-3138	45.72	50.60
40	91814-3140	48.26	53.14
42	91814-3142	50.80	55.68
44	91814-3144	53.34	58.22
46	91814-3146	55.88	60.76
48	91814-3148	58.42	63.30
50	91814-3150	60.96	65.84

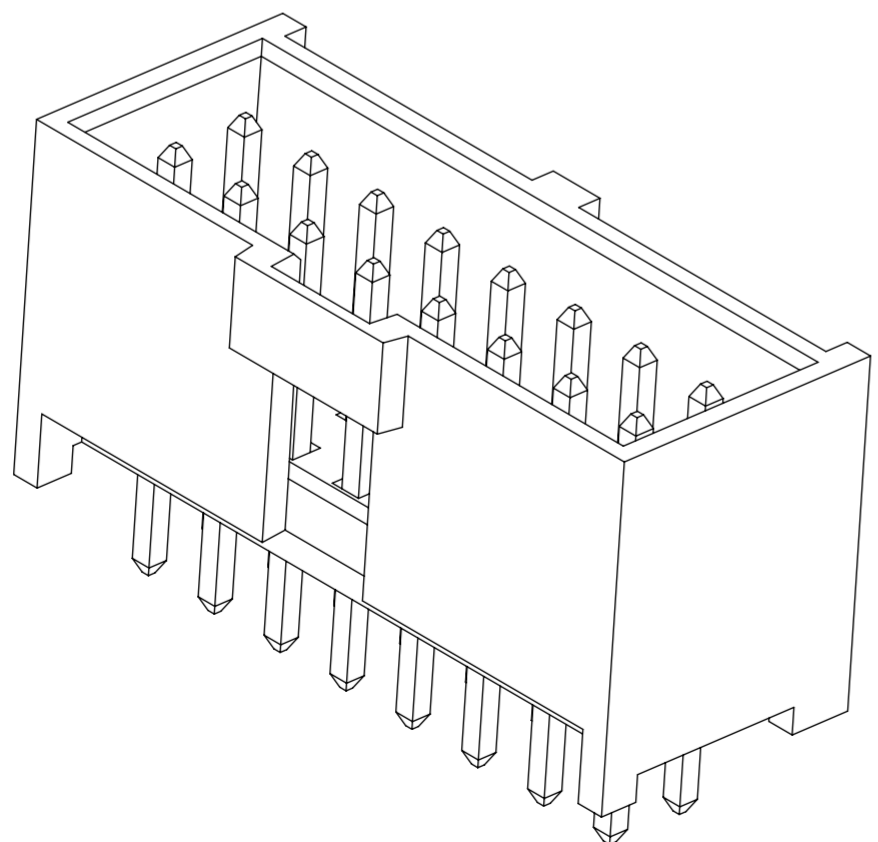
NOTES:

- MATERIAL:  
PIN: 0.647 REF SQ. BRASS WIRE.  
HOUSING: (PCT) 30% GLASS FILLED POLYESTER UL 94 V-0  
COLOUR: BLACK
- PLATING:  
TIN 3.0µm MIN. OVER NICKEL.
- PIN RETENTION FORCE 20N MIN. IN BOTH DIRECTIONS.
- HOUSING FLASH PERMISSIBLE IN THIS AREA.
- PRODUCT SPECIFICATION: PS-99020-0001
- PCB THICKNESS 1.6MM

MODIFIED PIN DIM ADDED REF. DIMS EC NO: E2008-0144 DRWN:BYRNES 2008/04/10 CHKD: DWALLACE 2008/04/11 APPR: JWALLACE 2008/04/11	QUALITY SYMBOLS	GENERAL TOLERANCES (UNLESS SPECIFIED)	DIMENSION STYLE	SCALE	DESIGN UNITS	THIRD ANGLE PROJECTION															
	$\nabla=0$ $\nabla=0$	<table border="1"> <tr><th colspan="2">mm</th><th>INCH</th></tr> <tr><td>4 PLACES</td><td>± ---</td><td>± ---</td></tr> <tr><td>3 PLACES</td><td>± ---</td><td>± ---</td></tr> <tr><td>2 PLACES</td><td>± 0.15</td><td>± ---</td></tr> <tr><td>1 PLACE</td><td>± 0.25</td><td>± ---</td></tr> </table>	mm		INCH	4 PLACES	± ---	± ---	3 PLACES	± ---	± ---	2 PLACES	± 0.15	± ---	1 PLACE	± 0.25	± ---	MM ONLY	5:1	METRIC	
	mm		INCH																		
	4 PLACES	± ---	± ---																		
3 PLACES	± ---	± ---																			
2 PLACES	± 0.15	± ---																			
1 PLACE	± 0.25	± ---																			
DESCRIPTION	DRAFT WHERE APPLICABLE MUST REMAIN WITHIN DIMENSIONS	DRAWN BY DATE DWASZKIEWICZ 2006/06/15 CHECKED BY DATE J DENNEHY 2006/09/29 APPROVED BY DATE J DENNEHY 2006/09/29	TITLE C-GRID III DUAL ROW R/A PIN SHROUDED HEADER ROHS COMPATIBLE																		
REV			MATERIAL NO. SEE CHART SIZE A2	DOCUMENT NO. SD-91814-001	MOLEX INCORPORATED 																



CKT SIZE.	DIM A	DIM B	DIM C
6	5.08	9.96	8.12
8	7.62	12.50	10.66
10	10.16	15.04	13.20
12	12.70	17.58	15.74
14	15.24	20.12	18.28
16	17.78	22.66	20.82
18	20.32	25.20	23.36
20	22.86	27.74	25.90
22	25.40	30.28	28.44
24	27.94	32.82	30.98
26	30.48	35.36	33.52
28	33.02	37.90	36.06
30	35.56	40.44	38.60
32	38.10	42.98	41.14
34	40.64	45.52	43.68
36	43.18	48.06	46.22
38	45.72	50.60	48.76
40	48.26	53.14	51.30
42	50.80	55.68	53.84
44	53.34	58.22	56.38
46	55.88	60.76	58.92
48	58.42	63.30	61.46
50	60.96	65.84	64.00



- NOTES:
- MATERIAL:  
PIN: 0.647 REF SQ. BRASS WIRE.  
HOUSING: GLASS FILLED POLYESTER (PCT) UL 94-VO  
COLOUR: BLACK  
PLATING: SEE SHEET 2
  - PIN RETENTION FORCE 20N IN BOTH DIRECTIONS.
  - MEASUREMENT POINT FOR MINIMUM PLATING THICKNESS.
  - RECOMMENDED PCB THICKNESS 1.6mm
  - PRODUCT SPECIFICATION: PS-99020-0001

THIS DRAWING CONTAINS INFORMATION THAT IS PROPRIETARY TO MOLEX ELECTRONIC TECHNOLOGIES, LLC AND SHOULD NOT BE USED WITHOUT WRITTEN PERMISSION

DIMENSION UNITS	SCALE	CURRENT REV DESC: REDRAWN AND REVISED		<b>molex</b>	
mm	5:1				
GENERAL TOLERANCES (UNLESS SPECIFIED)		EC NO: 610890		C-GRID III DUAL ROW	
		DRWN: RMV02 2018/07/18		T/HOLE SHROUDED HEADER ROHS COMPATIBLE	
		CHK'D: NMANE02 2019/01/23			
		APPR: ISHWARG 2019/01/28		PRODUCT CUSTOMER DRAWING	
		INITIAL REVISION:		DOCUMENT NUMBER	
		DRWN: DBYRNES 2007/07/26		SD-91814-002	
		APPR: EOMAHONY 2007/07/27		DOC TYPE   DOC PART   REVISION	
		ANGULAR TOL ± 0.5°		PSD   001   B	
DRAFT WHERE APPLICABLE MUST REMAIN WITHIN DIMENSIONS		THIRD ANGLE PROJECTION	DRAWING	SERIES	MATERIAL NUMBER
			A2-SIZE	91814	SEE CHARTS
		CUSTOMER		GENERAL MARKET	
		SHEET NUMBER		1 OF 2	

NO OF CKTS	PART NUMBER		
	PLATING TYPE A	PLATING TYPE B	PLATING TYPE C
6	91814-1106	91814-1206	91814-1306
8	91814-1108	91814-1208	91814-1308
10	91814-1110	91814-1210	91814-1310
12	91814-1112	91814-1212	91814-1312
14	91814-1114	91814-1214	91814-1314
16	91814-1116	91814-1216	91814-1316
18	91814-1118	91814-1218	91814-1318
20	91814-1120	91814-1220	91814-1320
22	91814-1122	91814-1222	91814-1322
24	91814-1124	91814-1224	91814-1324
26	91814-1126	91814-1226	91814-1326
28	91814-1128	91814-1228	91814-1328
30	91814-1130	91814-1230	91814-1330
32	91814-1132	91814-1232	91814-1332
34	91814-1134	91814-1234	91814-1334
36	91814-1136	91814-1236	91814-1336
38	91814-1138	91814-1238	91814-1338
40	91814-1140	91814-1240	91814-1340
42	91814-1142	91814-1242	91814-1342
44	91814-1144	91814-1244	91814-1344
46	91814-1146	91814-1246	91814-1346
48	91814-1148	91814-1248	91814-1348
50	91814-1150	91814-1250	91814-1350

NOTES:

1- FOR ASSY SEE SHEET 1.

2- PLATING DETAILS:

1. TYPE-"A"

TIN 3.0um MIN. OVER 1.27um - 2.54um NICKEL

2. TYPE-"B"

GOLD PLATE 0.38 - 0.64um IN SELECTED AREA

& 3.0um MIN, - 5.0 MAX. TIN IN SELECTED AREA

OVER 1.3 - 2.5um NICKEL OVERALL

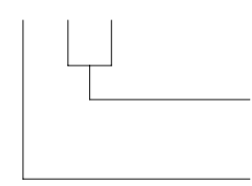
3. TYPE- "C"

SELECTIVE GOLD PLATE 0.762 - 1.02um

GOLD IN SELECTED AREA & 3.0um MIN.- 5.0um m=MAX. TIN

IN SELECTIVE AREA OVER 1.3 - 2.5um NICKEL OVERALL

91814-1 \* \* \*



INDICATES CIRCUIT HSG SIZE

PLATING

1- TYPE "A"

2- TYPE "B"

3- TYPE "C"

THIS DRAWING CONTAINS INFORMATION THAT IS PROPRIETARY TO MOLEX ELECTRONIC TECHNOLOGIES, LLC AND SHOULD NOT BE USED WITHOUT WRITTEN PERMISSION									
DIMENSION UNITS		SCALE		CURRENT REV DESC: REDRAWN AND REVISED				<b>molex</b>	
mm		1:1							
GENERAL TOLERANCES (UNLESS SPECIFIED)				EC NO: 610890				C-GRID III DUAL ROW T/HOLE SHROUDED HEADER ROHS COMPATIBLE	
		MM	INCH	DRWN: RMV02		2018/07/18			
4 PLACES		±	±	CHK'D: NMANE02		2019/01/23		PRODUCT CUSTOMER DRAWING	
3 PLACES		±	±	APPR: ISHWARG		2019/01/28			
2 PLACES		± 0.15	±	INITIAL REVISION:				DOCUMENT NUMBER	
1 PLACE		± 0.25	±	DRWN: DBYRNES				SD-91814-002	
0 PLACES		±	±	APPR: EOMAHONY				PSD	
ANGULAR TOL		± 0.5 °		THIRD ANGLE PROJECTION		DRAWING		SHEET NUMBER	
DRAFT WHERE APPLICABLE MUST REMAIN WITHIN DIMENSIONS				A2-SIZE		SERIES		2 OF 2	
				91814		MATERIAL NUMBER		CUSTOMER	
				SEE CHARTS		GENERAL MARKET			

DOCUMENT STATUS	P1	RELEASE DATE	2019/01/28	09:43:18
-----------------	----	--------------	------------	----------