

HC-BS-PG16 - Screw plug



1674516

<https://www.phoenixcontact.com/us/products/1674516>

Please be informed that the data shown in this PDF document is generated from our online catalog. Please find the complete data in the user documentation. Our general terms of use for downloads are valid.

Screw plug, material for screw connection: Brass, nickel-plated, connecting thread: Pg16, color: silver



Commercial data

Item number	1674516
Packing unit	1 pc
Minimum order quantity	10 pc
Sales key	BF68
Product key	BF7DZX
Catalog page	Page 703 (C-2-2019)
GTIN	4017918135416
Weight per piece (including packing)	17.41 g
Weight per piece (excluding packing)	16.96 g
Customs tariff number	74198090
Country of origin	DE

HC-BS-PG16 - Screw plug

1674516

<https://www.phoenixcontact.com/us/products/1674516>



Technical data

Product properties

Product type	Plug for cable screw gland
Pg screw connection	Pg16

Dimensions

Dimensional drawing	
Length	10 mm
Length of the connecting thread	6 mm
Diameter	26 mm
Hexagon angular dimension	Diameter (no corners)
Thread type connection side	Pg16

Material specifications

Material	Brass, nickel-plated
Seal material O-ring	NBR
Housing surface material	Nickel
Material for screw connection	Brass, nickel-plated

Cable/line

Halogen-free	no
--------------	----

Environmental and real-life conditions

Ambient conditions

Degree of protection	IP68
Ambient temperature (operation)	-20 °C ... 80 °C

HC-BS-PG16 - Screw plug

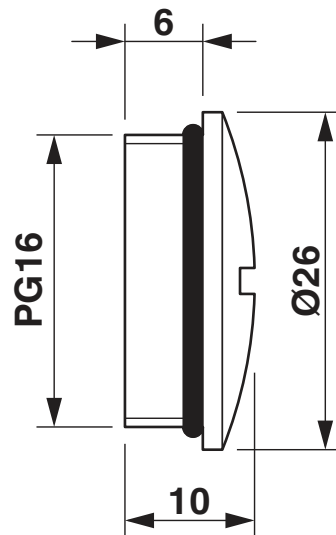
1674516

<https://www.phoenixcontact.com/us/products/1674516>



Drawings

Dimensional drawing



Filler plugs Pg16

HC-BS-PG16 - Screw plug

1674516

<https://www.phoenixcontact.com/us/products/1674516>



Approvals

To download certificates, visit the product detail page: <https://www.phoenixcontact.com/us/products/1674516>



EAC

Approval ID: RU C-DE.AI30.B.01102

HC-BS-PG16 - Screw plug

1674516

<https://www.phoenixcontact.com/us/products/1674516>



Classifications

ECLASS

ECLASS-11.0	23111190
ECLASS-12.0	23111190
ECLASS-13.0	23111190

ETIM

ETIM 8.0	EC000032
----------	----------

UNSPSC

UNSPSC 21.0	31261500
-------------	----------

HC-BS-PG16 - Screw plug



1674516

<https://www.phoenixcontact.com/us/products/1674516>

Environmental product compliance

REACH SVHC	Lead 7439-92-1
China RoHS	Environmentally Friendly Use Period = 50 years
	For information on hazardous substances, refer to the manufacturer's declaration available under "Downloads"

Phoenix Contact 2023 © - all rights reserved

<https://www.phoenixcontact.com>

Phoenix Contact USA
586 Fulling Mill Road
Middletown, PA 17057, United States
(+717) 944-1300
info@phoenixcon.com