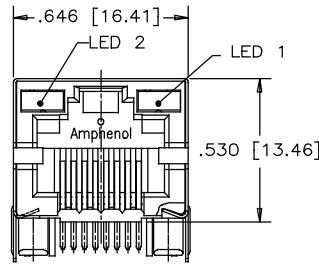
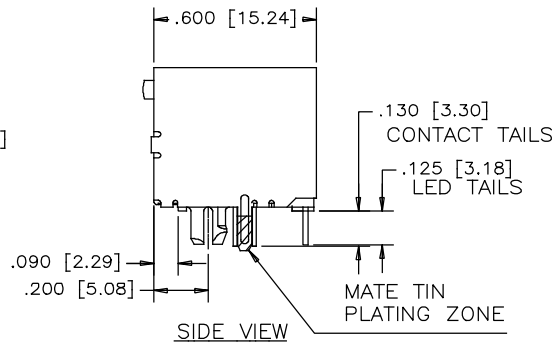


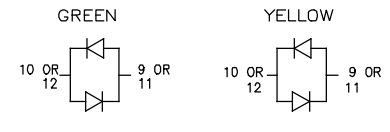
REVISIONS			
REV	DESCRIPTION, ECN, EAR NO.	DATE	APP'D
A	PROPOSAL DRAWING	MAR12/18	L.CHAN



FRONT VIEW



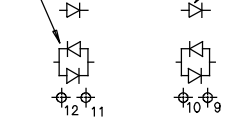
SIDE VIEW



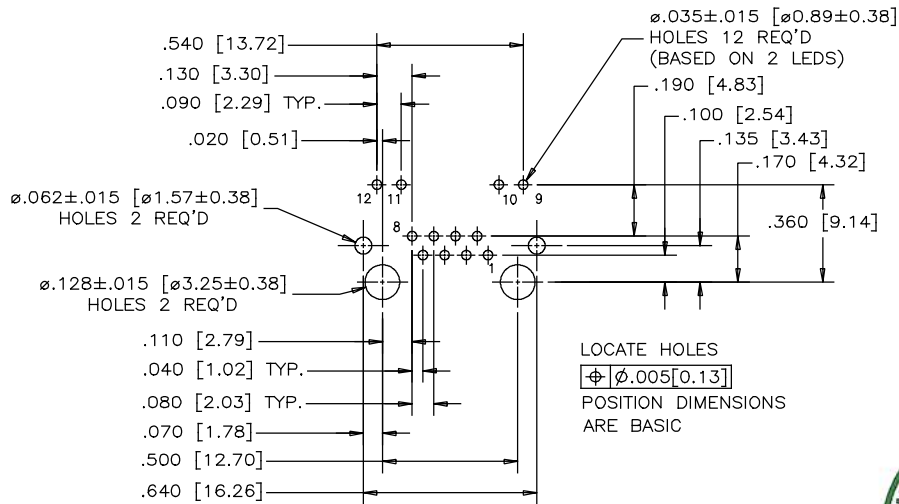
BI-COLOUR LED DETAIL  
(RED/YELLOW AND GREEN/ORANGE LED'S ARE ALSO AVAILABLE)

TYPICAL FOR BI-COLOUR LED

TYPICAL FOR SINGLE COLOR LED (RED, GREEN, OR YELLOW)



LED SCHEMATIC



RECOMMENDED P.C.B. LAYOUT  
(COMPONENT SIDE OF BOARD)



**MATERIALS:**  
PLASTIC HOUSING: HIGH TEMPERATURE THERMOPLASTIC  
FLAMMABILITY RATING UL 94V-0

**CONTACTS:** PHOSPHOR BRONZE  
PLATING: GOLD PLATING ON MATING SURFACE.  
[SEE PART NUMBER FOR THICKNESS]  
50 μ" [1.27 MICRONS]  
MIN. NICKEL UNDERPLATE  
100 μ" [2.54 MICRONS]  
MIN. MATTE TIN ON CONTACT TAILS.

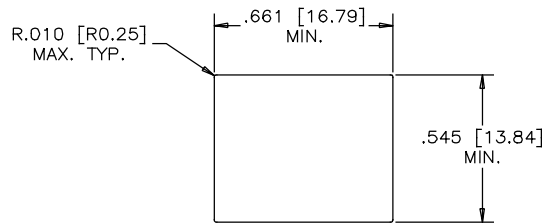
**SHIELD:** STAINLESS STEEL WITH TIN FINISH ON SOLDER TAIL

**PART NUMBER:** RJHSE-XE8X-A1

GOLD PLATING

REFER TO LED OPTIONS DRAWING FOR ORDERING CODES

E=RJ45 FLAT CONTACT 6u"  
G=RJ45 FLAT CONTACT 15u"  
J=RJ45 FLAT CONTACT 30u"  
5=RJ45 FLAT CONTACT 50u"



RECOMMENDED PANEL CUTOUT

UNLESS SPECIFIED OTHERWISE	DRAWN	W.QIU	DATE	MAR 12/18
PRIMARY UNITS	CHECKED	L.CHAN	DATE	MAR 12/18
SECONDARY	M.E. APP'D			
REFERENCE IN PARENTHESES	Q.A. APP'D			
GENERAL TOLERANCES	DWG APPR.			
1 DECIMAL PLACE ±0.025	ENG. REL. NO.			
2 DECIMAL PLACES ±0.020	REF.			
3 DECIMAL PLACES ±0.015	THIRD ANGLE PROJECTION			
ANGULAR DEGREES ±1.0°	DO NOT SCALE DRAWING			

Amphenol Canada Corp.	
www.amphenolcanada.com	
TITLE HIGH SPEED RJ45 SINGLE-PORT CONNECTOR WITH LED'S AND SHIELD (OPEN FRONT, WITHOUT TABS) .130" LONG CONTACT TAILS- RoHS COMPLIANT	
DWG. NO.	REV
P-RJHSE-XE8X-A1	A
CODE ID NO. 03554	DWG SIZE: C
SCALE: N/A	SHEET 1 OF 1