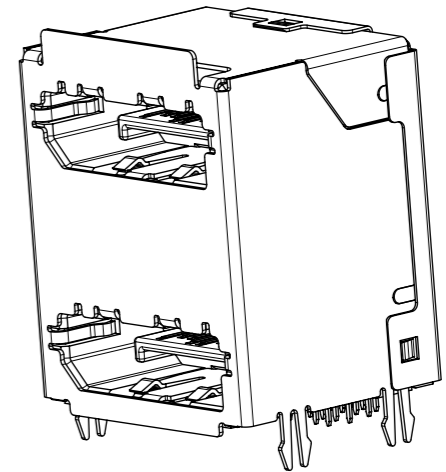
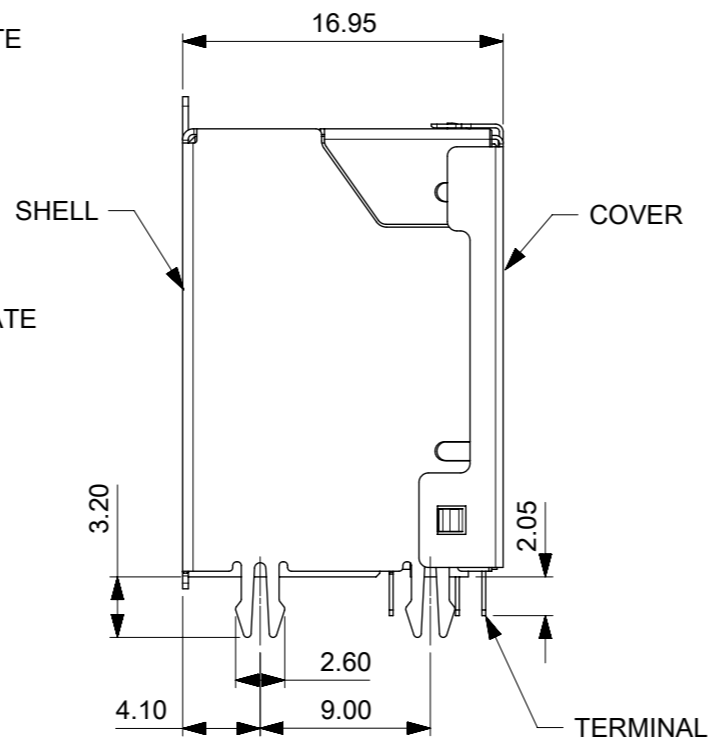
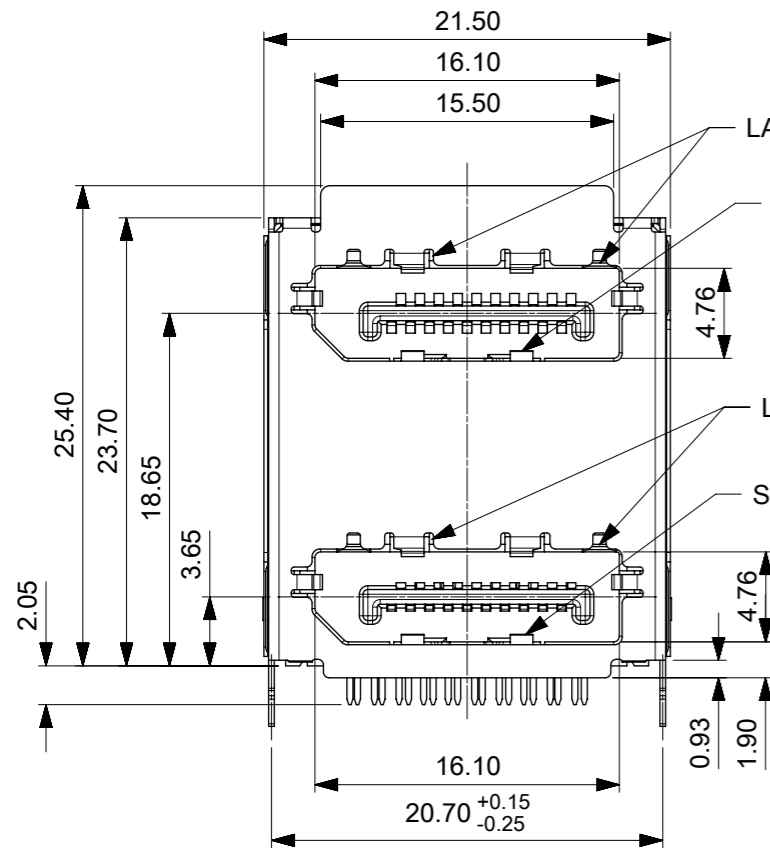
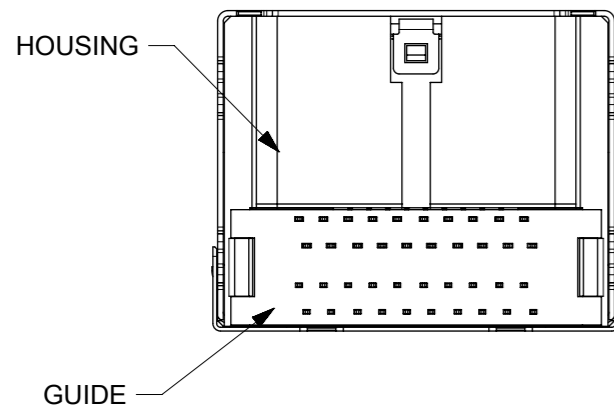


DATA CODE
YY: YEAR
MM: MONTH
DD: DAY

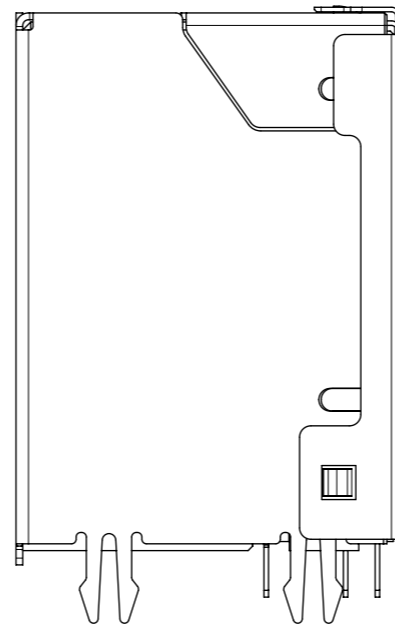
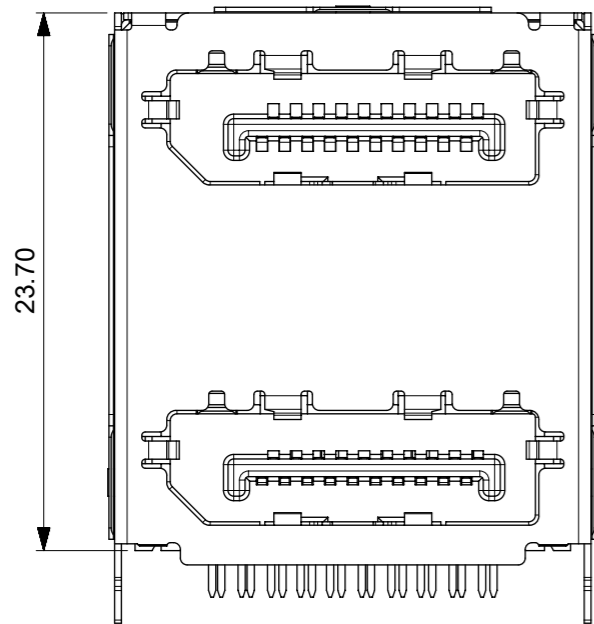
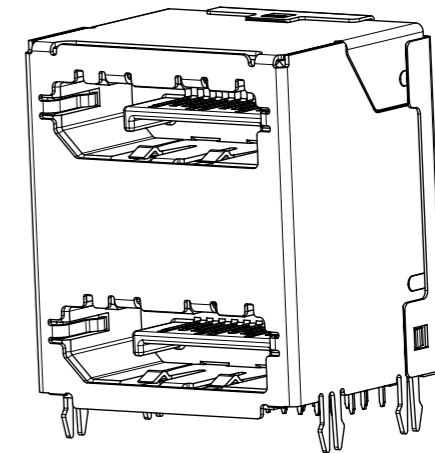
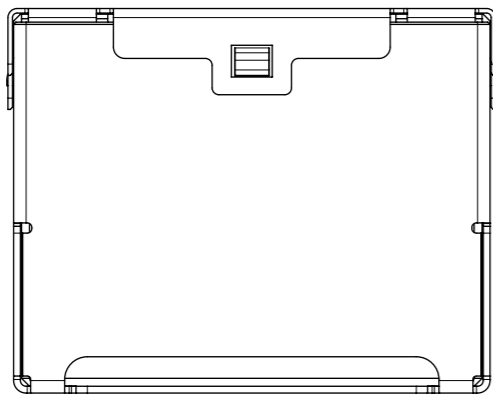


- NOTES:
- MATERIAL:
HOUSING: HIGH TEMPERATURE THERMAL PLASTIC, BLACK, 30% G/F, UL94V-0
GUIDE: HIGH TEMPERATURE THERMAL PLASTIC, BLACK, 30% G/F, UL94V-0
TERMINAL: COPPER ALLOY
SHELL, LATCH HOLE PLATE, SPRING: STAINLESS STEEL
 - PLATING:
TERMINAL: CONTACT AREA:
(1) 0.76 MICRON MIN. GOLD PLATING
(2) 0.10 MICRON MIN. GOLD PLATING
OVER 0.64 MICRON MIN. PALLADIUM/NICKEL PLATING
(3) 0.38 MICRON MIN. GOLD PLATING
(4) GOLD FLASH PLATING
SOLDER TAIL: 1 MICRON MIN. MATTE TIN PLATING
UNDER PLATING: 1 MICRON MIN. NICKEL PLATING OVERALL
SHELL: SOLDER TAIL: 1 MICRON MIN. MATTE TIN PLATING
UNDER PLATING: 0.15 MICRON MIN. NICKEL PLATING
 - PRODUCT SPEC REFER TO PS-47272-001
 - PACKAGE SPEC REFER TO PK-105276-001
 - PRODUCT COMPLIANT TO ROHS DIRECTIVE 2011/65/EU AND ELV DIRECTIVE 2000/53/EC



PART NO.	DESCRIPTION
1052760501	CONTACT AREA PLATING (1)
1052760101	CONTACT AREA PLATING (2)
1052760301	CONTACT AREA PLATING (4)

THIS DRAWING CONTAINS INFORMATION THAT IS PROPRIETARY TO MOLEX ELECTRONIC TECHNOLOGIES, LLC AND SHOULD NOT BE USED WITHOUT WRITTEN PERMISSION																
QUALITY SYMBOLS	2016/10/19	2017/01/04	GENERAL TOLERANCES (UNLESS SPECIFIED)		DIMENSION UNITS	SCALE	 STACK TYPE DISPLAYPORT DIP TYPE CONNECTOR									
			ANGULAR TOL ± 3.0 °		MM	2.5:1										
▽A = 0	EC NO: 110990	DRWN: RZHANG	4 PLACES ±	DRAFT WHERE APPLICABLE MUST REMAIN WITHIN DIMENSIONS	DRWN BY	DATE						PRODUCT CUSTOMER DRAWING				
▽E = 0			3 PLACES ±		RZHANG	2014/02/26										
▽F = 0			2 PLACES ± 0.25		CHK'D BY	DATE										
▽ = 0			1 PLACE ± 0.3		APP'R BY	DATE	SERIES									
▽C = 0			0 PLACES ±		AYIN	2014/02/26	DRAWING SIZE		THIRD ANGLE PROJECTION			MATERIAL NUMBER		CUSTOMER		
⊗ = 0	A5	REV		A3	A3				105276		GENERAL MARKET					
■ = 0							DOCUMENT NUMBER		DOC TYPE	DOC PART	SHEET NUMBER					
▽ = 0							SD-105276-001		PSD	000	1 OF 4					

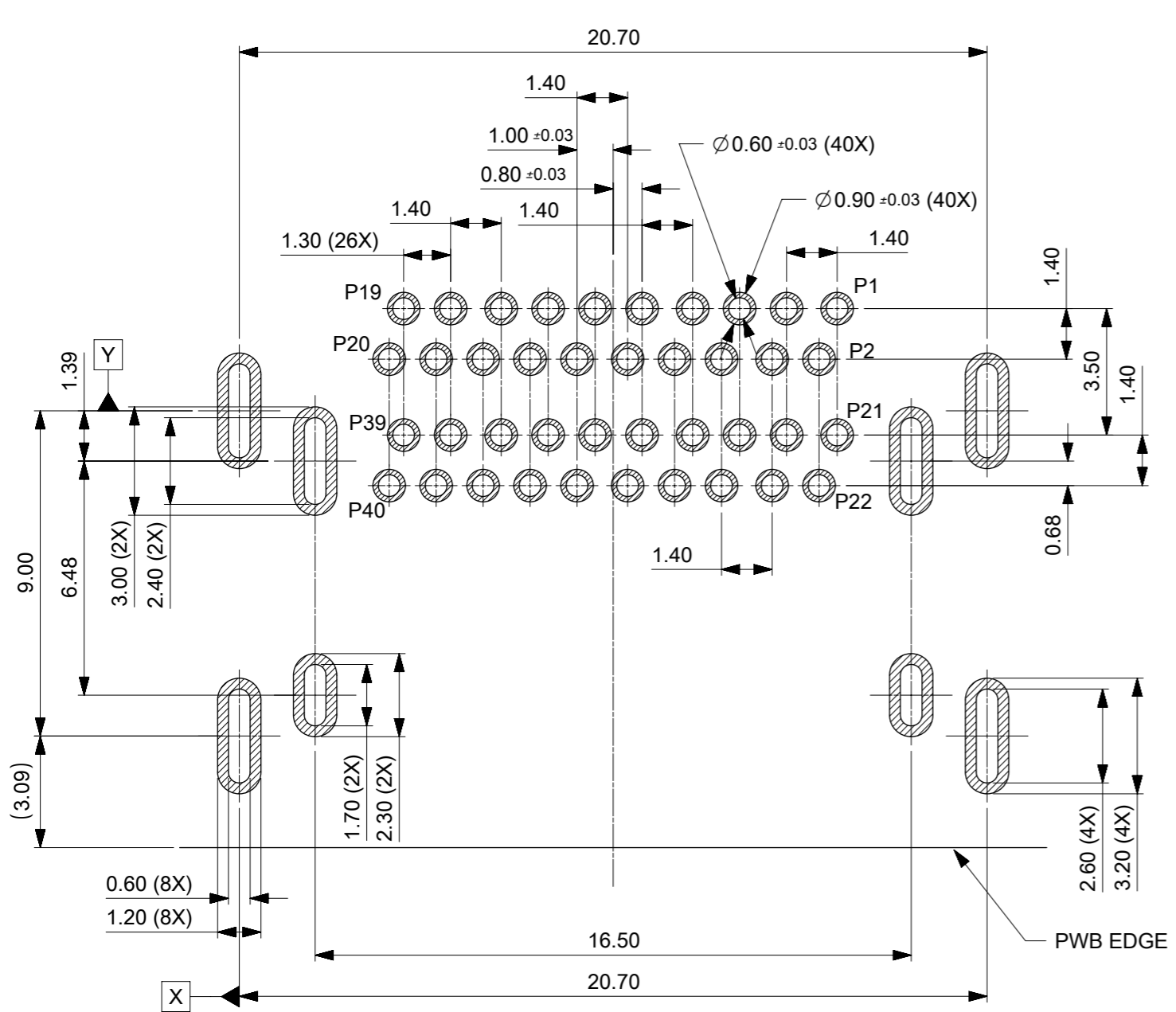


PIN ASSIGNMENT			
PIN NO.		SOURCE SIDE	SINK SIDE
P1	P21	ML_LANE 0(P)	ML_LANE 3(N)
P2	P22	GND	GND
P3	P23	ML_LANE 0(N)	ML_LANE 3(P)
P4	P24	ML_LANE 1(P)	ML_LANE 2(N)
P5	P25	GND	GND
P6	P26	ML_LANE 1(N)	ML_LANE 2(P)
P7	P27	ML_LANE 2(P)	ML_LANE 1(N)
P8	P28	GND	GND
P9	P29	ML_LANE 2(N)	ML_LANE 1(P)
P10	P30	ML_LANE 3(P)	ML_LANE 0(N)
P11	P31	GND	GND
P12	P32	ML_LANE 3(N)	ML_LANE 0(P)
P13	P33	CONFIG 1	CONFIG 1
P14	P34	CONFIG 2	CONFIG 2
P15	P35	AUX CH(P)	AUX CH(P)
P16	P36	GND	GND
P17	P37	AUX CH(N)	AUX CH(N)
P18	P38	HOT PLUG DETECT	HOT PLUG DETECT
P19	P39	RETURN	RETURN
P20	P40	DP POWER	DP POWER

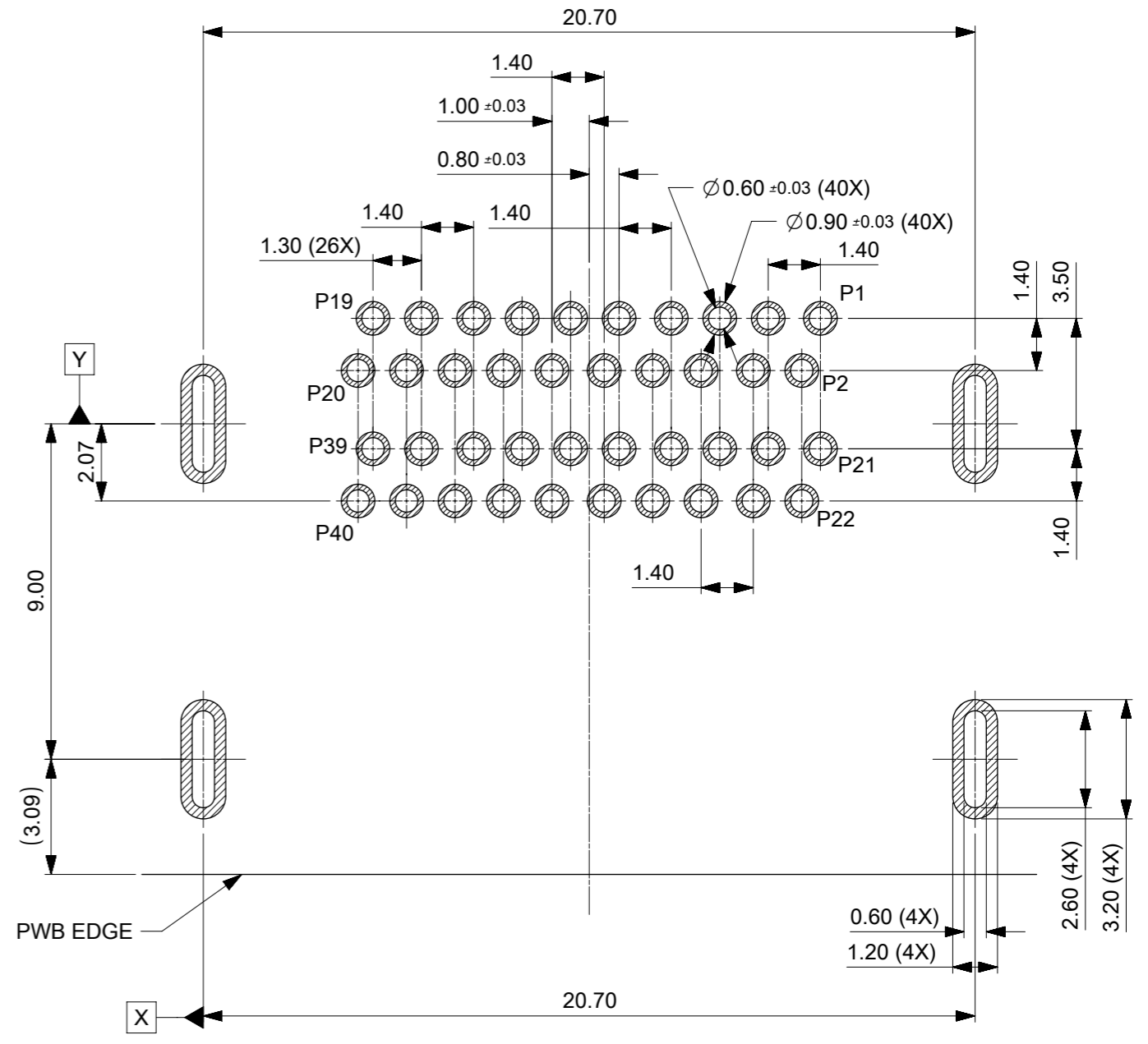
NOTES:
ALL UNSPECIFIED DIMENSIONS IS SAME AS 1052760501

PART NO.	DESCRIPTION
1052760201	CONTACT AREA PLATING (3)
1052760601	CONTACT AREA PLATING (1)

QUALITY SYMBOLS 	THIS DRAWING CONTAINS INFORMATION THAT IS PROPRIETARY TO MOLEX ELECTRONIC TECHNOLOGIES, LLC AND SHOULD NOT BE USED WITHOUT WRITTEN PERMISSION										
	2016/10/19	2017/01/04	GENERAL TOLERANCES (UNLESS SPECIFIED)		DIMENSION UNITS	SCALE					
			ANGULAR TOL ± 3.0 °		MM						
	EC NO: 110990 DRWN: RZHANG CHK'D: APPR: AYIN	4 PLACES	±	DRWN BY		DATE		STACK TYPE DISPLAYPORT DIP TYPE CONNECTOR PRODUCT CUSTOMER DRAWING SERIES: 105276 MATERIAL NUMBER: SEE CHART CUSTOMER: GENERAL MARKET DOCUMENT NUMBER: SD-105276-001 DOC TYPE: PSD DOC PART: 000 SHEET NUMBER: 2 OF 4			
		3 PLACES	±	RZHANG		2014/02/26					
		2 PLACES	± 0.25	CHK'D BY		DATE					
		1 PLACE	± 0.3	APPR BY		DATE					
		0 PLACES	±	AYIN		2014/02/26					
		DRAFT WHERE APPLICABLE MUST REMAIN WITHIN DIMENSIONS		DRAWING SIZE	THIRD ANGLE PROJECTION						
	A5	REV			A3						



RECOMMENDED PWB LAYOUT(CONNECTOR SIDE) FOR 1052760101/0201/0501
 TOLERANCE IS ±0.05, THICKNESS IS 1.60, ALL POSITION TOL IS ± 0.06 X Y



RECOMMENDED PWB LAYOUT(CONNECTOR SIDE) FOR 1052760601
 TOLERANCE IS ±0.05, THICKNESS IS 1.60, ALL POSITION TOL IS ± 0.06 X Y

THIS DRAWING CONTAINS INFORMATION THAT IS PROPRIETARY TO MOLEX ELECTRONIC TECHNOLOGIES, LLC AND SHOULD NOT BE USED WITHOUT WRITTEN PERMISSION													
QUALITY SYMBOLS 	2016/10/19	2017/01/04	GENERAL TOLERANCES (UNLESS SPECIFIED)			DIMENSION UNITS	SCALE						
	EC NO: 110990 DRWN: RZHANG CHK'D: APPR: AYIN	REV: A5 APPR: AYIN	ANGULAR TOL ± 3.0 °			MM						STACK TYPE DISPLAYPORT DIP TYPE CONNECTOR PRODUCT CUSTOMER DRAWING	
			4 PLACES	±		DRWN BY	DATE						
			3 PLACES	±		RZHANG	2014/02/26						
			2 PLACES	±	0.25	CHK'D BY	DATE						
			1 PLACE	±	0.3	APPR BY	DATE						
	0 PLACES	±		AYIN	2014/02/26	DRAWING SIZE	THIRD ANGLE PROJECTION	SERIES	MATERIAL NUMBER	CUSTOMER			
	DRAFT WHERE APPLICABLE MUST REMAIN WITHIN DIMENSIONS			A3		105276	SEE SHEET 1	GENERAL MARKET		DOCUMENT NUMBER	DOC TYPE	DOC PART	SHEET NUMBER
						SD-105276-001	PSD	000	3 OF 4				