

NBC-R4AC-10G/0,3-94F/R4AC-10G - Patch cable



1422209

<https://www.phoenixcontact.com/us/products/1422209>

Please be informed that the data shown in this PDF document is generated from our online catalog. Please find the complete data in the user documentation. Our general terms of use for downloads are valid.



Patch cable, CAT6A, 4-pair, shielded, connection not crossed (line), assembled at both ends with RJ45/IP20 connectors, outer sheath material: PUR, length: 0.3 m

Your advantages

- Perfect for industrial applications
- Perfect for office, building, and protected industrial applications (e.g., in control cabinets)
- Compact angle

Commercial data

Item number	1422209
Packing unit	1 pc
Minimum order quantity	1 pc
Sales key	AB11
Product key	ABNABF
GTIN	4055626292632
Weight per piece (including packing)	38.8 g
Weight per piece (excluding packing)	36.8 g
Customs tariff number	85444210
Country of origin	PL

1422209

<https://www.phoenixcontact.com/us/products/1422209>

Technical data

Product properties

Product type	Data cable preassembled
Sensor type	Ethernet
Number of positions	8
Shielded	yes

Electrical properties

Rated voltage (III/3)	72 V (DC)
Nominal voltage U_N	48 V
Nominal current I_N	0.5 A
Transmission medium	Copper
Transmission characteristics (category)	CAT6 _A
Transmission speed	10 Gbps
Wave impedance	100 Ω

Mechanical properties

Mechanical data

Insertion/withdrawal cycles	200
Insertion force per signal contact	50.00 N
Extraction force per signal contact	30 N

Material specifications

Outer sheath, material	PUR
Conductor material	Bare Cu litz wires

Connector

Connection 1

Type	Plug straight RJ45
Shielded	yes
Insertion/withdrawal cycles	≥ 750
Degree of protection	IP20
Number of positions	8
Insertion/withdrawal cycles	750

Connection 2

Type	Plug straight RJ45
Shielded	yes
Insertion/withdrawal cycles	≥ 750
Number of positions	8
Degree of protection	IP20


NBC-R4AC-10G/0,3-94F/R4AC-10G - Patch cable



1422209

<https://www.phoenixcontact.com/us/products/1422209>

Cable/line

Cable length	0.30 m
Ethernet 10 Gbit [94F]	
Dimensional drawing	
Shielded	yes
UL AWM Style	20963 (80°C/30 V)
Cable weight	42 kg/km
Cable type	Ethernet 10 Gbit
Short symbol	02YSC11Y
Cable type (abbreviation)	94F
Signal type/category	Ethernet CAT6 _A , 10 Gbps
Cable structure	4x2xAWG26/7; S/FTP
External cable diameter	6.4 mm ±0.2 mm
Outer sheath, material	PUR
External sheath, color	water blue RAL 5021
Thickness, outer sheath	0.65 mm
Conductor material	Bare Cu litz wires
Conductor structure signal line	7x 0.16 mm
AWG signal line	26
Conductor cross section	4x 2x 0.14 mm ²
Material wire insulation	Foamed PE
Wire diameter incl. insulation	1.04 mm
Single wire, color	white/blue-blue, white/orange-orange, white/green-green, white/brown-brown
Twisted pairs	2 cores to the pair
Type of pair shielding	Aluminum-lined foil
Overall twist	4 pairs for core
Shielding	Tinned copper braided shield
Optical shield covering	70 %
Nominal voltage, cable	≤ 100 V
Test voltage Core/Core	700 V (50 Hz, 1 min.)
Test voltage Core/Shield	700 V (50 Hz, 1 min.)
Cable insulation resistance	≥ 500 MΩ*km
Wave impedance	100 Ω ±5 Ω (at 100 MHz)
Loop resistance	≤ 290.00 Ω/km
Cable capacity	47 nF/km

NBC-R4AC-10G/0,3-94F/R4AC-10G - Patch cable



1422209

<https://www.phoenixcontact.com/us/products/1422209>

Signal runtime	5.13 ns/m
Tensile strength	≤ 100 N
Minimum bending radius, fixed installation	4 x D
Minimum bending radius, flexible installation	8 x D
Damping	3.1 dB (with 1 MHz)
	5.7 dB (at 4 MHz)
	8 dB (at 8 MHz)
	8.9 dB (at 10 MHz)
	11.2 dB (at 16 MHz)
	12.6 dB (at 20 MHz)
	14.1 dB (at 25 MHz)
	15.8 dB (at 31.25 MHz)
	22.5 dB (at 62.5 MHz)
	28.7 dB (at 100 MHz)
	41.4 dB (at 200 MHz)
	46.6 dB (at 250 MHz)
	51.4 dB (at 300 MHz)
	60.1 dB (at 400 MHz)
67.9 dB (at 500 MHz)	
Near end crosstalk attenuation (NEXT)	75.3 dB (with 1 MHz)
	66.3 dB (at 4 MHz)
	61.8 dB (at 8 MHz)
	60.3 dB (at 10 MHz)
	57.2 dB (at 16 MHz)
	55.8 dB (at 20 MHz)
	54.3 dB (at 25 MHz)
	52.8 dB (at 31.25 MHz)
	48.4 dB (at 62.5 MHz)
	45.3 dB (at 100 MHz)
	40.8 dB (at 200 MHz)
	39.3 dB (at 250 MHz)
	38.1 dB (at 300 MHz)
	36.3 dB (at 400 MHz)
34.8 dB (at 500 MHz)	
Power-summated near end crosstalk attenuation (PSNEXT)	72.3 dB (with 1 MHz)
	63.3 dB (at 4 MHz)
	58.8 dB (at 8 MHz)
	57.3 dB (at 10 MHz)
	54.2 dB (at 16 MHz)
	52.8 dB (at 20 MHz)
	51.3 dB (at 25 MHz)
	49.9 dB (at 31.25 MHz)
	45.4 dB (at 62.5 MHz)
	42.3 dB (at 100 MHz)

NBC-R4AC-10G/0,3-94F/R4AC-10G - Patch cable



1422209

<https://www.phoenixcontact.com/us/products/1422209>

	37.8 dB (at 200 MHz)
	36.3 dB (at 250 MHz)
	35.1 dB (at 300 MHz)
	33.3 dB (at 400 MHz)
	31.8 dB (at 500 MHz)
Return loss (RL)	20 dB (with 1 MHz)
	23 dB (at 4 MHz)
	24.5 dB (at 8 MHz)
	25 dB (at 10 MHz)
	25 dB (at 16 MHz)
	25 dB (at 20 MHz)
	24.2 dB (at 25 MHz)
	23.3 dB (at 31.25 MHz)
	20.7 dB (at 62.5 MHz)
	19 dB (at 100 MHz)
	16.4 dB (at 200 MHz)
	15.6 dB (at 250 MHz)
	15.6 dB (at 300 MHz)
	15.6 dB (at 400 MHz)
	15.6 dB (at 500 MHz)
Shield attenuation	≥ 80 dB (at 30 ... 100 MHz)
Halogen-free	according to IEC 60754-1
Resistance to oil	in accordance with DIN EN 60811-2-1
Flame resistance	according to IEC 60332-1-2
Ambient temperature (operation)	-20 °C ... 80 °C (Cable, flexible installation)
	-40 °C ... 80 °C (cable, fixed installation)

Environmental and real-life conditions

Ambient conditions

Degree of protection	IP20
Ambient temperature (operation)	-25 °C ... 60 °C (RJ45 connector)

NBC-R4AC-10G/0,3-94F/R4AC-10G - Patch cable

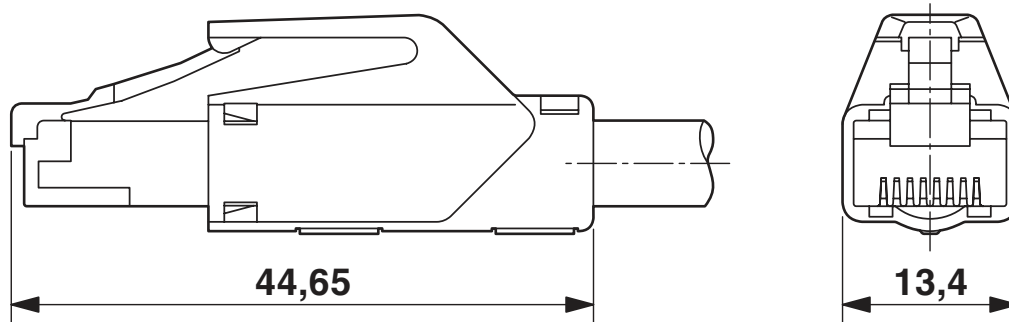


1422209

<https://www.phoenixcontact.com/us/products/1422209>

Drawings

Dimensional drawing



RJ45 connector, IP20

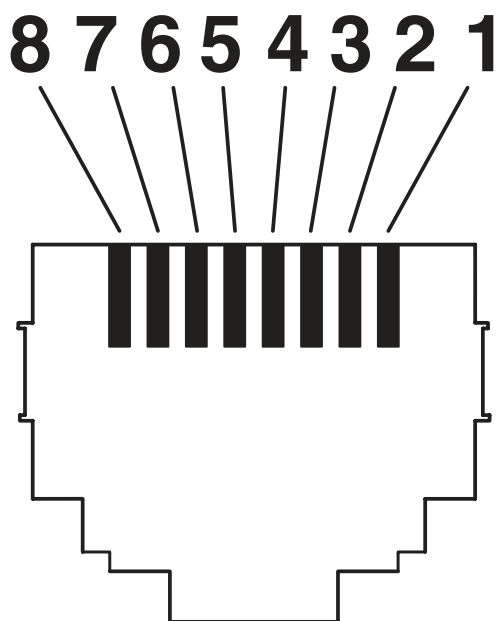
NBC-R4AC-10G/0,3-94F/R4AC-10G - Patch cable

1422209

<https://www.phoenixcontact.com/us/products/1422209>



Schematic diagram



Connector pin assignment plug RJ45

NBC-R4AC-10G/0,3-94F/R4AC-10G - Patch cable



1422209

<https://www.phoenixcontact.com/us/products/1422209>

Approvals

To download certificates, visit the product detail page: <https://www.phoenixcontact.com/us/products/1422209>



EAC

Approval ID: 19060508

NBC-R4AC-10G/0,3-94F/R4AC-10G - Patch cable



1422209

<https://www.phoenixcontact.com/us/products/1422209>

Classifications

ECLASS

ECLASS-11.0	27061801
ECLASS-12.0	27061801
ECLASS-13.0	27061801

ETIM

ETIM 8.0	EC003249
----------	----------

UNSPSC

UNSPSC 21.0	26121600
-------------	----------

NBC-R4AC-10G/0,3-94F/R4AC-10G - Patch cable



1422209

<https://www.phoenixcontact.com/us/products/1422209>

Environmental product compliance

China RoHS	Environmentally friendly use period: unlimited = EFUP-e
	No hazardous substances above threshold values

Phoenix Contact 2023 © - all rights reserved
<https://www.phoenixcontact.com>

Phoenix Contact USA
586 Fulling Mill Road
Middletown, PA 17057, United States
(+717) 944-1300
info@phoenixcon.com