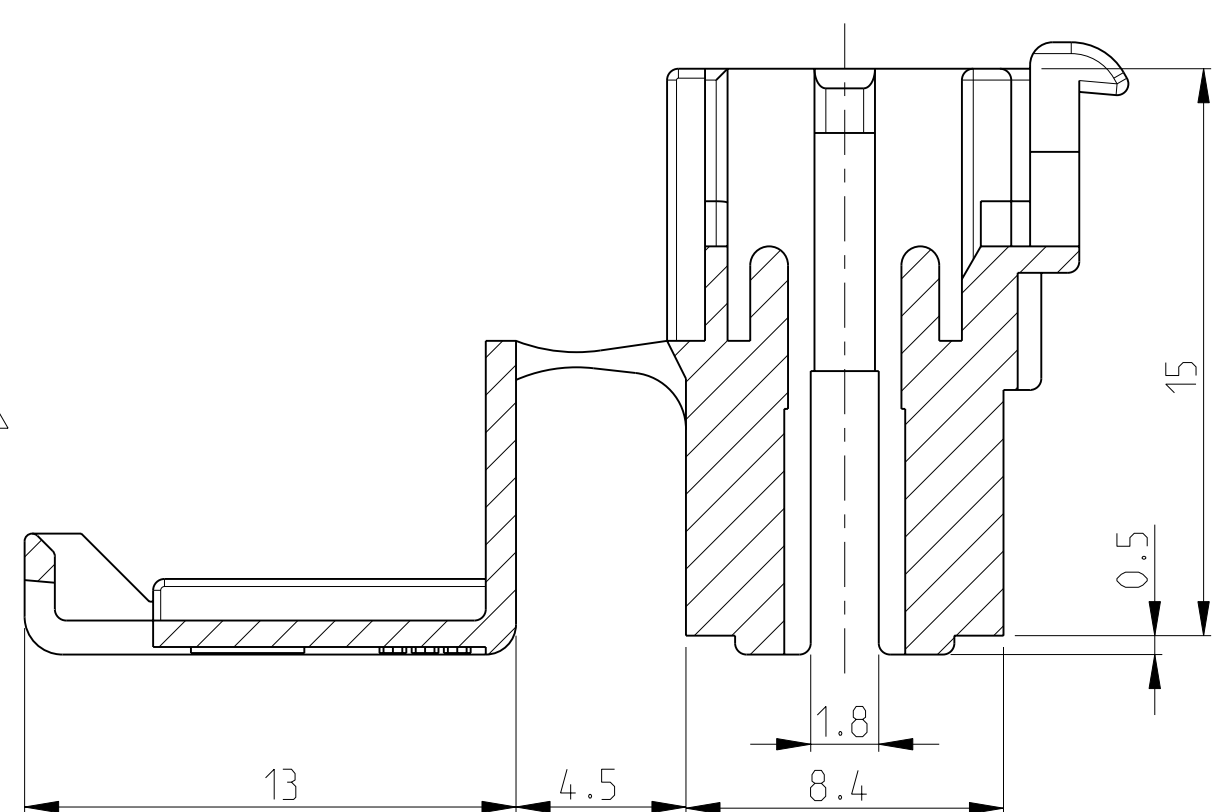
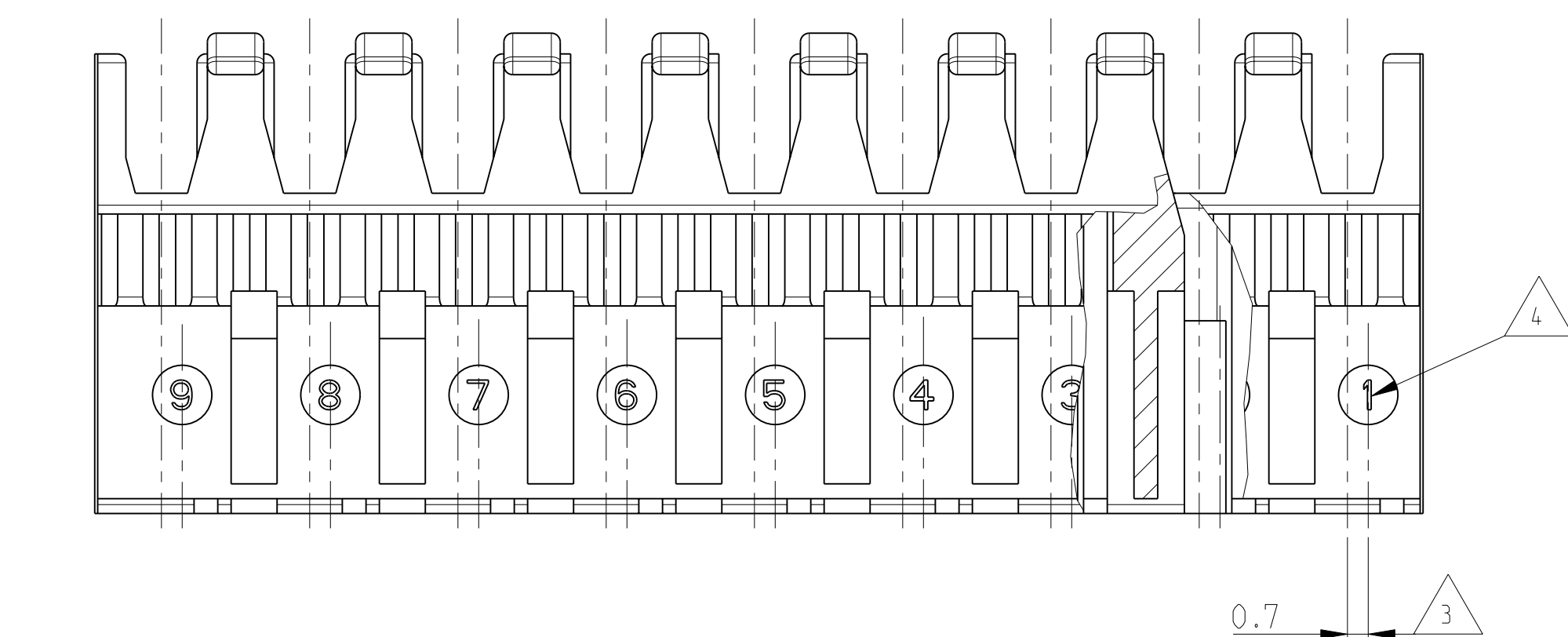
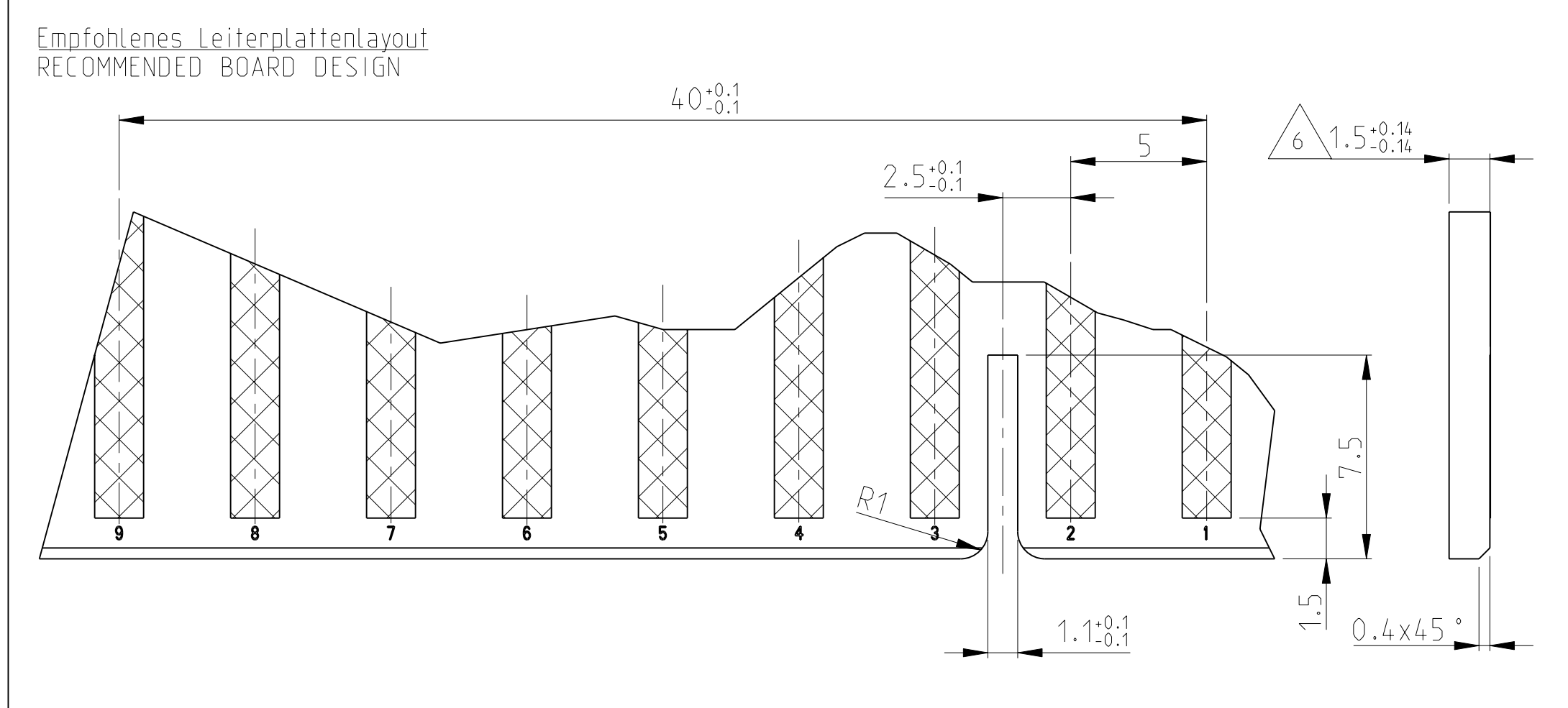
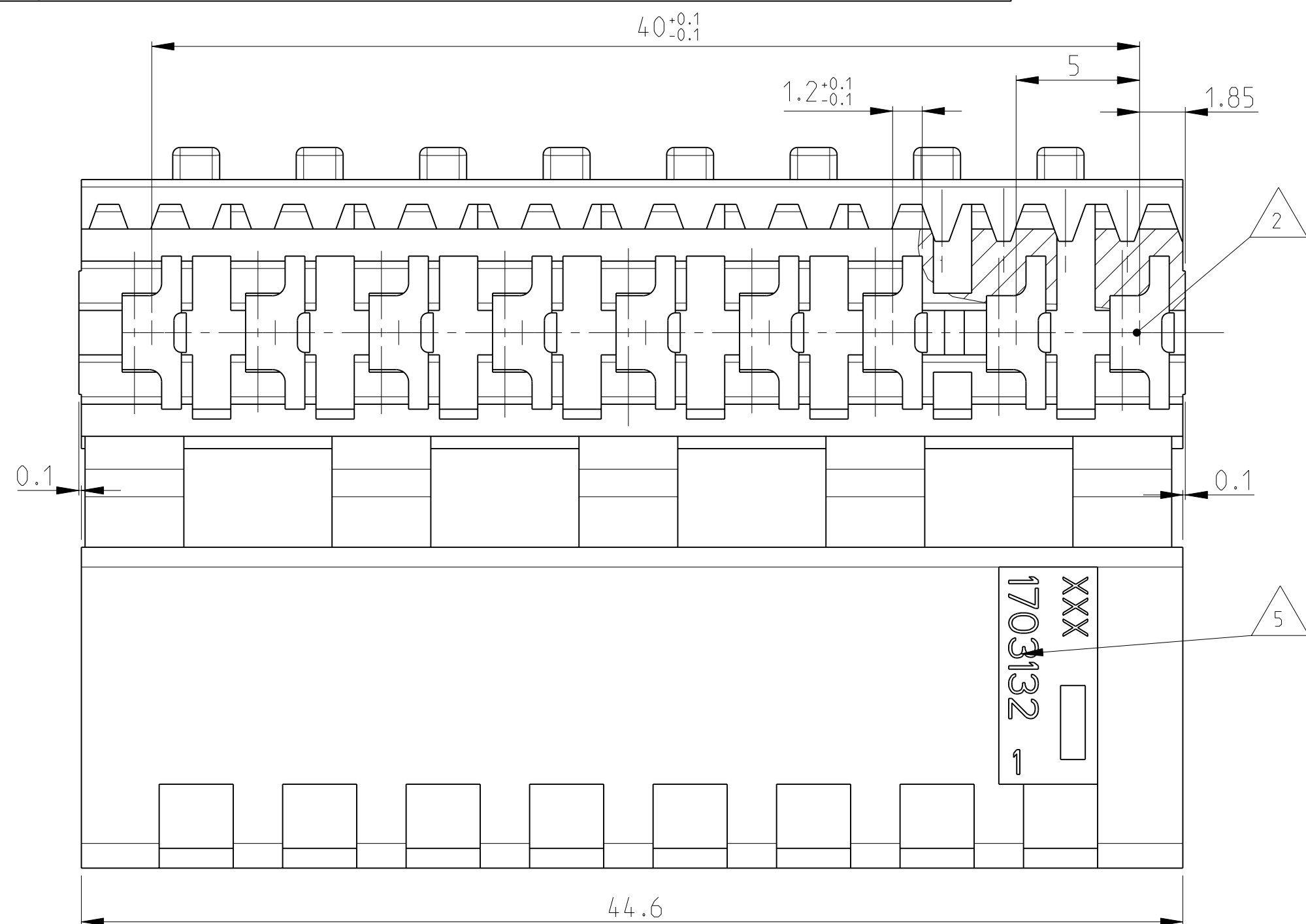
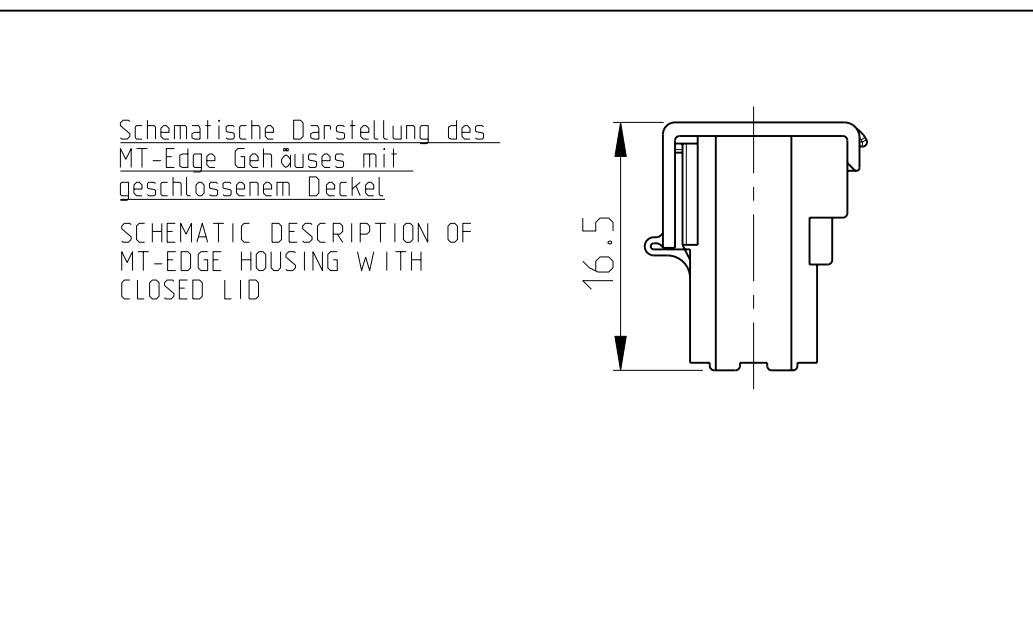


THIS DRAWING IS UNPUBLISHED. RELEASED FOR PUBLICATION 2003
 © COPYRIGHT 2003 ALL RIGHTS RESERVED.

LOC	DIST	REVISIONS			
P	LTR	DESCRIPTION	DATE	DWN	APVD
A1	-				
B		HINGE GEOMETRY MODIFIED	11APR2012	MKD	RRP



- Bemerkungen
NOTES
- 1 Maßgebend ist der deutsche Text
ONLY THE GERMAN-LANGUAGE VERSION SHALL BE BINDING
 - 2 Lage des Kontaktpunktes auf der Leiterplatte; Abweichung ±0.4
POSITION OF CONTACT POINT ON BOARD; DEVIATION ±0.4
 - 3 Kontaktierung zur Drahtmitte um 0.7mm versetzt
CONTACTING 0.7mm DISPLACED TO WIRE CENTRELINE
 - 4 Kontaktkammer-Nr.
CONTACT CAVITY #
 - 5 Firmenlogo und Leergehäuse-Nr.
ARTWORK LOGO AND HOUSING # (NON LOADED)
 - 6 Ausführung nach DIN 60249-2-4
BOARD DESIGN ACCORDING TO DIN 60249-2-4
 - 7 Crimp Kontakt-Nr.
Material: CuSn4 926770-1; 926917-1
CRIMP CONTACT # MATERIAL: CuSn4



THIS DRAWING IS A CONTROLLED DOCUMENT.		DWN MAHNKE, B. 24SEP2004	TE Connectivity	
DIMENSIONS: mm		CHK STREDAK, F. 20DEC2004		
TOLERANCES UNLESS OTHERWISE SPECIFIED:		APVD BLEICHER, M. 27DEC2004	NAME 9 POS. MT-EDGE HOUSING RAST 5mm	
0 PLC ±	±0.15mm	PRODUCT SPEC 108-18003	SIZE A2	CAGE CODE C=1703132
1 PLC ±	±	APPLICATION SPEC 114-18002	DRAWING NO	RESTRICTED TO
2 PLC ±	±	WEIGHT	SCALE 5:1	SHEET 1 OF 1
3 PLC ±	±	MATERIAL PA6.6 / UL94V-2	CUSTOMER DRAWING	REV B
4 PLC ±	±			
ANGLES	±°			
FINISH				