

# 920 Series Midget Flanged Incandescent Lampholders

## Overview

The 920 Series is a relampable midget flanged base lampholder. The mating lens cap accepts a T-1 3/4 midget flanged base incandescent lamp, held in the lens assembly by means of a friction fit which insures good contact and prevents the lamp from falling out when the lens is removed. A Littelite Lens Cap Assembly must be used with the holder to hold the lamp in proper relationship to the socket contact. Also available with RFI/EMI shielded lens to eliminate the possible transmission or reception of RF signals.

## Approvals

UL Recognized. For MIL Spec Lampholders, contact the factory

## Specification

**Housing:** Aluminum. Black anodized finish standard. Clear anodized or yellow iridescent chromate finish optional.

**Internal Tooth Lockwasher & Hex Nut:** Steel. Zinc-plated with yellow iridescent chromate finish.

**Terminals:** Brass. Tin-plated with elongated slot (3/64" x 3/32"). Tapered to accept a quick-connect receptacle.

**Socket:** Brass. Nickel-plated.

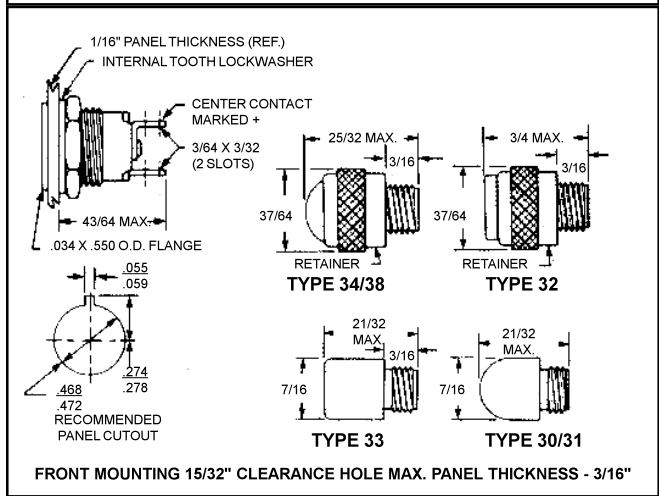
**Lens:** Heat resistant, high strength polycarbonate.

**Lens Marking:** Flat rotatable lenses may be stamped. Contact factory.

**Lens Barrel:** Brass. Nickel-plated.

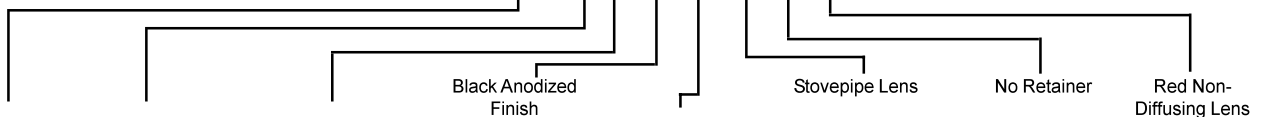
**Retainer:** Aluminum. Black or clear anodized finish.

**920 Series Maximum Rating:** 1.12 Watts, 28 Volts.



## ORDERING INFORMATION:

EXAMPLE: 9 2 0 4 0 1 X 31 0 RN



Series Number	Lampholders				Lens Cap Assembly		
	Termination	Features	Finish	Resistor	Lens Style	Retainer	Lens Color
920	4 Solder Cup	0 None	1 Black Anodized - Standard 2 Clear (Silver) Anodized 3 Yellow Iridescent Chromate	X None Required	31 <sup>4</sup> Stovepipe	0 <sup>3</sup> No Retainer	<b>Nondiffusing</b>
					32 <sup>1,4</sup> Flat Rotatable		AN Amber BN Blue CN Colorless GN Green RN Red WN White YN Yellow
					33 <sup>4</sup> Cylindrical	1 Black Anodized Finish Standard	<b>Translucent</b>
					34 <sup>5</sup> Convex		AT Amber BT Blue GT Green RT Red WT White YT Yellow
					38 <sup>6</sup> Convex	2 Clear (Silver) Anodized Finish	<b>Diffusing</b>
					30 Stovepipe - RFI/EMI Shielded		AD Amber BD Blue CD Colorless GD Green RD Red YD Yellow

<sup>1</sup> Lens Marking Available. Contact the factory.  
<sup>2</sup> Use with type 3 finish on lampholder.  
<sup>3</sup> No retainer required with types 30, 31, and 33 lenses.  
<sup>4</sup> Nondiffusing and Translucent Lens Colors Only.  
<sup>5</sup> Nondiffusing Lens Colors Only.  
<sup>6</sup> Diffusing Lens Colors Only.

# 921 Series Midget Flanged Neon Lampholders

## Overview

The 921 Series is a relampable midget flanged base lampholder designed to accept T-2 neon midget flanged base lamps, including the C7A (NE-2D) Standard Brightness Lamp or the C9A (NE-2J) High Brightness Lamp. Also available with RFI/EMI shielded lens to eliminate the possible transmission or reception of RF signals.

## Approvals

UL Recognized. For MIL Spec Lampholders, contact the factory

## Specifications

**Housing:** Aluminum. Black anodized finish standard. Clear anodized or yellow iridescent chromate finish are optional.  
**Internal Tooth Lockwasher & Hex Nut:** Steel. Zinc-plated with yellow iridescent chromate finish.

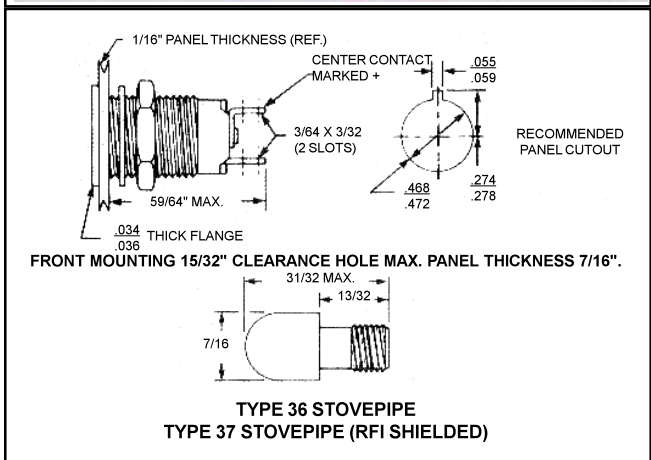
**Terminals:** Brass. Tin-plated with elongated slot (3/64" x 3/32"). Tapered to accept a quick-connect receptacle.

**Socket:** Brass. Nickel-plated.

**Lens:** Heat resistant, high strength polycarbonate.

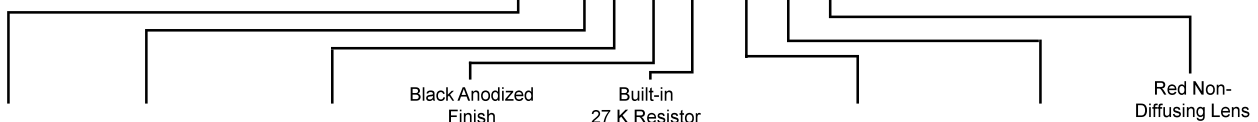
**Lens Barrel:** Brass. Nickel-plated.

**921 Series Maximum Rating:** 3 Watts, 125 Volts.



## ORDERING INFORMATION:

**EXAMPLE: 9 2 1 4 0 1 R 36 0 RN**



Series Number	Lampholders				Lens Cap Assembly		
	Termination	Features	Finish	Resistor	Lens Style	Retainer	Lens Color
921	4 Solder Lug Terminals	0 None	1 Black Anodized - Standard	R 27K OHM	36 Stovepipe 37 <sup>2</sup> Stovepipe - RFI/EMI Shielded	0 No Retainer	Nondiffusing (Clear)
			2 Clear (Silver) Anodized	D 62K OHM			AN Amber
			3 Yellow Iridescent Chromate	S 33K OHM			CN Colorless
				E 100K OHM			RN Red
							WN White (Cloudy)
							YN Yellow

<sup>1</sup> See back page of Littelite section for Lampholder/Resistor Selection.

<sup>2</sup> Use with type 3 finish on lampholder.

# 922, 923 & 924 Midget Flanged Incandescent Lampholders

## Overview

The 922, 923 and 924 Series are relampable midget flanged base lampholders. The mating lens cap accepts a T-1 3/4 midget flanged base incandescent lamp, held in the lens assembly by means of a friction fit which insures good contact and prevents the lamp from falling out when the lens is removed. A Littelites Lens Cap Assembly must be used with the holder to hold the lamp in proper relationship to the socket contact.

## Approvals

UL Recognized.

## Specifications

**Housing:** Brass. Black nickel finish standard. Bright nickel or chrome finish optional.

**Internal Tooth Lockwasher:** Nickel-plated finish.

**Hex Nut:** Brass. 922 and 923 Series: Bright nickel finish. 924 Series: Same finish as housing finish.

**Terminals:** Brass. Tin-plated with elongated slot (3/64" x 3/32"). Tapered to accept a quick-connect receptacle. Center contact marked +.

**Socket:** Brass. Bright nickel-plated.

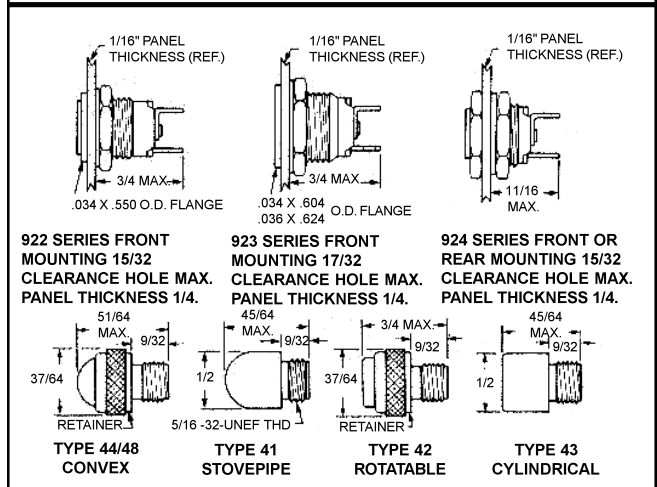
**Lens:** Heat resistant, high strength polycarbonate.

**Lens Marking:** Flat rotatable lenses may be stamped. Contact factory.

**Lens Barrel:** Brass. Nickel-plated.

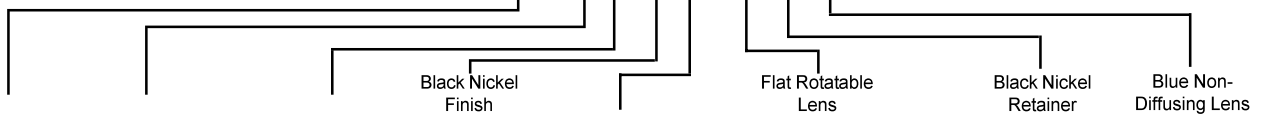
**Lens Retainer:** Brass. Black nickel finish. Bright nickel or chrome finish optional.

**922, 923, 924 Series Max. Rating:** 1.12 Watts, 28 Volts.



## ORDERING INFORMATION:

**EXAMPLE: 9 2 2 4 0 4 X 42 4 BN**



Series Number	Lampholders				Lens Cap Assembly			
	Termination	Features	Finish	Resistor	Lens Style	Retainer	Lens Color	
922	4 Solder Lug Terminals	0 None	4 Black Nickel Standard	X None	41 Stovepipe	0 <sup>2</sup> No Retainer	AN Amber	
923			5 Bright Nickel		42 <sup>1</sup> Flat Rotatable		4 Black Nickel Finish (Standard)	CN Colorless
924			7 Chrome		43 Cylindrical			GN Green
					44 Convex - Nondiffusing Colors Only	5 Bright Nickel Finish	WN White	
					48 Convex - Diffusing Colors Only		7 Chrome Finish	YN Yellow
								<b>Translucent</b>
							AT Amber	
							BT Blue	
							GT Green	
							RT Red	
							WT White	
							YT Yellow	
							<b>Diffusing</b>	
							AD Amber	
							BD Blue	
							CD Colorless	
							GD Green	
							RD Red	
							YD Yellow	

<sup>1</sup> See back page of Littelite section for Lampholder/Resistor Selection.

<sup>2</sup> Use with type 3 finish on lampholder.

# 925, 926 & 927 Midget Flanged Incandescent & Neon Lampholders

## Overview

The 925, 926 and 927 Series are relampable midget flanged base lampholders for drip proof applications. Use with T-1 3/4 incandescent or T-2 neon midget flanged base lamps. Lampholders are furnished with rubber gaskets and mate with skirted lenses, which have Neoprene O-rings installed.

## Approval

UL Recognized.

## Specification

**Housing & Knurled Ring Nut:** Aluminum. Black anodized finish standard (Ring Nut Part No. 903-075-010). Clear anodized finish optional (Ring Nut Part No. 903-075-011).

**Internal Tooth Lockwasher & Hex Nut:** Steel. Zinc-plated and clear chromate treated.

**Terminals:** Brass. Tin-plated with elongated slot (3/64" x 3/32"). Tapered to accept a quick-connect receptacle. Center contact marked +.

**Socket:** Brass. Nickel-plated.

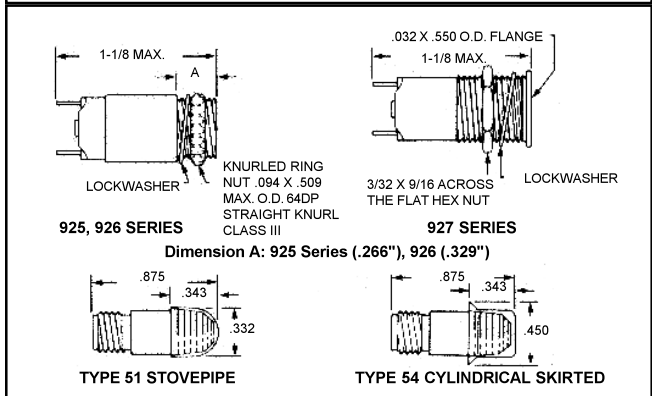
**Lens:** Heat resistant, high strength polycarbonate.

**Lens Barrel:** Brass. Nickel-plated.

**Gasket:** Silicone rubber.

**"O" Ring:** Neoprene.

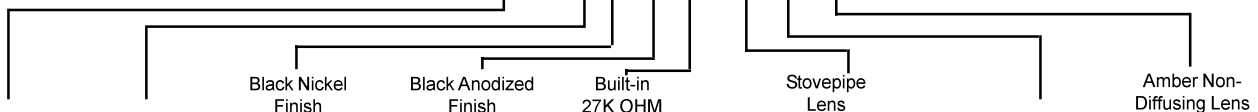
**925, 926, 927 Series Max. Rating:** 3 Watts, 125 Volts.



## ORDERING INFORMATION:

Lampholders and lens caps may be ordered separately or as complete assemblies as shown in the example below:

**EXAMPLE: 9 2 5 4 0 1 R 51 0 AN**



Series Number	Lampholders				Lens Cap Assembly		
	Termination	Features	Finish	Resistor	Lens Style	Retainer	Lens Color
925 <sup>1</sup>	4 Solder Lug	0 None (standard)	1 Black Anodized (standard)	X None	<b>FRESNEL</b> (Use with nondiffusing lens colors only)	0 No Retainer	<b>AN</b> Amber <b>BN</b> <sup>2</sup> Blue <b>CN</b> Colorless <b>GN</b> <sup>3</sup> Green <b>RN</b> Red <b>WN</b> White (Cloudy) <b>YN</b> Yellow
926 <sup>1</sup>					51 Stovepipe		
927					52 Cylindrical Skirted Drip Proof		
		2 <sup>2</sup> Drip Proof	2 Clear (Silver) Anodized	R 27K OHM for C9A (NE-2J) lamp	53 Cylindrical		
				D 62K OHM for C7A (NE-2D) lamp	54 Cylindrical Skirted		
					<b>SMOOTH</b> (Use with translucent lens colors only)		
					56 Stovepipe		<b>Translucent</b> <sup>3</sup> <b>AT</b> Amber <b>BT</b> Blue <b>GT</b> Green <b>RT</b> Red <b>WT</b> White <b>YT</b> Yellow
					57 Cylindrical Skirted Drip Proof		
					58 Cylindrical		
					59 Cylindrical Skirted		

<sup>1</sup> A mounting wrench, #097013, is available for tightening the knurled ring nuts.  
<sup>2</sup> Requires Lens Cap Style 52 or 57.  
<sup>3</sup> Not recommended for use with neon lamps.  
<sup>4</sup> No resistor required for incandescent lamps.