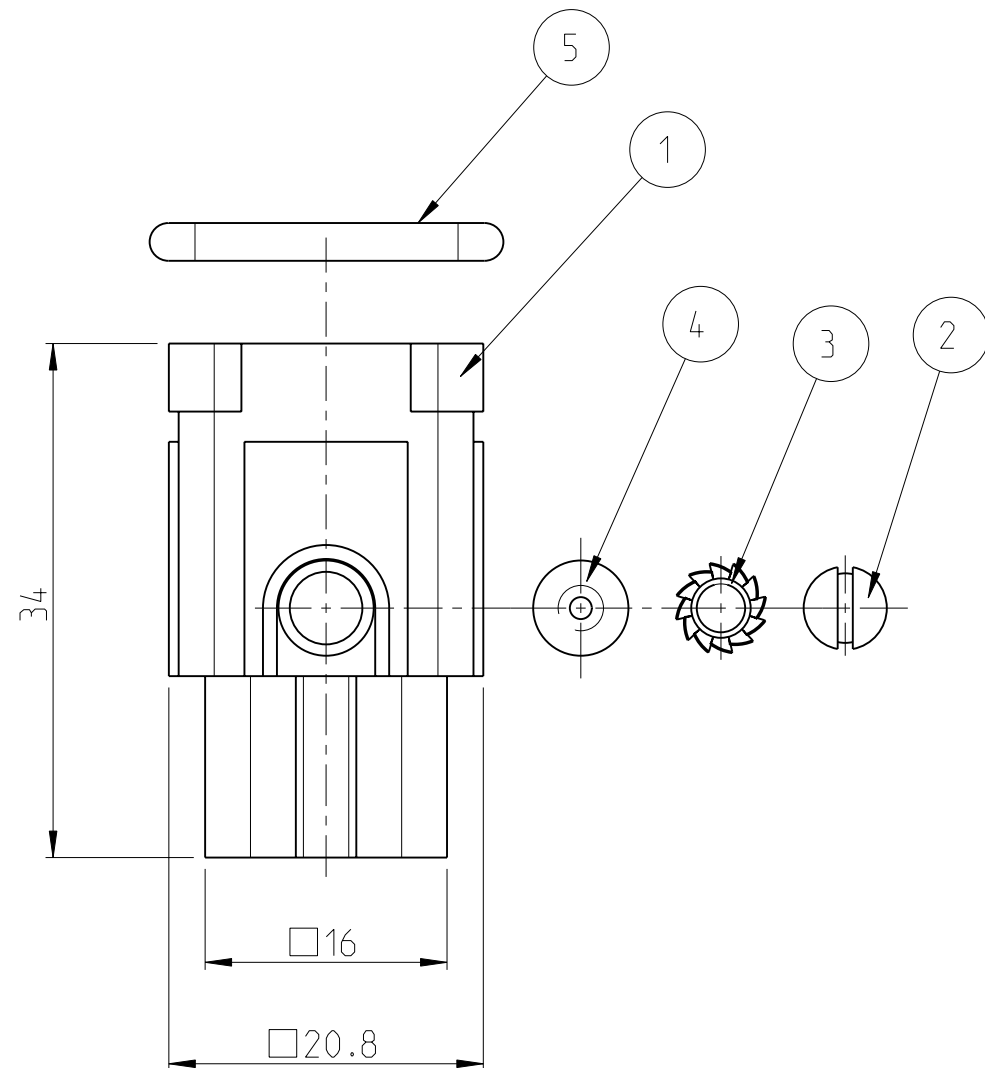
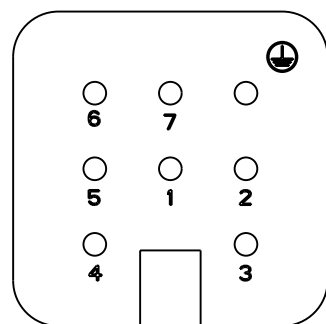


LOC	DIST	REVISIONS					
		P	LTR	DESCRIPTION	DATE	DWN	APVD
A1	-		A4	ECR-11-001857	26JAN2011	SR	TV



NOTES:
 1 MATERIAL: INSERT, PC
 UL-FILE Nr.: E101788(R)
 SEALING: NEOPRENE

CONTACT ARRANGEMENT VIEW FROM TERMINATION SIDE



1	INSTRUCTION LEAFLET			6	
1	PROFILE SEAL	NEOPRENE	BLACK	5	
1	SCREW THREAD INSERT	BRASS		4	M3x5.5
1	SERRATED LOCK WASHER	STAINL. STEEL		3	V3.2
1	SINK SCREW	STAINL. STEEL		2	M3x6
1	PIN INSERT	LEXAN	LIGHT GREY	1	
2-3	DESCRIPTION	MATERIAL	COLORE	ITEM	NOTES
HD.7.STI.C					

DIMENSIONS:		TOLERANCES UNLESS OTHERWISE SPECIFIED:		DWN		Tyco Electronics		Tyco Electronics AMP GmbH	
mm		0 PLC	±-	SCHNEIDER 16NOV2009		53757 Sankt Augustin Germany			
		1 PLC	±-	CHK SCHWEIGER 16NOV2009		NAME		contact arrangement HD.7	
		2 PLC	±-	APVD -		HN.D.7.STI.C			
		3 PLC	±-	PRODUCT SPEC -		SIZE		RESTRICTED TO	
		4 PLC	±-	APPLICATION SPEC -		A3 00779		-	
		ANGLES	±1°	WEIGHT -		DRAWING NO		-	
MATERIAL -		FINISH -		CUSTOMER DRAWING		C=1103102		-	
				SCALE 2:1		SHEET 1 OF 1		REV A4	