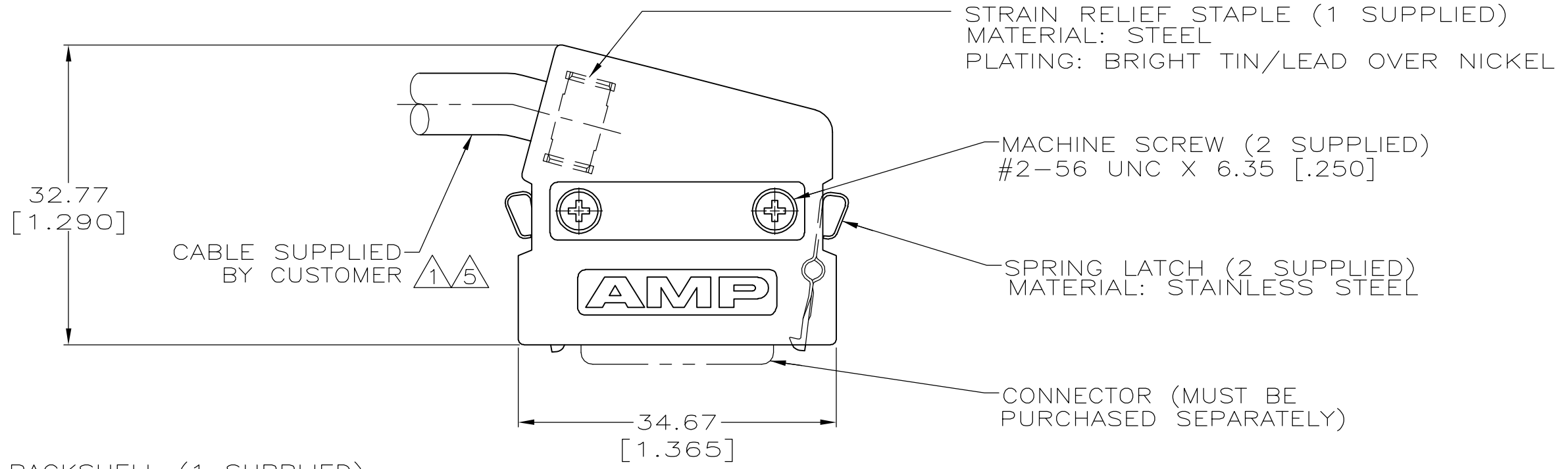
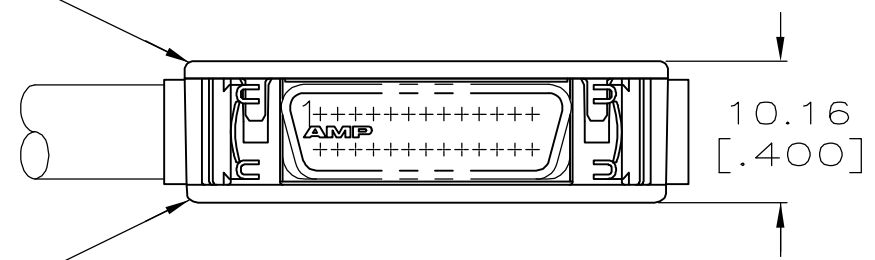


LOC	DIST	REVISIONS					
GP	00	P	LTR	DESCRIPTION	DATE	DWN	APVD
			E1	REVISED PER ECO-05-009847	10FEB06	BM	SS



UPPER BACKSHELL (1 SUPPLIED)
 MATERIAL: ZINC
 PLATING: NICKEL OVER COPPER



LOWER BACKSHELL (1 SUPPLIED)
 MATERIAL: ZINC
 PLATING: NICKEL OVER COPPER

	△4	△5	△6	749609-3
OBSOLETE	△4	△1		749609-2
	△3	△1		749609-1
	PACKAGING	MAX CABLE DIA.	PART NUMBER	

- △1 6.86 [.270] MAX CABLE DIA.
- 2. DIMENSIONS IN BRACKETS ARE IN INCHES.
- △3 PACKAGED ONE KIT PER BAG.
- △4 BULK PACKAGED.
- △5 8.13 [.320] MAX CABLE DIA.
- △6 PRELIMINARY, NOT RELEASED FOR PRODUCTION.

THIS DRAWING IS A CONTROLLED DOCUMENT.		DWN M.MCCAFFREY 05/08/89	tyco Tyco Electronics Corporation	
DIMENSIONS: mm[INCHES]		CHK M.E.SHIRK 05/11/89	Electronics Harrisburg, PA 17105-3608	
TOLERANCES UNLESS OTHERWISE SPECIFIED:		APVD -	NAME	
0 PLC ± -		PRODUCT SPEC -	INDIVIDUAL KIT, UNASSEMBLED, 26 POSITION,	
1 PLC ± -		APPLICATION SPEC -	75 DEGREE EXIT, UNKEYED,	
2 PLC ± -		WEIGHT -	SIZE A3	CAGE CODE 00779
3 PLC ± 0.38 [.015]		CUSTOMER DRAWING	DRAWING NO C-749609	RESTRICTED TO -
4 PLC ± -			SCALE 2:1	SHEET 1 of 1
ANGLES ± -				REV E1
MATERIAL -	FINISH -			