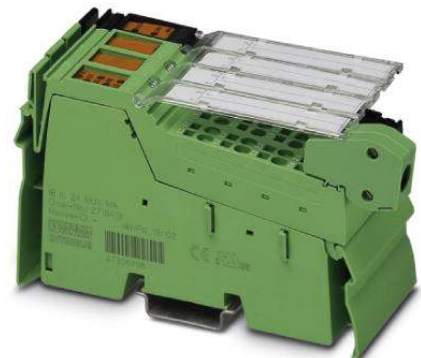


IB IL 24 MUX MA-PAC


Order No.: 2861205



<http://eshop.phoenixcontact.de/phoenix/treeViewClick.do?UID=2861205>

Inline field multiplexer, complete with accessories (connector and labeling field), transmission of very remote signals without configuration



Commercial data	
GTIN (EAN)	 4 017918 902506
sales group	K040
Pack	1 pcs.
Customs tariff	85389091
Catalog page information	Page 265 (AX-2009)

Product notes

WEEE/RoHS-compliant since:
04/07/2008



<http://www.download.phoenixcontact.com>
Please note that the data given here has been taken from the online catalog. For comprehensive information and data, please refer to the user documentation. The General Terms and Conditions of Use apply to Internet downloads.

Technical data

Interfaces	
Interface	Inline local bus
Type of connection	Inline data jumper
Interface	Inline remote bus

Type of connection	Inline shield connector
Interface	Supply voltage
Type of connection	8-pos. Inline power connector

Power supply

Typical current consumption	< 60 mA (without connected I/O terminal blocks (24 V DC supply))
	1.25 A (with max. number of connected I/O terminal blocks (24 V DC supply))
	8 A (If this value is exceeded, further power or segment terminals must be used!)
Max. total permissible current consumption of all I/O terminal blocks	Communications power (7,5 V DC) \leq 2 A
	Analog supply (24 V DC) \leq 0.5 A
Supply voltage	24 V DC
Supply voltage range	19.2 V DC ... 30 V DC (including ripple)

Electrical isolation

Test section	RS-485 interface / supply voltage 500 V AC
	RS-485 interface / local bus 500 V AC

INTERBUS data

Number of local bus devices that can be connected	63
---	----

General data

Width	48.8 mm
Height	135 mm
Depth	71.5 mm
Weight	212 g
Name	Inline connectors
Type of connection	Spring-cage connection
Conductor cross section solid min.	0.08 mm ²
Conductor cross section solid max.	1.5 mm ²
Conductor cross section stranded min.	0.08 mm ²
Conductor cross section stranded max.	1.5 mm ²
Conductor cross section AWG/kcmil min.	28
Conductor cross section AWG/kcmil max	16
Degree of protection	IP20

Ambient temperature (operation)	-25 °C ... 55 °C
Ambient temperature (storage/transport)	-25 °C ... 85 °C
Permissible humidity (operation)	75 % ... 85 %
Permissible humidity (storage/transport)	75 % ... 85 %

Inline potential routing

Communications power U_L	7.5 V DC \pm 5%
Power supply at U_L	2 A DC (observe derating)
Main circuit supply U_M	24 V DC -15% / +20% (in acc. with EN 61131-2)
Power supply at U_M	max. 8 A DC (Sum of U_M + U_S)
Segment supply voltage U_S	24 V DC -15% / +20% (in acc. with EN 61131-2)
Power supply at U_S	max. 8 A DC (Sum of U_M + U_S)
I/O supply voltage U_{ANA}	24 V DC -15% / +20% (in acc. with EN 61131-2)
Power supply at U_{ANA}	0.5 A DC (observe derating)

Certificates / Approvals



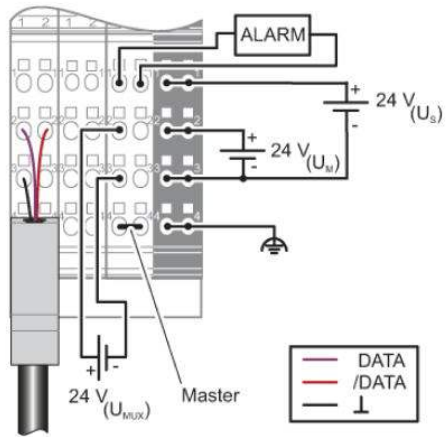
Certification	CUL, GOST, UL
Certification Ex:	CUL-EX LIS, PxC-EX, UL-EX LIS

Accessories

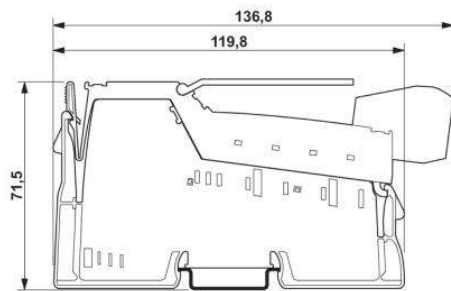
Item	Designation	Description
General		
2878476	IB IL MUX-CAB PSI	Adapter cable for the connection of the field multiplexer to the PSI-MOS interface module
Marking		
0809502	ESL 62X46	Insert strip for laser printer, lettering field: 62 x 46 mm
2727515	IB IL FIELD 8	Labeling field, width: 48.8 mm
Plug/Adapter		
2836036	IB IL MUX-PLSET	Plug set, for Inline field multiplexers

Diagrams/Drawings

Connection diagram



Dimensioned drawing



Address

PHOENIX CONTACT Deutschland GmbH
Flachmarktstr. 8
32825 Blomberg, Germany
Phone +49 5235 3 12000
Fax +49 5235 3 41200
<http://www.phoenixcontact.de>



© 2011 Phoenix Contact
Technical modifications reserved;