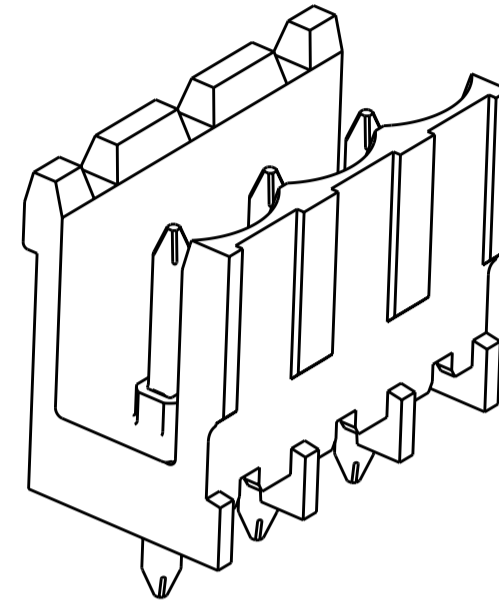
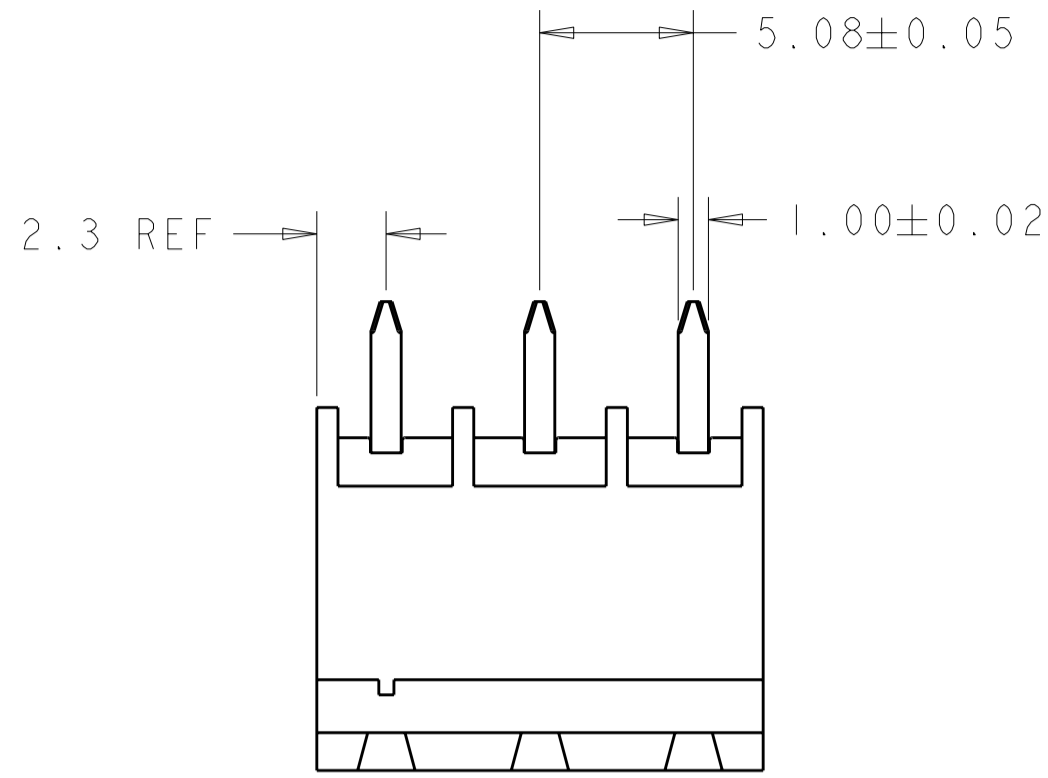
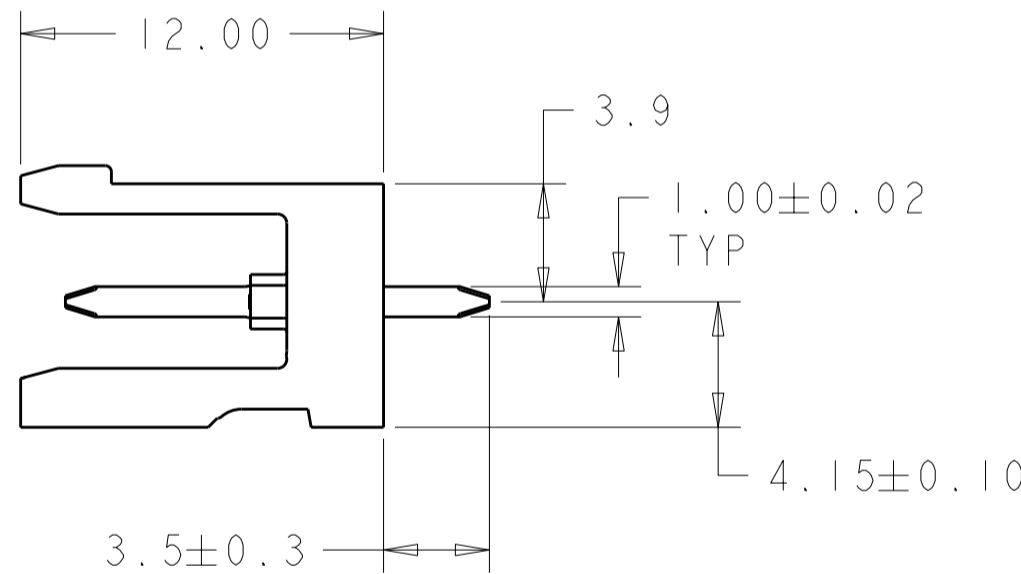
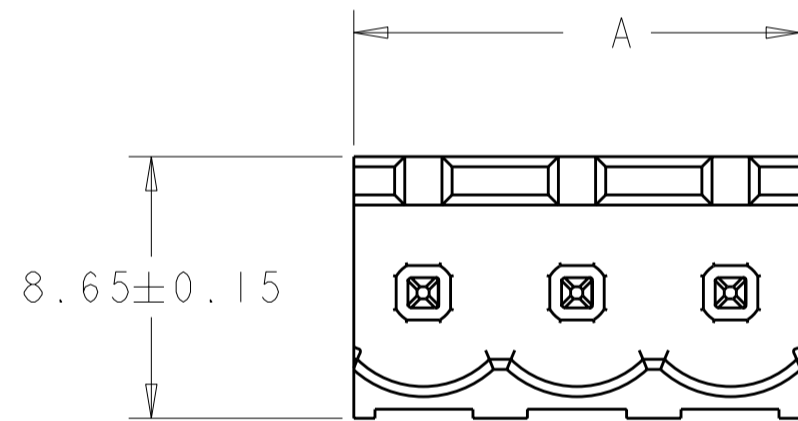


THIS DRAWING IS UNPUBLISHED. RELEASED FOR PUBLICATION 20  
 © COPYRIGHT 20 Tyco Electronics AMP GmbH ALL RIGHTS RESERVED.

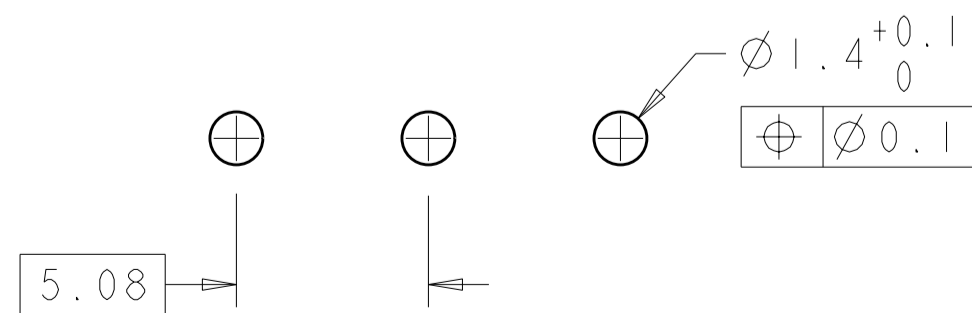
LOC		DIST		REVISIONS			
P	LTR	DESCRIPTION	DATE	DWN	APVD		
	02	REVISED PER ECO-12-007711	26APR2012	KH	MS		



- △ MATERIALS AND FINISH:  
 HOUSING: HIGH TEMPERATURE POLYAMIDE, UL 94V-0 RATED,  
 COLOR: BLACK.  
 TERMINAL: COPPER ALLOY, FINISH: TIN PLATED.
- SUITABLE FOR 1,6-2,4mm PC BOARD THICKNESS.
  - END-TO-END STACKABLE WITHOUT LOSS OF CENTERLINE SPACING.
  - RECOGNIZED UNDER THE COMPONENT PROGRAM OF UNDERWRITERS LABORATORIES INC. FILE N°E60677.
  - IMQ CERTIFICATE WITH SURVEILLANCE IN CONFORMITY WITH IEC 998-1/998-2-1.
  - UL RATING: 300V, 15A.



60.48±0.20	12	1-1776139-2
55.40±0.20	11	1-1776139-1
50.32±0.10	10	1-1776139-0
45.24±0.15	9	1776139-9
40.16±0.15	8	1776139-8
35.08±0.15	7	1776139-7
30.00±0.15	6	1776139-6
24.92±0.10	5	1776139-5
19.84±0.10	4	1776139-4
14.76±0.10	3	1776139-3
9.68±0.10	2	1776139-2
A	NO OF POSN	PART NUMBER



RECOMMENDED PC BOARD LAYOUT

THIS DRAWING IS A CONTROLLED DOCUMENT.		DWN S. WELDON 03JUN2005	TE Connectivity	
DIMENSIONS: mm		CHK C. RICHARD 03JUN2005		
TOLERANCES UNLESS OTHERWISE SPECIFIED:		APVD C. RICHARD 03JUN2005	NAME: TERMINAL BLOCK HEADER ASSEMBLY	
0 PLC ±-		PRODUCT SPEC 108-20166	180 DEGREE OPEN ENDS, STACKING	
1 PLC ±.3		APPLICATION SPEC 114-20079	5.08mm PITCH	
2 PLC ±.25		WEIGHT -	SIZE A2	CAGE CODE 00779
3 PLC ±-		CUSTOMER DRAWING	DRAWING NO 1776139	RESTRICTED TO -
4 PLC ±-			SCALE 3:1	SHEET 1 OF 1
ANGLES ±2				
FINISH △ -				