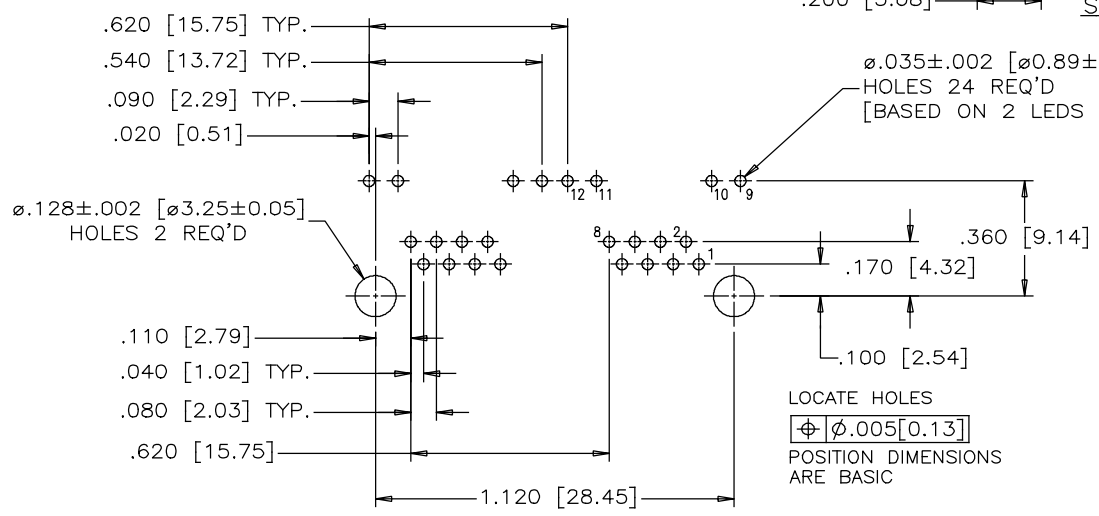
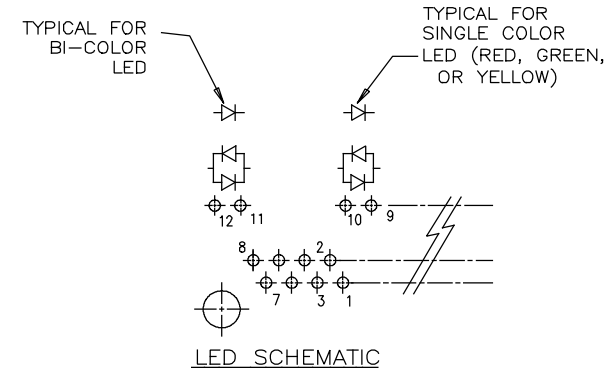
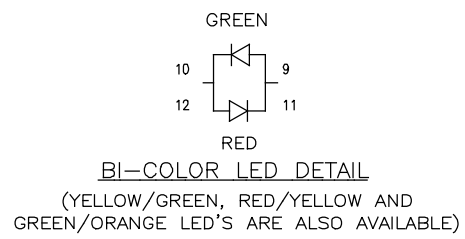
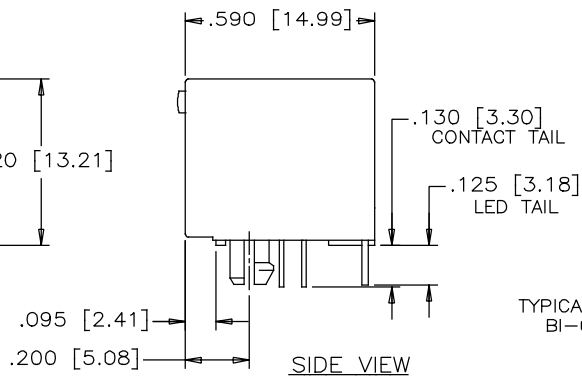
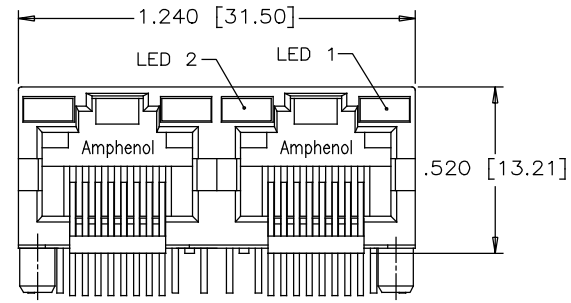


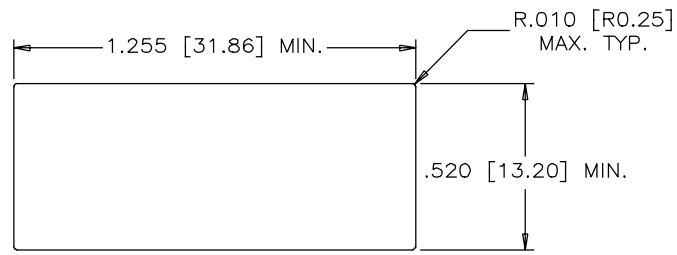
REVISIONS			
REV	DESCRIPTION, ECN, EAR NO.	DATE	APP'D
A	PROPOSAL	MAR13/18	L.CHAN



MATERIALS:
 PLASTIC HOUSING: HIGH TEMPERATURE THERMOPLASTIC
 FLAMMABILITY RATING UL 94V-0, COLOR BLACK

CONTACTS: PHOSPHOR BRONZE
 PLATING: GOLD PLATING ON MATING SURFACE.
 [SEE PART NUMBER FOR THICKNESS]
 50 μ" [1.27 MICRONS]
 MIN. NICKEL UNDERPLATE
 100 μ" [2.54 MICRONS]
 MIN. MATTE TIN ON CONTACT TAILS.

RECOMMENDED P.C.B. LAYOUT
 (COMPONENT SIDE OF BOARD)



RECOMMENDED PANEL CUTOUT



PART NUMBER: RJHSE-X08X-A2

GOLD PLATING
 E=RJ45 FLAT CONTACT 6u"
 G=RJ45 FLAT CONTACT 15u"
 J=RJ45 FLAT CONTACT 30u"
 5=RJ45 FLAT CONTACT 50u"

REFER TO LED OPTIONS
 DRAWING FOR ORDERING
 CODES

UNLESS SPECIFIED OTHERWISE		DRAWN	W.QIU	DATE	MAR13/18
PRIMARY UNITS	INCH	CHECKED	L.CHAN	DATE	MAR13/18
SECONDARY	MILLIMETER	M.E. APP'D		Q.A. APP'D	
REFERENCE IN PARENTHESES		DWG APPR.		ENG. REL. NO.	
GENERAL TOLERANCES		REF.		THIRD ANGLE PROJECTION	
1 DECIMAL PLACE	±0.025			DO NOT SCALE DRAWING	
2 DECIMAL PLACES	±0.020				
3 DECIMAL PLACES	±0.015				
ANGULAR DEGREES	±1.0°				

Amphenol Canada Corp. www.amphenolcanada.com	
TITLE 2-PORT HIGH SPEED RJ45, 8P8C WITHOUT SHIELD, WITH LEDS, 0.13" LONG CONTACT TAIL, -RoHS COMPLIANT	
DWG. NO. P-RJHSE-X08X-A2	REV A
CODE ID NO. 03554 DWG SIZE: C SCALE: N/A SHEET 1 OF 1	