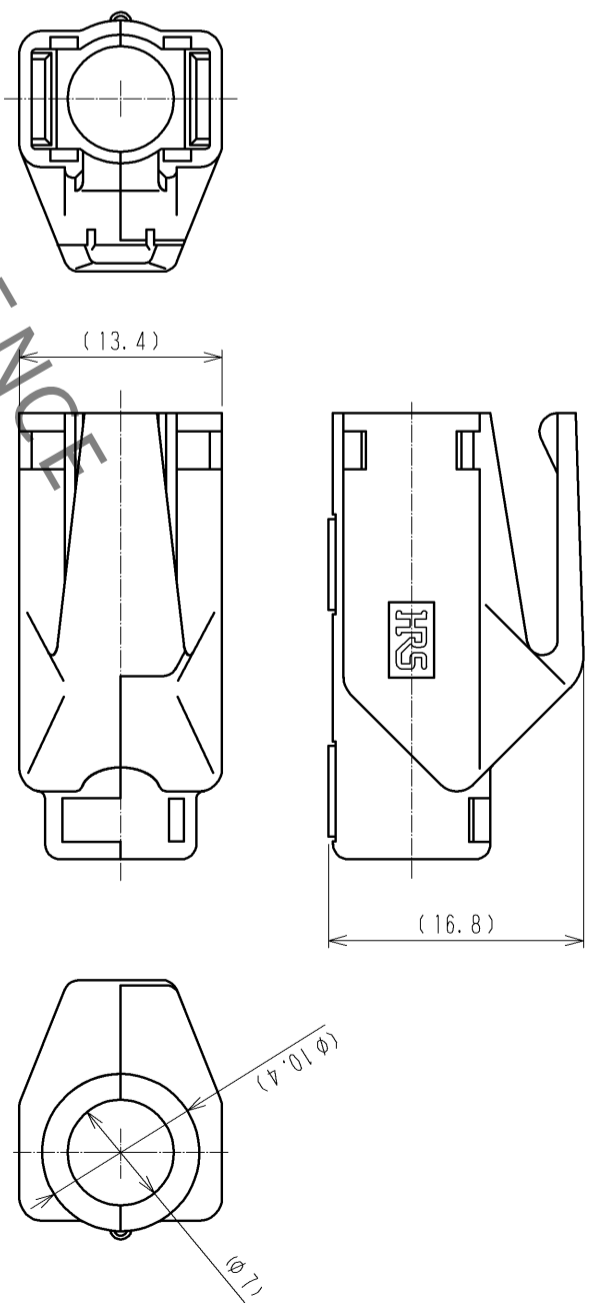


NOTE 1. ( ) INDICATES THE REFERENCE DIMENSIONS.  
 2. COLORS ARE SHOWN IN TABLE-1.  
 3. PER PACK : 50 PIECES.

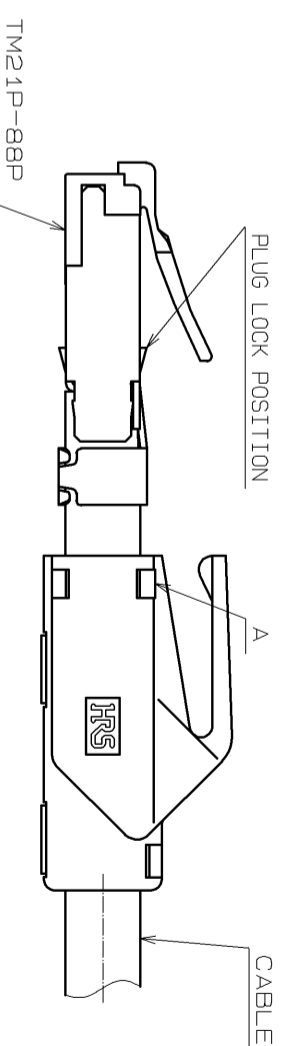
TABLE-1

PART No.	HRS No.	COLOR
TM21P-88P(11)	CL222-2862-9-11	LIGHT BEIGE
TM21P-88P(12)	CL222-2862-9-12	MEDIUM GRAY
TM21P-88P(13)	CL222-2862-9-13	BLACK
TM21P-88P(14)	CL222-2862-9-14	NATURAL LIGHT GRAY
TM21P-88P(15)	CL222-2862-9-15	RED
TM21P-88P(16)	CL222-2862-9-16	GREEN
TM21P-88P(17)	CL222-2862-9-17	BLUE
TM21P-88P(18)	CL222-2862-9-18	YELLOW
TM21P-88P(19)	CL222-2862-9-19	ORANGE
TM21P-88P(32)	CL222-2862-9-32	WHITE
TM21P-88P(33)	CL222-2862-9-33	VIOLET
TM21P-88P(34)	CL222-2862-9-34	PINK

ATTACHED HOOD CLOSED

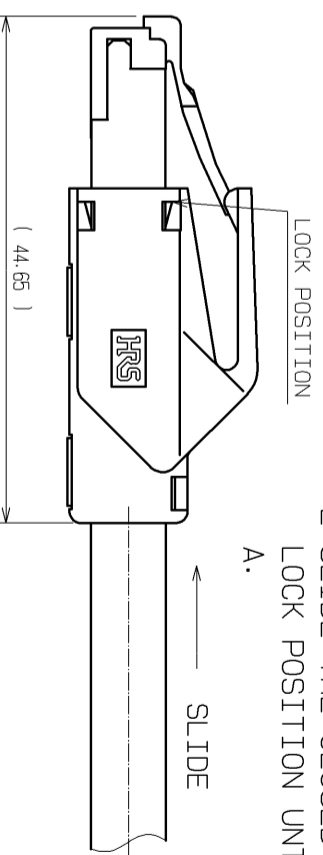


HOOD ATTACHMENT PROCEDURE (FREE)



1. FIT THE OPENED HOOD ON THE CABLE AND CLOSE. HOOD DIRECTION IS SHOWN AS AN EXAMPLE.

2. SLIDE THE CLOSED HOOD TO THE PLUG LOCK POSITION UNTIL BEING LOCKED AT A.



NO.	MATERIAL	FINISH	REMARKS	NO.	MATERIAL	FINISH	REMARKS
1	POLYAMIDE	UL94V-2					

UNITS	SCALE	COUNT	DESCRIPTION OF REVISIONS	DESIGNED	CHECKED	DATE
mm	2 : 1	3	DIS-E-001276	TS: ITO	HO: MIWA	07.02.14

CHECKED	DESIGNED	DRAWING	PART NO.
TH. KAMEYA	SS. SATOH	EDC3-121484-01	TM21P-88P(**)

APPROVED	DESIGNED	DRAWN
HO: MIWA	SS: SATOH	SS: SATOH