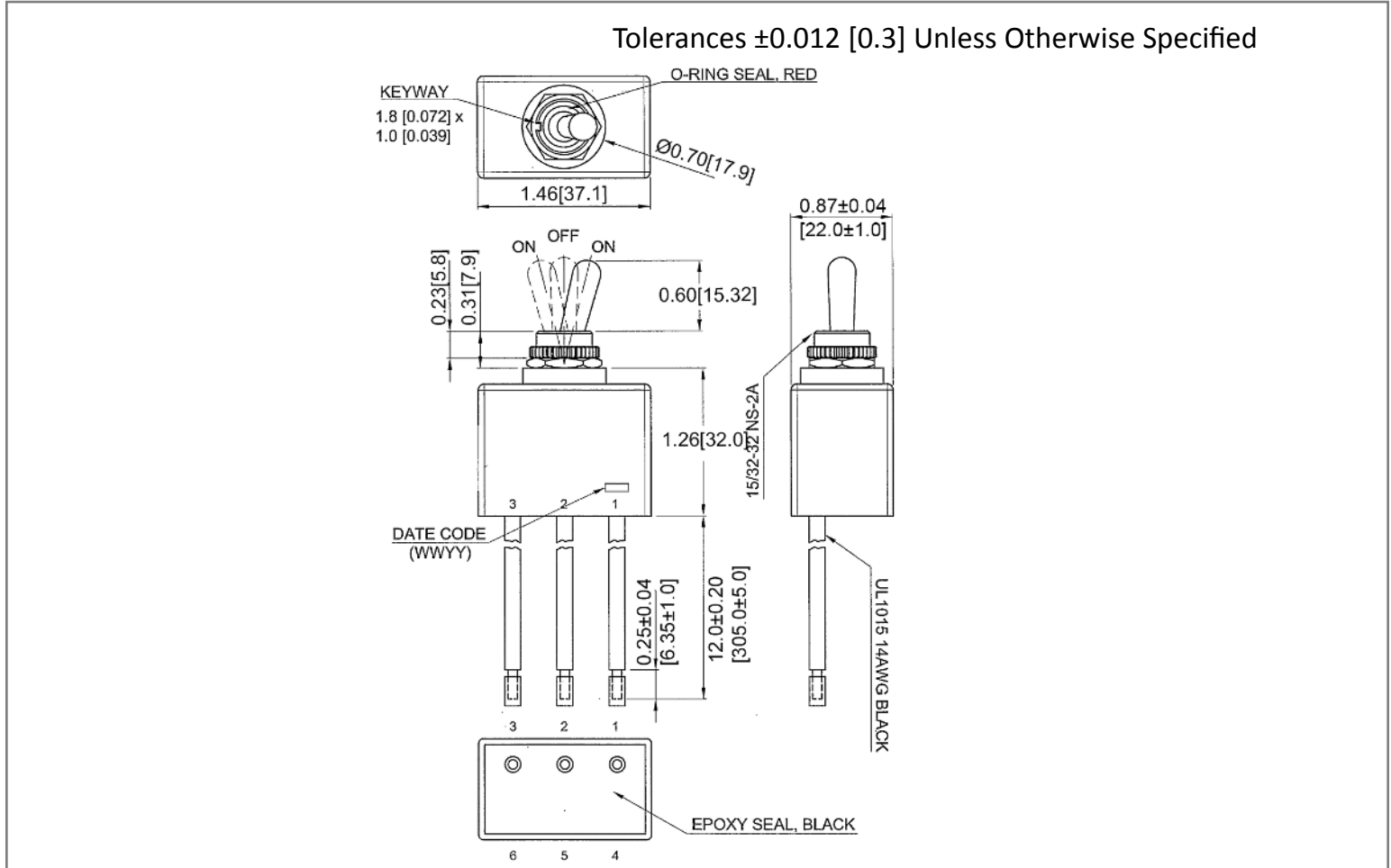
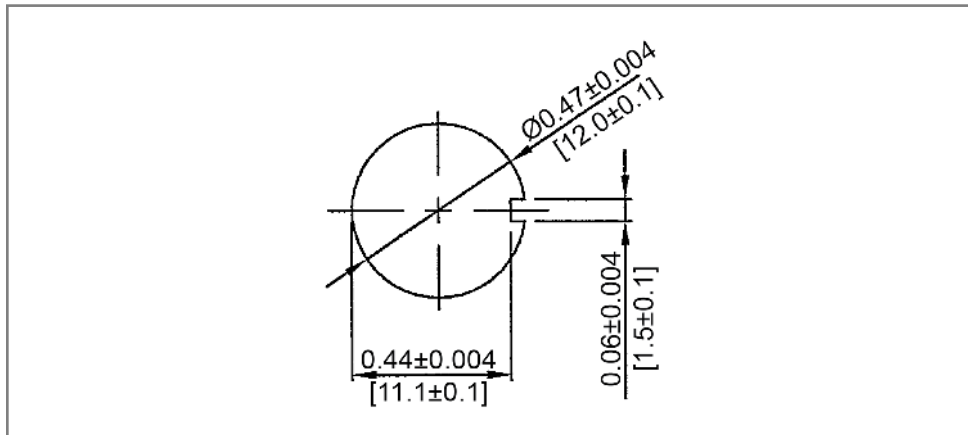


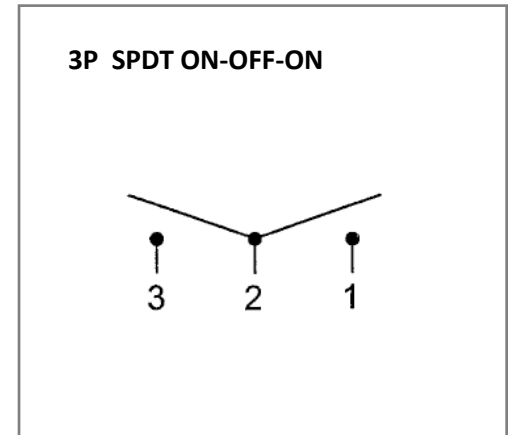
## Mechanical Dimensions: Inches [mm]



## Mounting Hole



## Circuit Diagram



## Electrical Specifications

Rating	25A 12V DC, 15A 24V DC
Contact Resistance	50m ohm Max
Insulation Resistance	DC 500V 100M ohm Min
Dielectric Strength	AC 1500V 1 minute
Operation Temperature	-40°C ~ 85°C

## Material Specifications

Frame	Black, PBT+15%GF
Contacts	Cooper Alloy+AgSnO <sub>2</sub> InO <sub>3</sub>
Toggle   Brushing	Brass, nickel plated
Hex nut   Knurl nut	Brass, nickel plated
Waterproof	IP67

<b>Rev</b>	<b>Date of issue</b>	<b>Revision Notes</b>	<b>Designed</b>	<b>Approved</b>
A	07-13-2021	Initial Drawing	RC	OF