

## HC-K-KV-M40(19-28)


Order No.: 1690655

The illustration shows version HC-K-KV-M20

<http://eshop.phoenixcontact.de/phoenix/treeViewClick.do?UID=1690655>

Plastic screw connection up to 5 bar, thread length: 10 mm, cable diameter: 19 - 28 mm, WAF 46, screw connection: M40

### Commercial data

GTIN (EAN)	
sales group	D290
Pack	10 pcs.
Customs tariff	39269097
Catalog page information	Page 520 (PC-2009)

### Product notes

WEEE/RoHS-compliant since:  
03/13/2007

<http://www.download.phoenixcontact.com>  
Please note that the data given here has been taken from the online catalog. For comprehensive information and data, please refer to the user documentation. The General Terms and Conditions of Use apply to Internet downloads.

### Technical data

#### General data

Type of the screw connection	M40
Cable gland material	Polyamide, RAL 7035
Seal material	Neoprene
Cable seal material	Neoprene
Wrench size, union nut	46 mm

Wrench size, support	46 mm
Thread type connection side 1	M40
Length of the connecting thread	10.00 mm
External cable diameter	19 mm ... 28 mm
Conductor sealing range	19.00 mm ... 28.00 mm
Tightening torque, union nut	10.00 Nm
Inflammability class acc. to UL 94	V2
Degree of protection	IP68, to 5 bar
Color	Silver gray
Ambient temperature (operation)	-20 °C ... 100 °C

### Certificates / Approvals

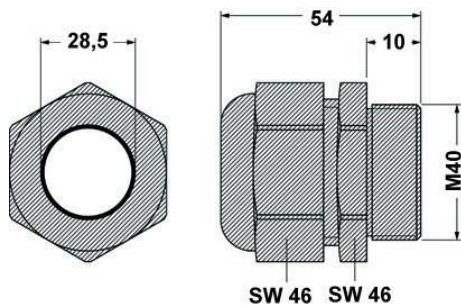


Certification

GOST

### Diagrams/Drawings

Dimensioned drawing



**Address**

PHOENIX CONTACT Deutschland GmbH  
Flachmarktstr. 8  
32825 Blomberg, Germany  
Phone +49 5235 3 12000  
Fax +49 5235 3 41200  
<http://www.phoenixcontact.de>



© 2010 Phoenix Contact  
Technical modifications reserved;