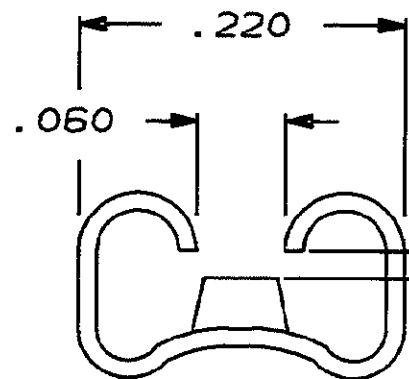
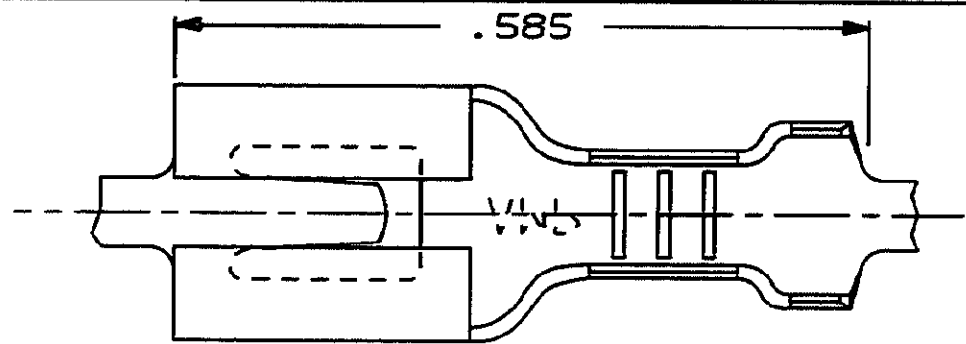


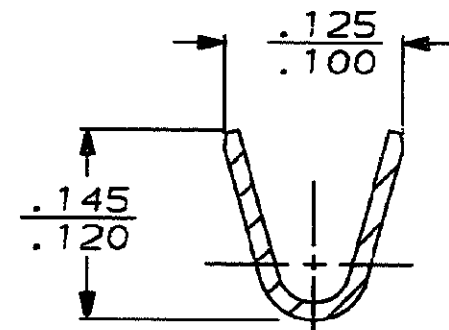
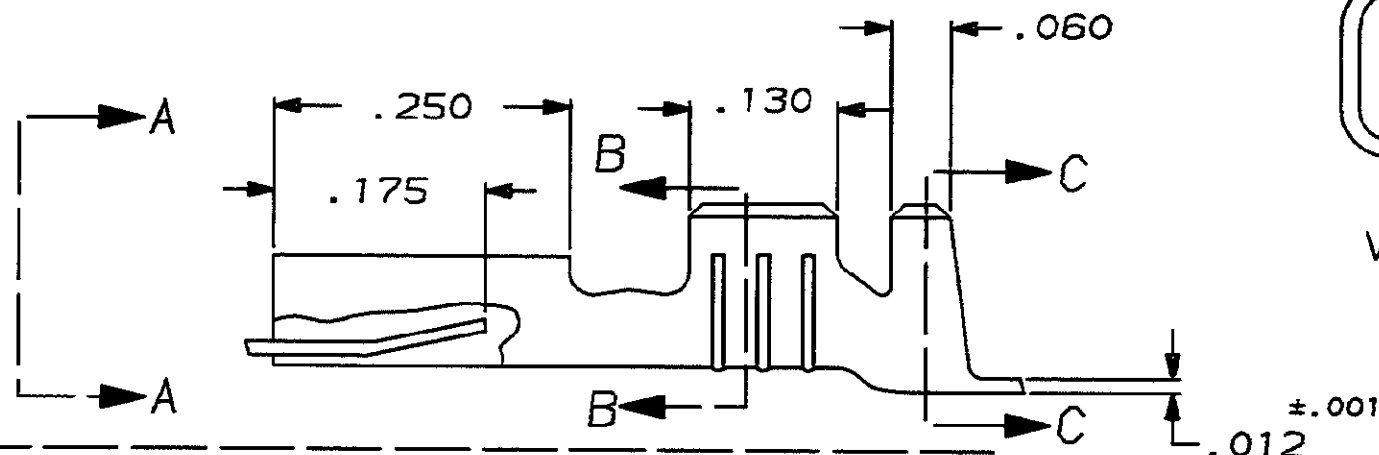
THIS DRAWING IS UNPUBLISHED. RELEASED FOR PUBLICATION .19
 © COPYRIGHT 1970 BY AMP INCORPORATED, HARRISBURG, PA. ALL INTERNATIONAL RIGHTS RESERVED. AMP PRODUCTS MAY BE COVERED BY U.S. AND FOREIGN PATENTS AND/OR PATENTS PENDING.

LOC	DIST	REVISIONS				
AF	50	P	F	ZONE	LTR	
					D	
DESCRIPTION					DATE	APPROVED
REV PER 0086-93					4/14/93	JR/JG

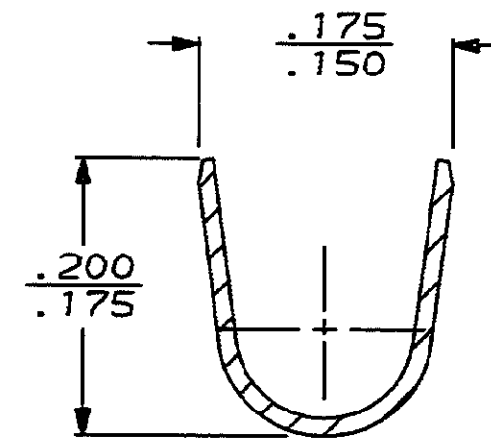


VIEW A-A

FITS .187 X .062±.001 FASTON TAB

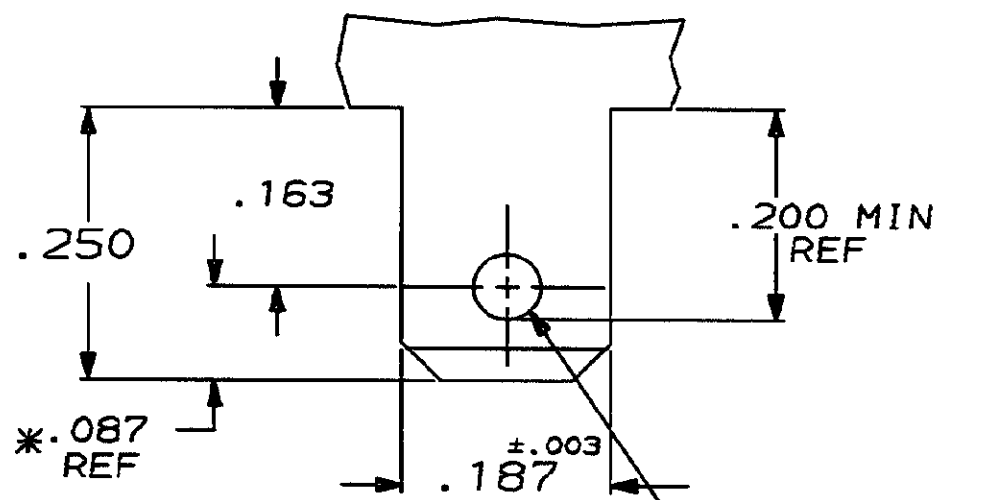


SECTION B-B



SECTION C-C

RECOMMENDED MATING TAB
 MATL: 1/2 H BRASS OR NICKEL PL STL



* TO BE USED ONLY WHEN SHOULDER IS ELIMINATED

.090-.130	20-16	61939-1
INSULATION RANGE	WIRE SIZE	PART NO

UNLESS OTHERWISE SPECIFIED DIMENSIONS ARE IN INCHES
 TOLERANCES ON:
 2 PL DEC ± -
 3 PL DEC ± .015
 ANGLES ± -

DR 7/29/86
 JR RUTH
 CHK 8/8/86
 G YETTER
 APPD 8/15/86
 J GILLESPIE

MATERIAL
 #4H PHOS BRONZE

APPD 8/15/86
 R RIZZO
 PRODUCT SPEC

FINISH

APPLICATION SPEC

WEIGHT

AMP AMP INCORPORATED
 Harrisburg, Pa. 17105

NAME
 RECPT, FASTON, LOCK-ON,
 .187 SERIES

SIZE **B** FSCM NO 00779 DRAWING NO 61939

SCALE NTS SHEET 1 OF 1