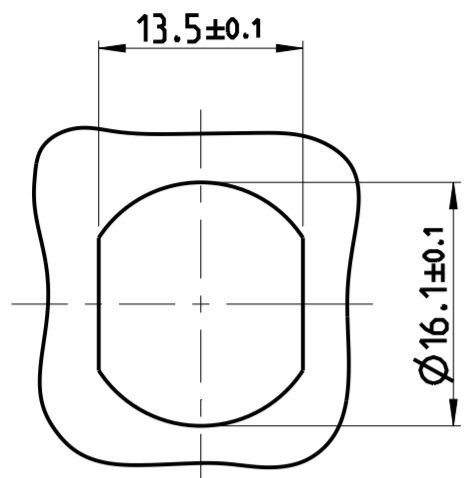


THIS DRAWING IS UNPUBLISHED.
 VERTRÄGLICHE UNVERÖFFENTLICHTE ZEICHNUNG
 © COPYRIGHT 2014 Tyco Electronics AMP GmbH
 RELEASED FOR PUBLICATION
 FREI FÜR VERÖFFENTLICHUNG
 2014
 ALL RIGHTS RESERVED.
 ALLE RECHTE VORBEHALTEN.
 DATED WITH
 PASSENDE ZU

PROJECT NO.:
 PRJ-14-00000805

P		LTR	REVISIONS ÄNDERUNGEN	DATE	DWN	APVD
			DESCRIPTION BESCHREIBUNG			
	A1		DRAWING PUBLISHED	29APR2014	YR	CS

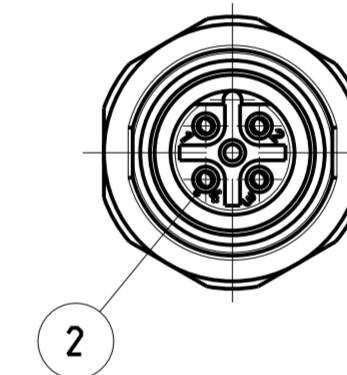
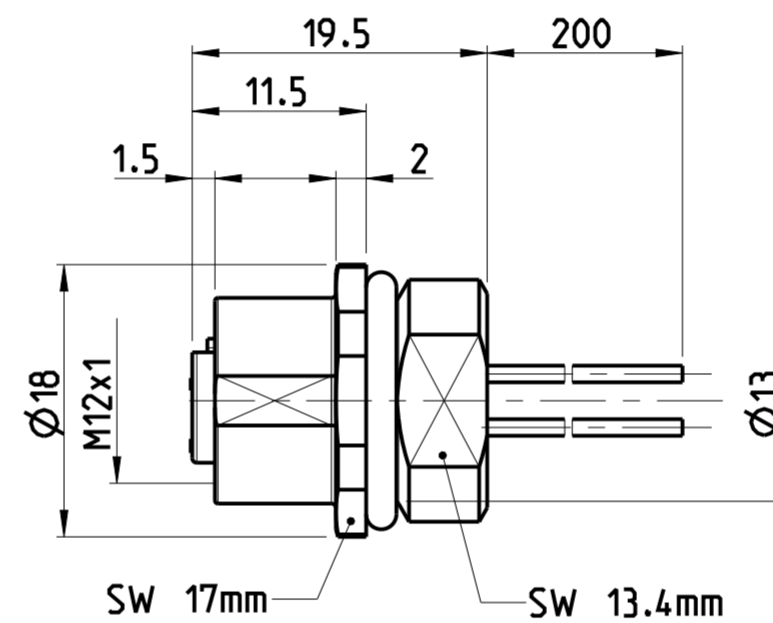
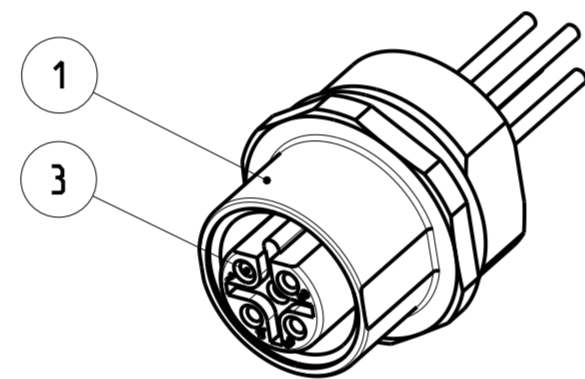
RECOMMENDED CUT-OUT



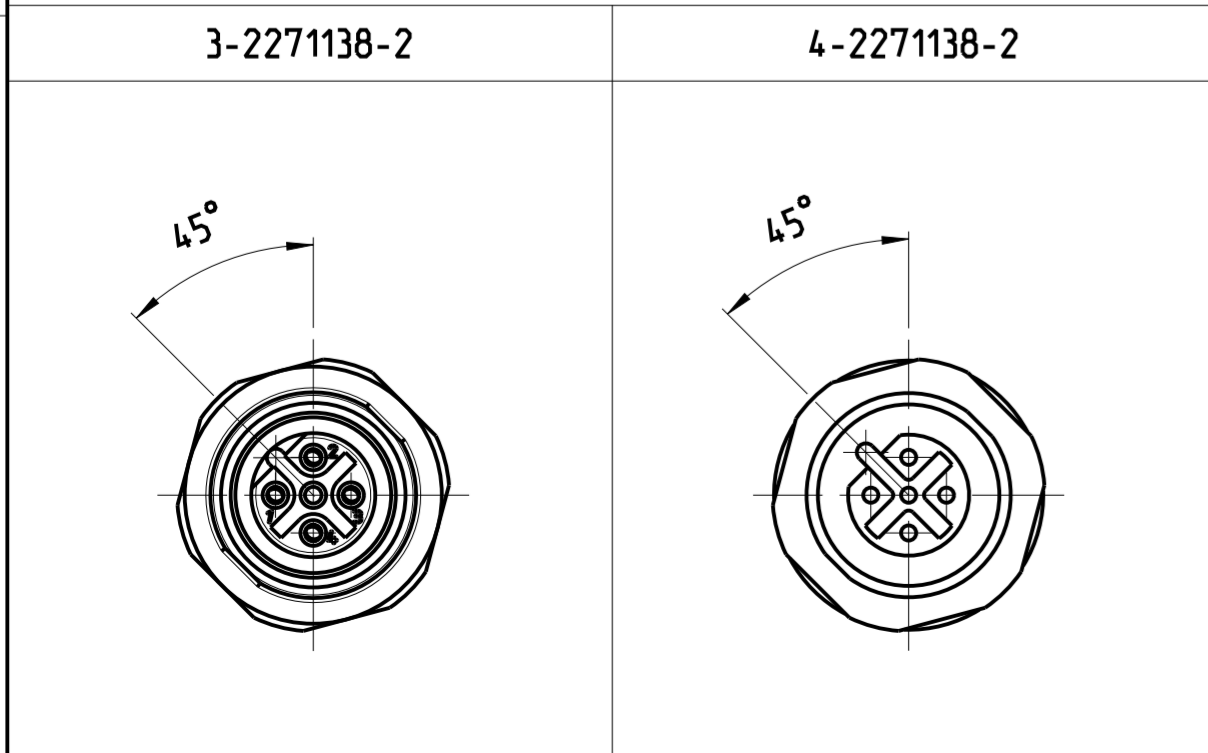
- ⚠ MATERIAL: ITEM NO. 1: HOUSING - ZINC DIECASTING, NICKEL PLATED
 ITEM NO. 2: CONTACT BODY - PUR, PA
 ITEM NO. 3: CONTACT - CuSn (bronze)
 CONTACT FINISH - Au (gold)

- 2 ALL DIMENSIONS ARE FOR NOMINAL REFERENCE ONLY UNLESS OTHERWISE STATED
 3 MEASUREMENT REFERENCE ONLY
 4 PACKAGING: 1 PIECE IN A BAG

TECHNICAL DATA	3-2271138-2	4-2271138-2
RATED VOLTAGE	250V	125V
RATED IMPULSE VOLTAGE	2500V	1500V
POLLUTION DEGREE	3	3
OVERVOLTAGE CATEGORY	II	II
MATERIAL GROUP	II	II
RATED CURRENT	4A	4A
VOLUME RESISTIVITY	≤ 3mΩ	≤ 3mΩ
DEGREE OF PROTECTION	IP68	IP68
UPPER TEMPERATURE	+85 °C	+85 °C
LOWER TEMPERATURE	-40 °C	-40 °C



PIN ARRANGEMENT
 B-CODING (SCALE 2:1)



3-2 AS SHOWN
 WIE GEZEICHNET

WIRES AWG / mm²	MATERIAL	NUMBER OF POLES	TE-PART-NO.
24 / 0.25mm²	⚠	5	4-2271138-2
24 / 0.25mm²	⚠	4	3-2271138-2

DIESE ZEICHNUNG IST EIN KONTROLLIERTES DOKUMENT.
 BEMASSUNGEN UND TOLERANZEN GEMAESS GPS (ISO STANDARDS).

THIS DRAWING IS A CONTROLLED DOCUMENT.
 DIMENSIONING AND TOLERANCING PER GPS (ISO STANDARDS).

DIMENSIONS: MASSE/MASSSTAB:	TOLERANCES UNLESS OTHERWISE SPECIFIED: ALLGEMEINE TOLERANZEN:
0 PLC ±	0 PLC ±
1 PLC ±	1 PLC ±
2 PLC ±	2 PLC ±
3 PLC ±	3 PLC ±
4 PLC ±	4 PLC ±
ANGLES/INSEL ±	ANGLES/INSEL ±
FINISH/OBERFLÄCHE/FARBE	FINISH/OBERFLÄCHE/FARBE

MATERIAL: -

DWN YASHKUMAR 29APR2014	TE Connectivity		
CHK M.STRELOW 29APR2014			
APVD C.SCHRETLINGER 29APR2014			
NAME M12 PANEL MOUNT RECEPTACLE CONNECTOR B-CODING			
SIZE A2	CAGE CODE 00779	DRAWING NO. C-2271138	RESTRICTED TO MUR FUER -
Customer Drawing	/KUNDENZEICHNUNG	SCALE MASSSTAB 2:1	SHEET BLATT 1 OF 1 REV A1

SIZE ISO 14405 (E)