

Technical specification :

Rated voltage:	60 V
IEC 61076-2-101	
Current rating:	4 A bei 40°C
IEC 61076-2-101	
Insulation resistance:	>=100 MΩ
IEC 60512	
Pollution degree:	3/2
IEC 60664-1	
Degree of protection:	IP 67, in mated condition
IEC 60529	
Temperature range:	-30°C ... +80°C
EN 60512-11-10	-40°C
EN 60512-11-4	-40°C ... +85°C
UL 2238	-30°C ... +50°C
Mating cycles:	>=100
IEC 60512-9a	

Cable specification:

Temperatur range:	
static	-30°C ... +80°C
flexibel	-15°C ... +80°C

Materials:

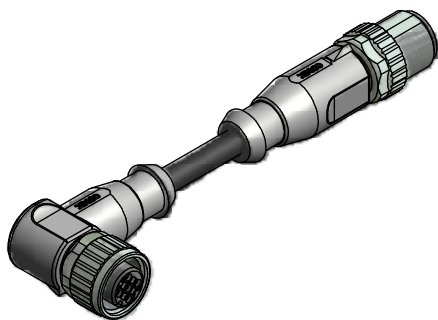
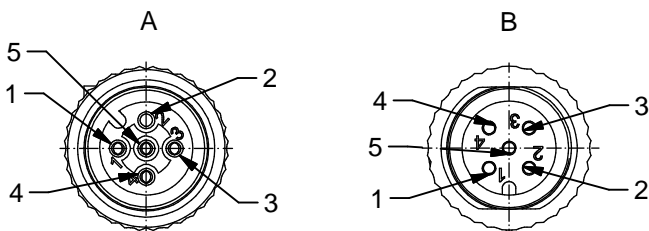
Contact:	CuZn / Ni3 Au 0,2 gal.
Contact carrier:	PA, UL 94 V-0
Sealing:	FPM
Coupling nut/ screw:	GD-Zn, Nickel plated
Moulding body:	TPU, UL 94 HB, grey

Installation specification:

Recommended torque:	0,6 Nm
Conec installation tool:	Torque wrench: 36-000200 Insert across flats 13: 36-000220

Contact assignment:

- 1) brown
- 2) white
- 3) blue
- 4) black
- 5) green-yellow



Part no:	Description:	Length L:	Cable:
43-10964	SAL - 12 - RKW5 - RS5 - 0,3 / K1	0,3m	TPU, UL 20549, black, 5x0,34mm ² Cable: 781-K13500
43-10965	SAL - 12 - RKW5 - RS5 - 0,6 / K1	0,6m	
43-10966	SAL - 12 - RKW5 - RS5 - 1,5 / K1	1,5m	
43-10967	SAL - 12 - RKW5 - RS5 - 3,0 / K1	3m	
43-xxxxx	SAL - 12 - RKW5 - RS5 - ... / K1	x	

D see data sheet cable

DO NOT ALTER CAD DRAWING BY HAND RoHS & REACH compliant	Index: b - 09.03.15 rbo Ä5562 Data sheet modified, kontakt carrier was TPU		dim. in mm		title: Connecting cable M12x1, female connector angled - male connector axial
	tolerance of cable: L ≤ 4m: L + 40mm L > 4m: L + 1%	date	name		
	general tolerance: 0 ± 0,50mm 0,0 ± 0,25mm 0,00 ± 0,10mm x ± 5°	drawn 14.03.07 appd. 14.03.07	Burschik Mankopf		dwg no: 43K1A446
	THIS DRAWING MAY NOT BE COPIED OR REPRODUCED IN ANY WAY, AND MAY NOT BE PASSED ON TO A THIRD PARTY WITHOUT WRITTEN PERMISSION. OWNERSHIP AND COPYRIGHT OF CONEC GmbH				part no: see table