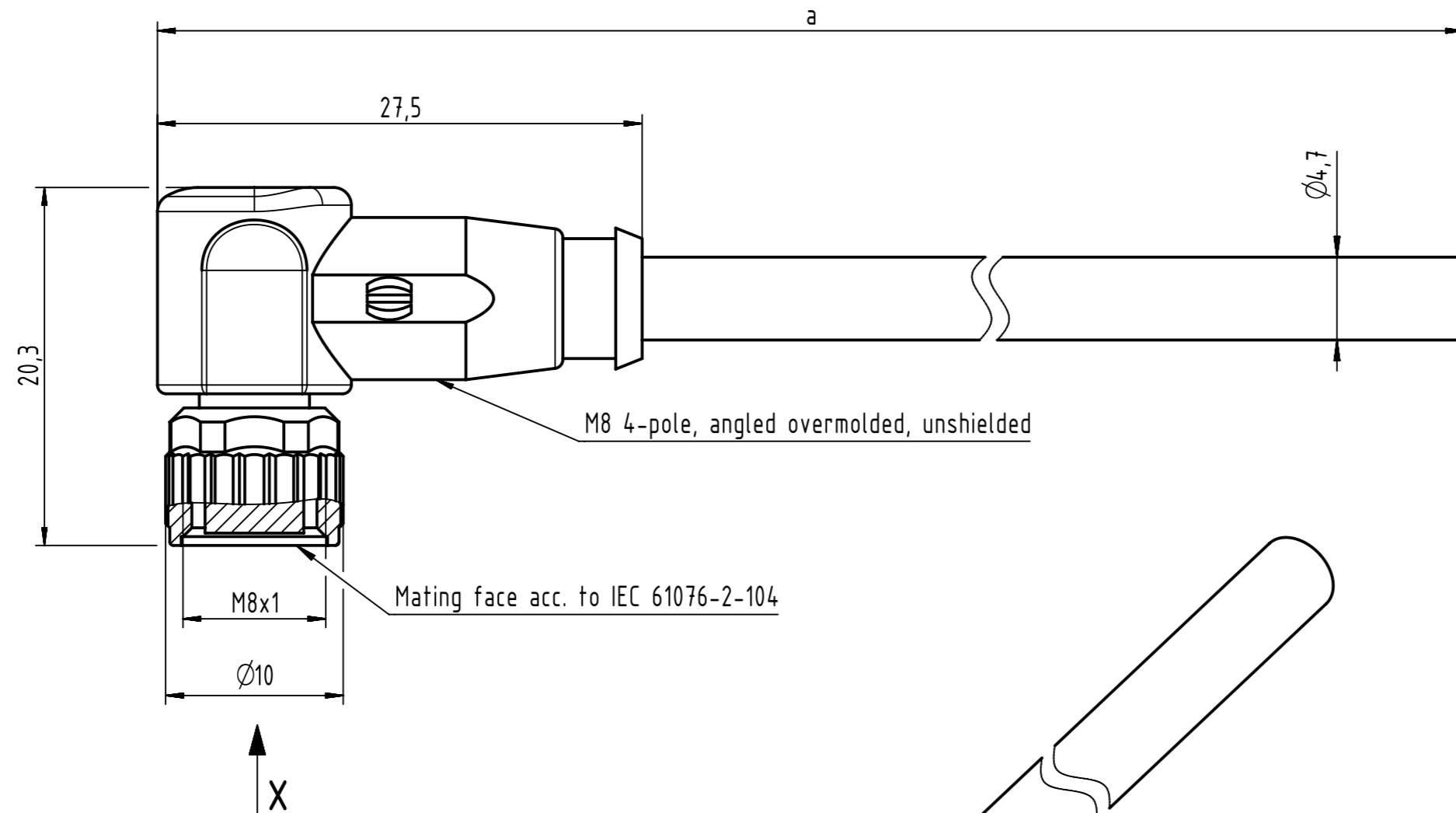


Connector Location A

Connector Location B



M8 4-pole, angled overmolded, unshielded

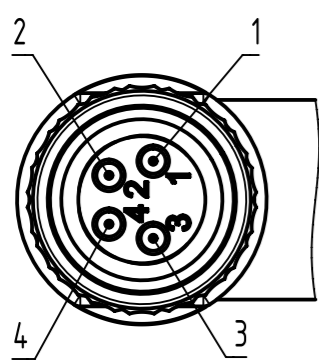
Mating face acc. to IEC 61076-2-104

M8x1

Ø10

X

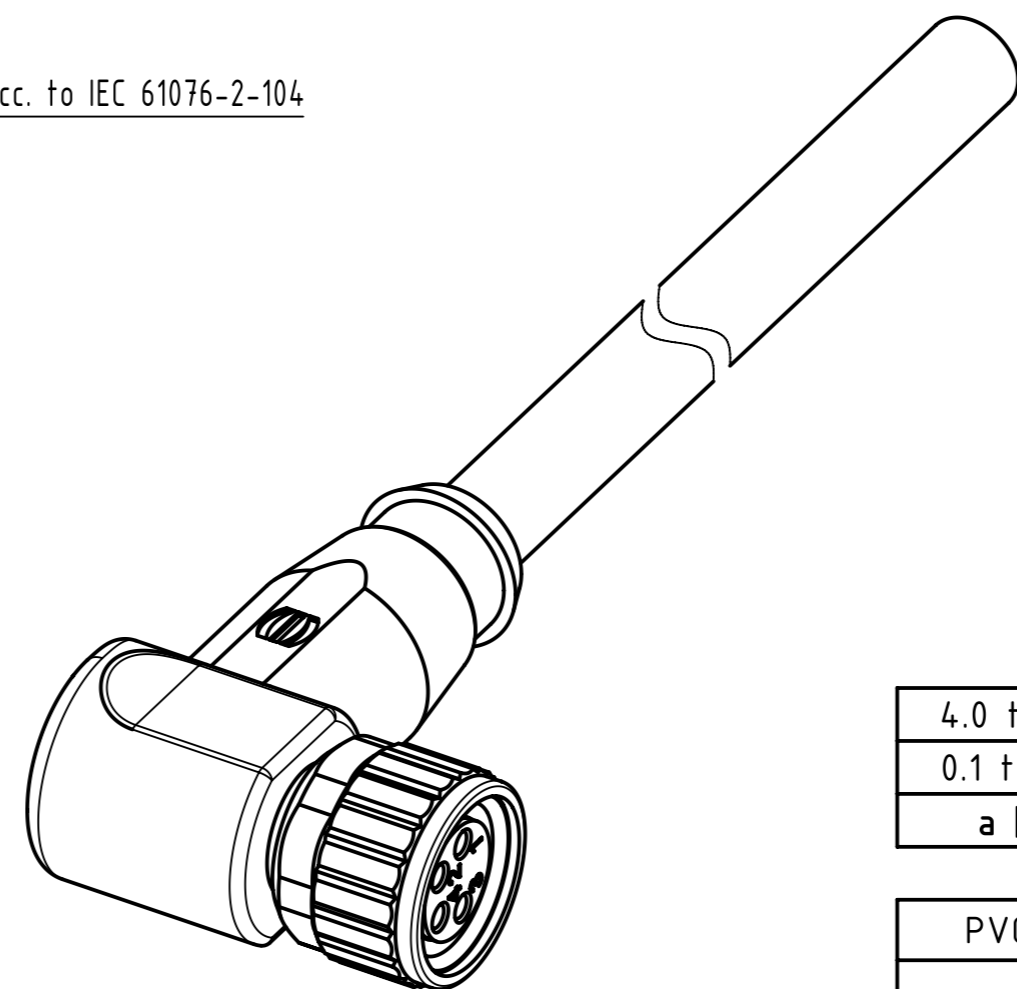
X female



Loading-Plan

- 1 brown
- 2 white
- 3 blue
- 4 black

- Protection level: IP67  
 - Temperature range: -25°C ... +80°C



4.0 to 40	±1%
0.1 to 3.9	+0.04
a [m]	Tolerance

length in "1m" step	40	XXX=400
	39	XXX=390
	.	.
	12	XXX=120
length in "0.1m" step	11	XXX=110
	10	XXX=100
	9.9	XXX=099
	9.8	XXX=098
	.	.
	0.4	XXX=004
	0.3	XXX=003
	0.2	XXX=002
	0.1	XXX=001
Step	a [m]	XXX

PVC grey, 4x0.25mm <sup>2</sup>	21348300481XXX
Type of cable	Part no.

All rights reserved Department HCS - RO HARTING Customised Solutions D-32339 Espelkamp	Tech. Character.		Free size tol.		According to production drawing	
	Created by STOCEVIC Stoceci	Inspected by COSTEA Costea	Standardisation MUNTEANV Muntean	Date 2019-01-11	State Final Release	
Title M8 Cable Assembly 4-poles an/- f/-			Doc-Key / ECM-Nr. 100577978/UGD/009/C 500000145294		Rev. C	Page 1/1
Type TB		Number 21348300481XXX				