



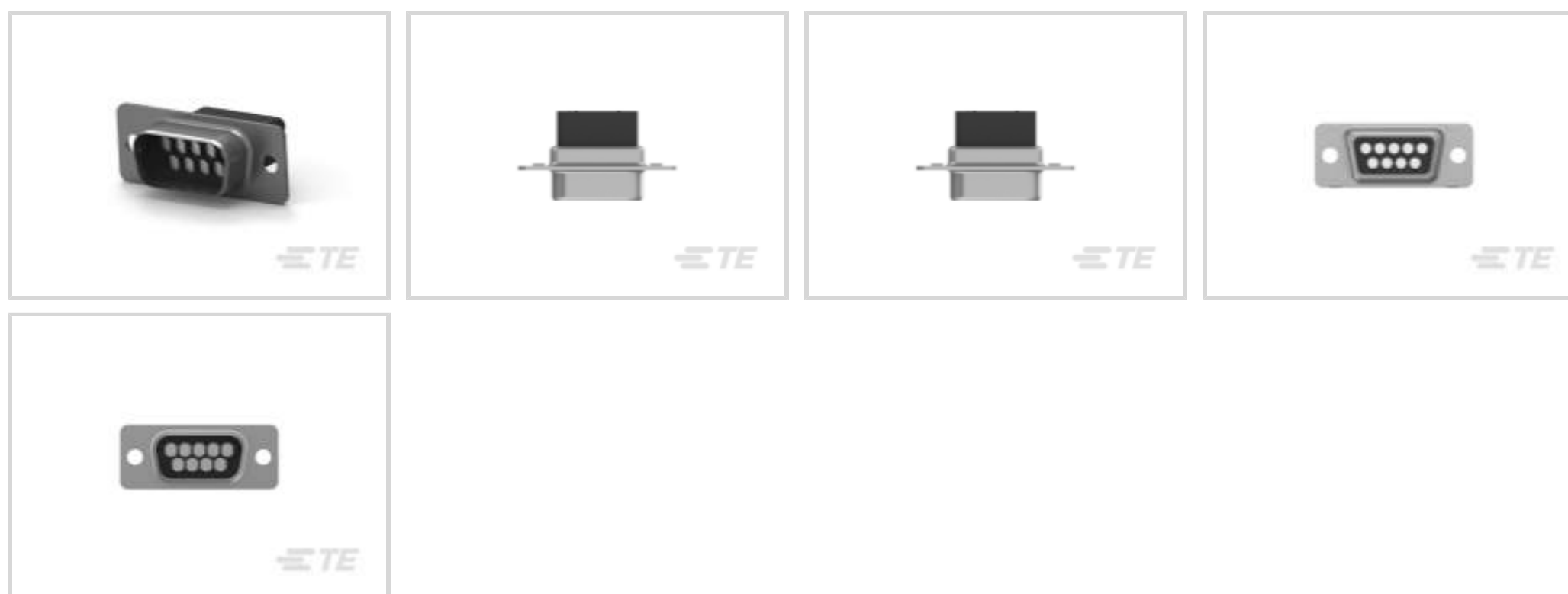
**AMPLIMITE**

TE Internal #: 205204-4

Crimp D-Sub Connectors, Plug, Cable-to-Cable, 9 Position, Contact Size Size 20, 1 Connector Shell Size, Mating Retention, Shielded

[View on TE.com >](#)

Connectors > D-Shaped Connectors > D-Sub Connectors > Crimp D-Sub Connectors > D-Sub Crimp: Plug, Signal, 9 Posn, Pin Size 20, Shell Size 1



Connector & Housing Type: **Plug**

Connector System: **Cable-to-Cable**

Number of Positions: **9**

Contact Size: **Size 20**

Connector Shell Size: **1**

[All D-Sub Crimp: Plug, Signal, 9 Posn, Pin Size 20, Shell Size 1 \(12\)](#)

**Features**

**Product Type Features**

Shell Material Configuration	Full Metal Shell
Ground Feature Type	Grounding Indents
Connector & Housing Type	Plug
Connector System	Cable-to-Cable
Connector Shell Size	1
Sealable	No
Connector & Contact Terminates To	Wire & Cable

**Configuration Features**

Number of Positions	9
---------------------	---

**Body Features**

Insert Material	Thermoplastic
Shield Plating Material	Tin
Shield Material	Steel



Shell Plating Material	Tin
------------------------	-----

### Contact Features

Contact Size	Size 20
--------------	---------

### Mechanical Attachment

Mating Retention	With
------------------	------

Mating Retention Type	Mounting Holes
-----------------------	----------------

### Housing Features

Shell Material	Steel
----------------	-------

Centerline (Pitch)	2.74 mm[.108 in]
--------------------	------------------

### Usage Conditions

Operating Temperature Range	-55 – 105 °C[-67 – 221 °F]
-----------------------------	----------------------------

### Operation/Application

Shielded	Yes
----------	-----

Circuit Application	Signal
---------------------	--------

### Industry Standards

UL Flammability Rating	UL 94V-0
------------------------	----------

### Packaging Features

Packaging Quantity	1
--------------------	---

Packaging Method	Loose Piece
------------------	-------------

### Other

D-Shaped Connectors Comment	Plugs accept size 20 DF pin contacts.
-----------------------------	---------------------------------------

## Product Compliance

[For compliance documentation, visit the product page on TE.com>](#)

EU RoHS Directive 2011/65/EU	Compliant
------------------------------	-----------

EU ELV Directive 2000/53/EC	Compliant
-----------------------------	-----------

China RoHS 2 Directive MIIT Order No 32, 2016	No Restricted Materials Above Threshold
---	---

EU REACH Regulation (EC) No. 1907/2006	Current ECHA Candidate List: JUNE 2023 (235) Candidate List Declared Against: JUNE 2023 (235) Does not contain REACH SVHC
--	---

Halogen Content	Not Low Halogen - contains Br or Cl > 900
-----------------	---



ppm.

Solder Process Capability

Not applicable for solder process capability

Product Compliance Disclaimer

This information is provided based on reasonable inquiry of our suppliers and represents our current actual knowledge based on the information they provided. This information is subject to change. The part numbers that TE has identified as EU RoHS compliant have a maximum concentration of 0.1% by weight in homogenous materials for lead, hexavalent chromium, mercury, PBB, PBDE, DBP, BBP, DEHP, DIBP, and 0.01% for cadmium, or qualify for an exemption to these limits as defined in the Annexes of Directive 2011/65/EU (RoHS2). Finished electrical and electronic equipment products will be CE marked as required by Directive 2011/65/EU. Components may not be CE marked. Additionally, the part numbers that TE has identified as EU ELV compliant have a maximum concentration of 0.1% by weight in homogenous materials for lead, hexavalent chromium, and mercury, and 0.01% for cadmium, or qualify for an exemption to these limits as defined in the Annexes of Directive 2000/53/EC (ELV). Regarding the REACH Regulation, the information TE provides on SVHC in articles for this part number is based on the latest European Chemicals Agency (ECHA) 'Guidance on requirements for substances in articles' posted at this URL: <https://echa.europa.eu/guidance-documents/guidance-on-reach>

### Compatible Parts



TE Part # CAT-035-DCRSS201  
D-Sub Crimp Recpt Signal 9 Posn, Socket Size 20, Shell Size 1



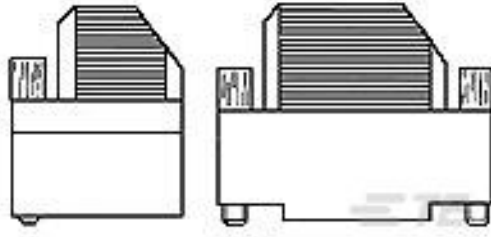
TE Part # CAT-035-DCPPS201  
D-Sub Crimp: Plug, Signal, 9 Posn, Pin Size 20, Shell Size 1



TE Part # 2198617-9  
Ni Plated Plastic Backshell, 9 Way, Str



TE Part # 207467-1  
CABLE CLAMP KIT,SZ 1



TE Part # 1393738-2  
V42254A6000G115=SUB D GEHAEUSE



TE Part # 3-1393483-8  
V42254A1115B209=SUB D FEDERLEI



TE Part # 4-745287-7  
20 DF PIN CONTACT DUPLEX/LP



TE Part # 2-66507-7  
20 DF PIN PLTD

### Customers Also Bought



TE Part #205210-3  
PLUG ASSY SIZE 4



TE Part #205209-2  
RECP ASSY SIZE 4



TE Part #748364-1  
15 HD22 CRIMP SNAP PLUG



TE Part #207464-2  
CRIMP SNAP PLUG ASSY,SZ 3



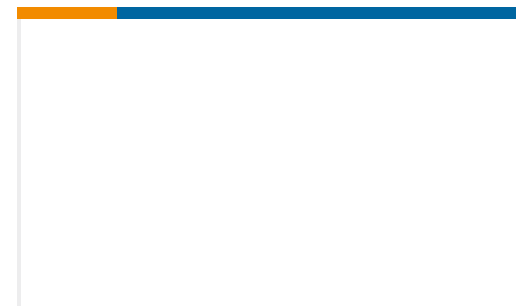
TE Part #207463-1  
CRIMP SNAP RCPT ASSY,SZ 3



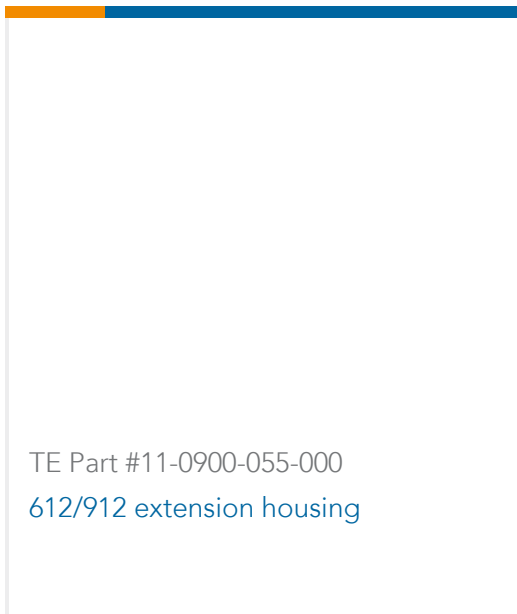
TE Part #205205-2  
CRIMP SNAP RCPT ASSY,SIZE 2



TE Part #66506-3  
D-Sub Connector Contacts: Pin, Brass,  
Signal, Size 20



TE Part #10-A044-002-000  
923 plug housing IG3



TE Part #11-0900-055-000  
612/912 extension housing

## Documents

### Product Drawings

[CRIMP SNAP PLUG ASSY,SIZE 1](#)

English

### CAD Files

[3D PDF](#)

3D

Customer View Model

[ENG\\_CVM\\_CVM\\_205204-4\\_T.2d\\_dxf.zip](#)

English

Customer View Model

[ENG\\_CVM\\_CVM\\_205204-4\\_T.3d\\_igs.zip](#)

English

Customer View Model

[ENG\\_CVM\\_CVM\\_205204-4\\_T.3d\\_stp.zip](#)

English

By downloading the CAD file I accept and agree to the [Terms and Conditions](#) of use.

### Datasheets & Catalog Pages

[AMPLIMITE Subminiature D Connectors - Cable Connectors](#)

English

[AMPLIMITE Cable Connectors and Shielding Hardware Kits QRG](#)

English

### Product Specifications

[Application Specification](#)

English



### Product Environmental Compliance

[Product Compliance Document](#)

English

[Product Compliance Document](#)

English

---

### Instruction Sheets

[Instruction Sheet \(U.S.\)](#)

English

---

### Agency Approvals

[UL Report](#)

English