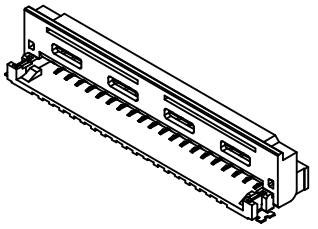
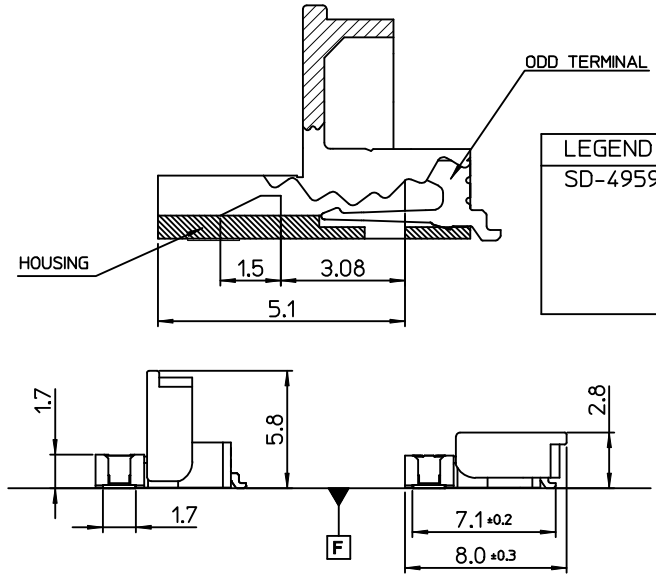
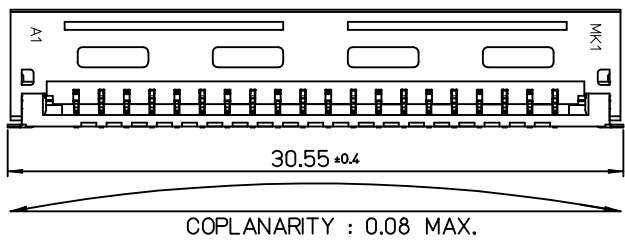
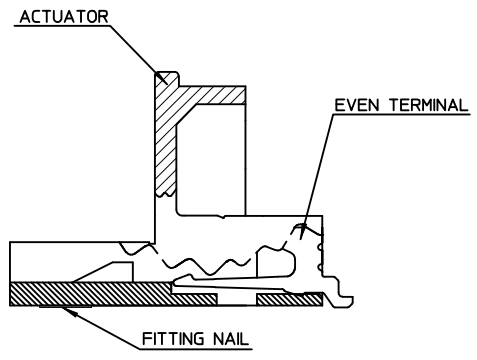
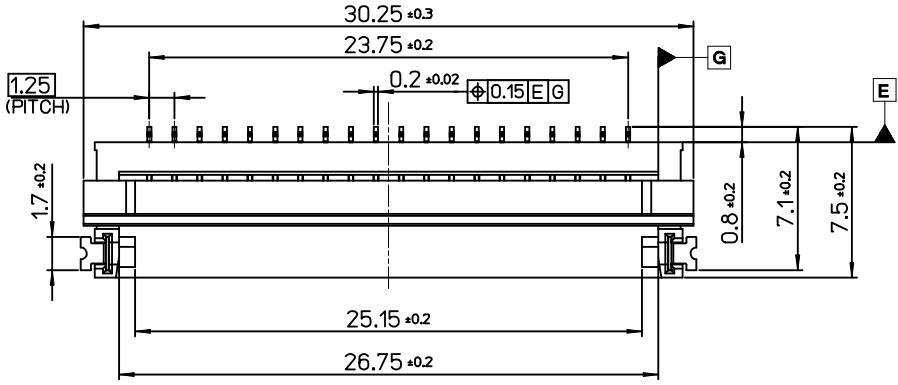


LEAD-FREE



ISOMETRIC VIEW



LEGEND	
SD-49597-20x7	COLOR
0	: NATURAL
1	: BLACK
3	: NATURAL, HALOGEN FREE
4	: BLACK, HALOGEN FREE

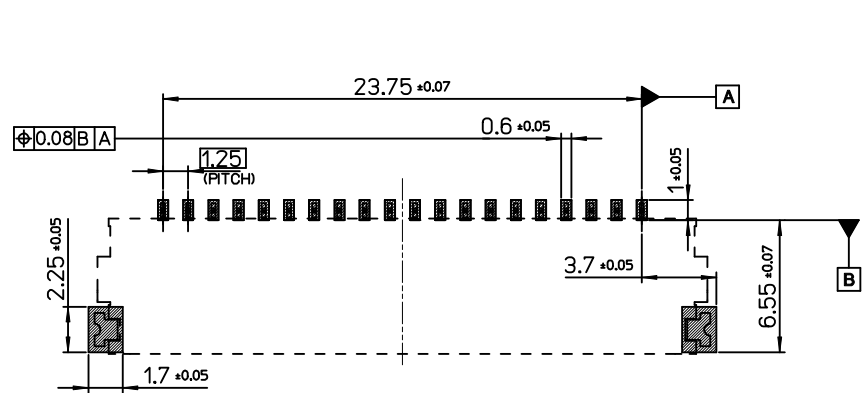
- NOTES**
- MATERIAL**
 - HOUSING : PA46 ,GLASS FILLED. UL94V-0, COLOR: BEIGE. LCP, GLASS FILLED. UL94V-0, COLOR: NATURAL
 - ACTUATOR : LCP, GLASS FILLED. UL94V-0, COLOR: NATURAL, BLACK.
 - TERMINAL : COPPER ALLOY.
 - FITTING NAIL : COPPER ALLOY.

- FINISHES**
 - TERMINAL : Tin[Sn] OVER NICKEL[Ni] PLATING.
 - FITTING NAIL : TIN[Sn] OVER NICKEL[Ni] PLATING.

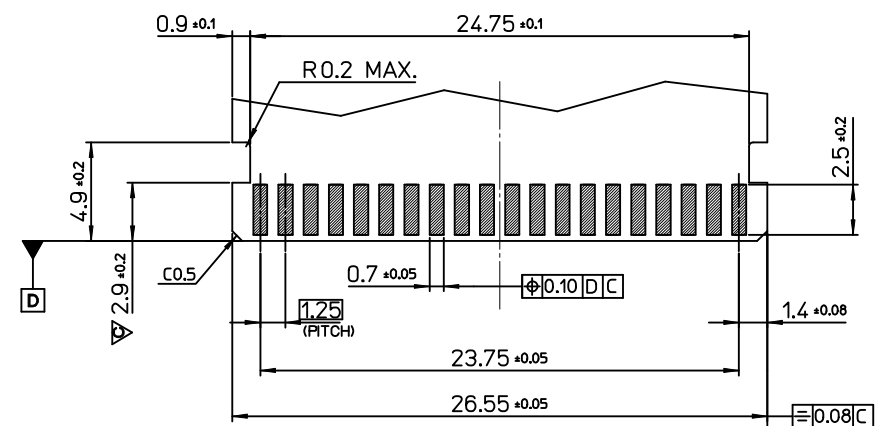
- PRODUCT SPECIFICATION** : PS-49597-001
- PACKING SPECIFICATION** : PK-49597-001
- ACTUATOR IS OPEN IN THE EMBOSSED PACKING**

REVISED EC NO: KOR2016-0047 DRW:KTK1M01 2015/12/01 CHK:D-KSK IM 2015/12/01 APPR:YSK1M02 2015/12/07	QUALITY SYMBOLS ▽=0 ◻=0	GENERAL TOLERANCES (UNLESS SPECIFIED)		DIMENSION STYLE MM ONLY		SCALE	DESIGN UNITS	THIRD ANGLE PROJECTION	
		mm	INCH	DRAWN BY	DATE	TITLE	MOLEX INCORPORATED		
		4 PLACES ± ---	± ---	JHLEE	2007/03/09	1.25 FPC/FFC B/F CONN HOUSING ASS'Y 20P (BOTTOM CONTACT)	SD-49597-001		
		3 PLACES ± ---	± ---	CHECKED BY	DATE	SHEET NO. 1 OF 3			
2 PLACES ± 0.2	± ---	KSK IM	2007/03/09	THIS DRAWING CONTAINS INFORMATION THAT IS PROPRIETARY TO MOLEX INCORPORATED AND SHOULD NOT BE USED WITHOUT WRITTEN PERMISSION					
1 PLACE ± 0.25	± ---	APPROVED BY	DATE						
ANGULAR ± 1 °		YSOOK IM	2007/03/09						
DRAFT WHERE APPLICABLE MUST REMAIN WITHIN DIMENSIONS		SEE TABLE							

LEAD-FREE

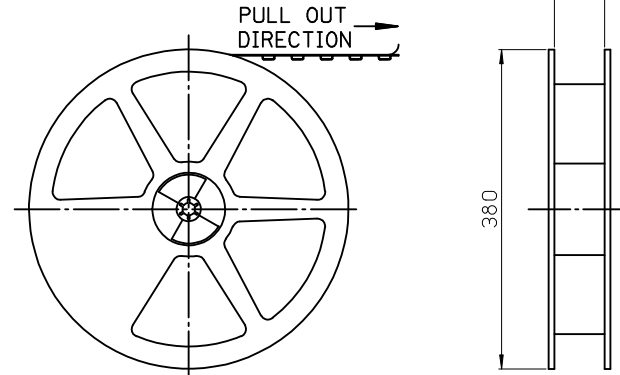
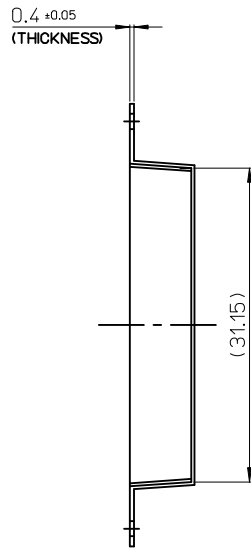
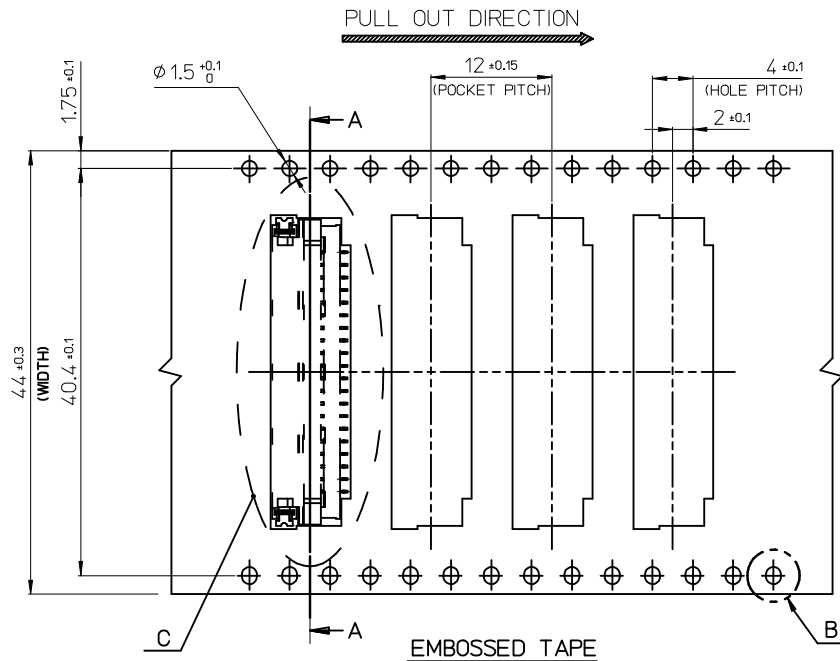


P.C. BOARD DIMENSION (RECOMMEND)



FPC/FFC DIMENSION (RECOMMEND)
(FLIM THICKNESS = 0.3±0.05)

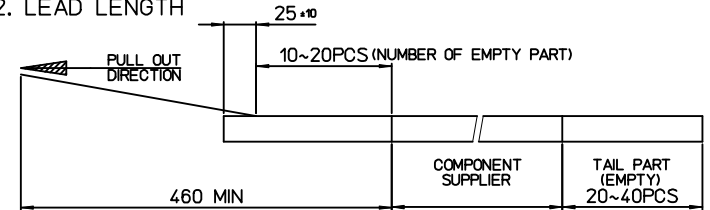
REVISED EC NO: KOR2016-0047 DRW:KTK/IM01 2015/12/01 CHK:KSK/IM 2015/12/01 APPR:YSK/IM02 2015/12/07	QUALITY SYMBOLS ▽=0 ◻=0	GENERAL TOLERANCES (UNLESS SPECIFIED)		DIMENSION STYLE MM ONLY		SCALE	DESIGN UNITS	THIRD ANGLE PROJECTION		
			mm	INCH	DRAWN BY	DATE	TITLE			
		4 PLACES	± ---	± ---	JHLEE	2007/03/09	1.25 FPC/FFC B/F HOUSING ASS'Y 20P (BOTTOM CONTACT) MOLEX INCORPORATED			
		3 PLACES	± ---	± ---	CHECKED BY	DATE				
2 PLACES	± 0.2	± ---	KSK/IM	2007/03/09						
1 PLACE	± 0.25	± ---	APPROVED BY	DATE						
	ANGULAR ± 1 °		MATERIAL NO.		DOCUMENT NO.		SHEET NO.			
DRAFT WHERE APPLICABLE MUST REMAIN WITHIN DIMENSIONS			SEE TABLE		SD-49597-001		2 OF 3			
			SIZE A3		THIS DRAWING CONTAINS INFORMATION THAT IS PROPRIETARY TO MOLEX INCORPORATED AND SHOULD NOT BE USED WITHOUT WRITTEN PERMISSION					



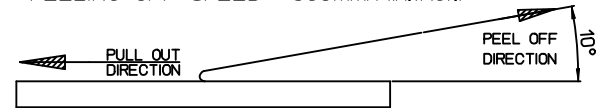
PLASTIC BOBBIN

NOTES

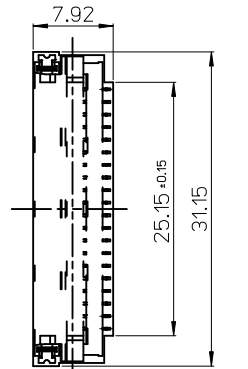
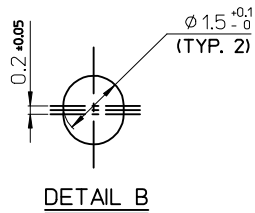
1. QUANTITY OF CONNECTORS : 1200PCS/REEL
2. LEAD LENGTH



3. PEELING OFF FORCE OF COVER TAPE : 0.1N~0.59N(10.2GF~60GF)
(PEELING DIRECTION AS SHOW IN FOLLOW FIG.)
PEELING OFF SPEED : 300mm/Min.(Ref.)



4. FLASH IN ANY PORTION SHOULD BE LESS THAN 0.20mm MAX.



HALOGEN FREE	495972047	495972040	49597-9920	44mm	BLACK
	495972037	495972030			NATURAL
	495972017	495972010			BLACK
	495972007	495972000			NATURAL
NON-HF					
TYPE	MATERIAL NO.	CONNECTOR	EMBOSS TAPE	TAPE WIDTH	COLOR
3		PLASTIC BOBBIN	HI P.S		WHITE
2		COVER TAPE	P.E.T		37.5mm
1		CARRIER (EMBOSSSED) TAPE	P.E.T		
NO.		DESCRIPTION	MATERIAL		REMARK

REVISED	EC NO: KOR2016-0047
DRW:KTK1M01	2015/12/01
CHK:D-KSK IM	2015/12/01
APPR:YSK1M02	2015/12/07

QUALITY SYMBOLS	GENERAL TOLERANCES (UNLESS SPECIFIED)
▽=0	mm INCH
∇=0	4 PLACES ± --- ± ---
	3 PLACES ± --- ± ---
	2 PLACES ± 0.2 ± ---
	1 PLACE ± 0.25 ± ---
	ANGULAR ± 1 °
	DRAFT WHERE APPLICABLE MUST REMAIN WITHIN DIMENSIONS

DIMENSION STYLE		SCALE	DESIGN UNITS
MM ONLY			METRIC
DRAWN BY	DATE	TITLE	
JHLEE	2007/03/09	1.25 FPC/FFC B/F CONN HOUSING ASS'Y 20P (BOTTOM CONTACT)	
CHECKED BY	DATE	MOLEX INCORPORATED	
KSK IM	2007/03/09	SD-49597-001	
APPROVED BY	DATE	SHEET NO.	
YSOOK IM	2007/03/09	3 OF 3	
MATERIAL NO.	DOCUMENT NO.		
SEE TABLE			

THIRD ANGLE PROJECTION	
THIS DRAWING CONTAINS INFORMATION THAT IS PROPRIETARY TO MOLEX INCORPORATED AND SHOULD NOT BE USED WITHOUT WRITTEN PERMISSION	