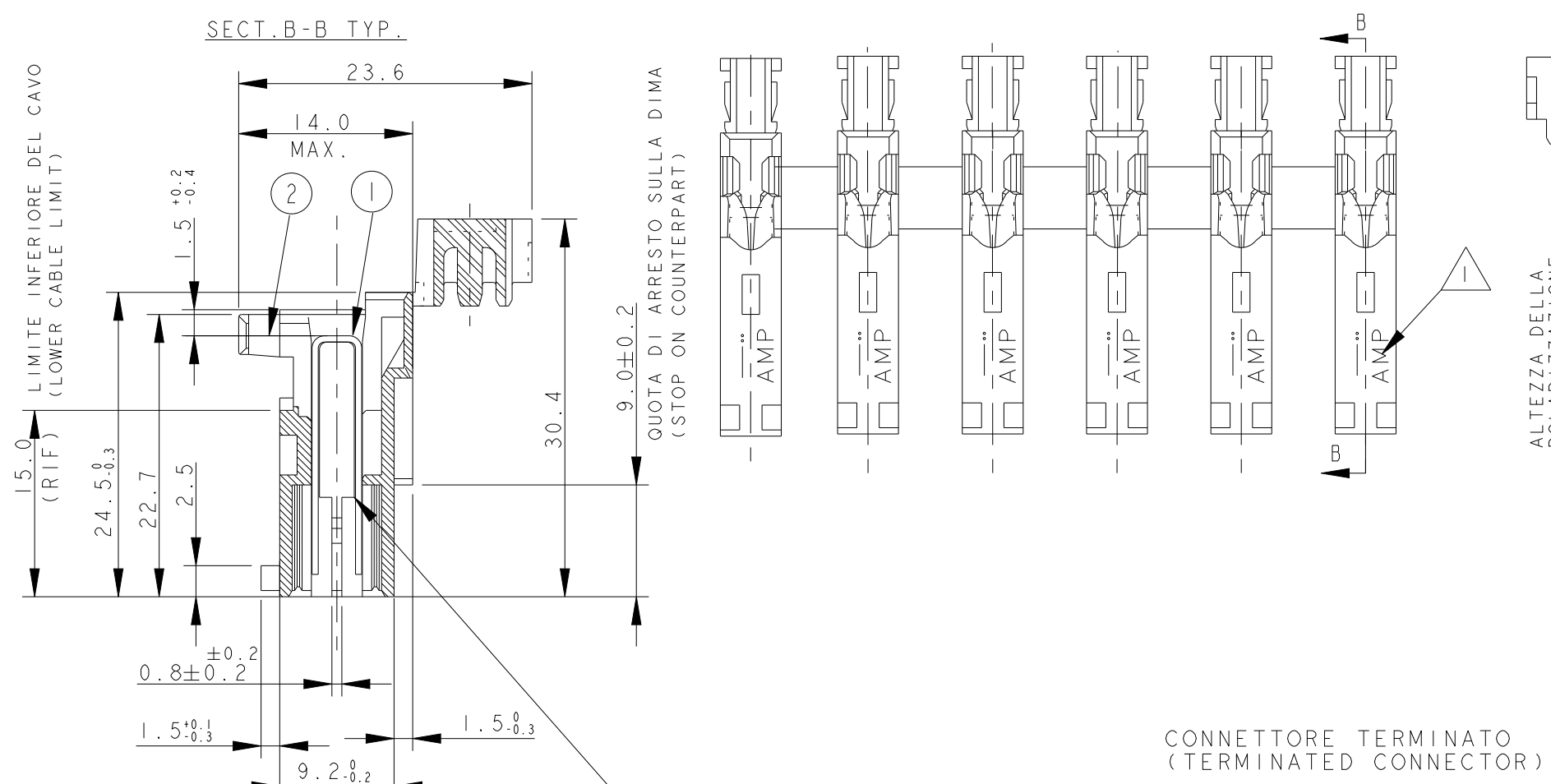
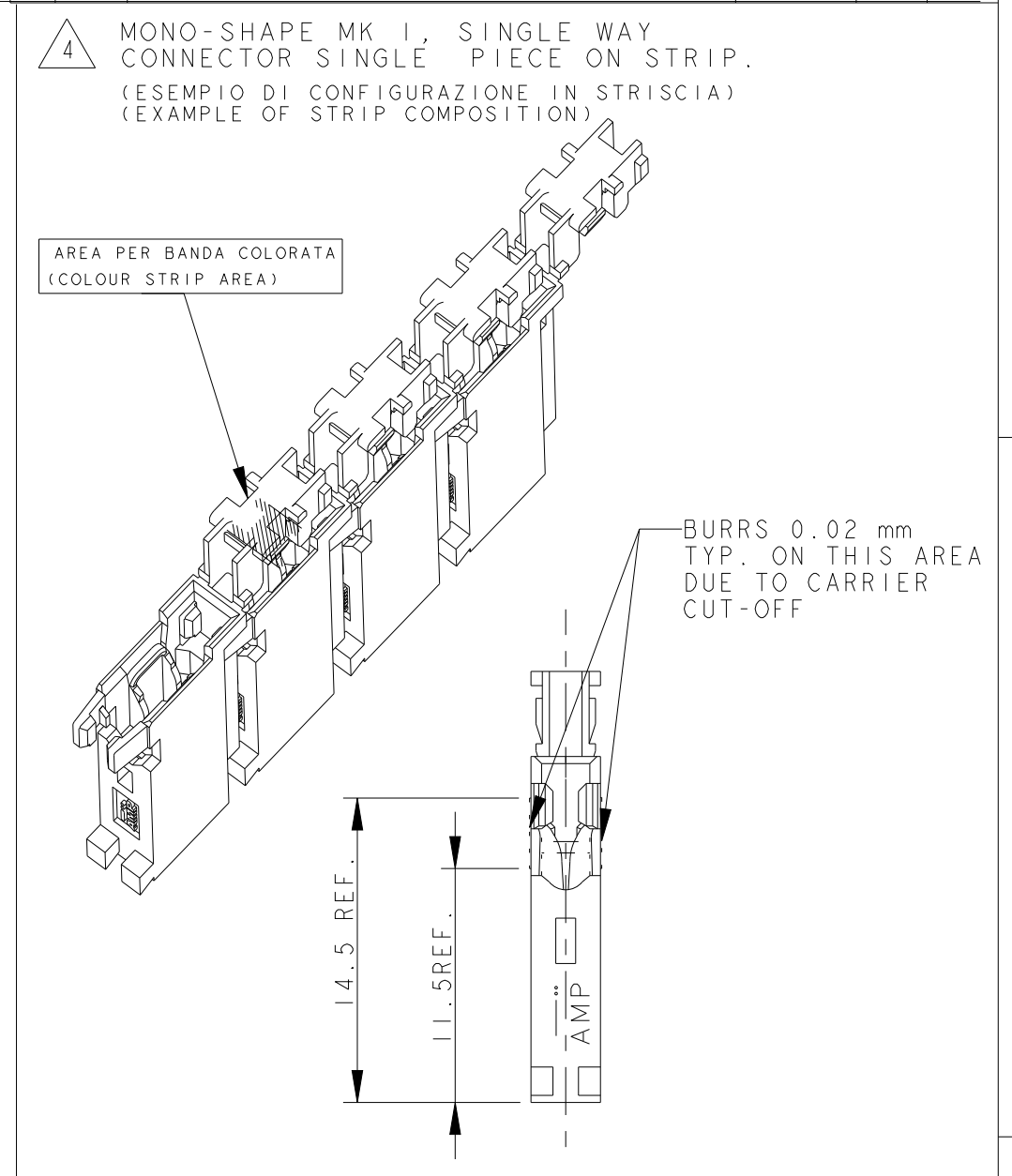
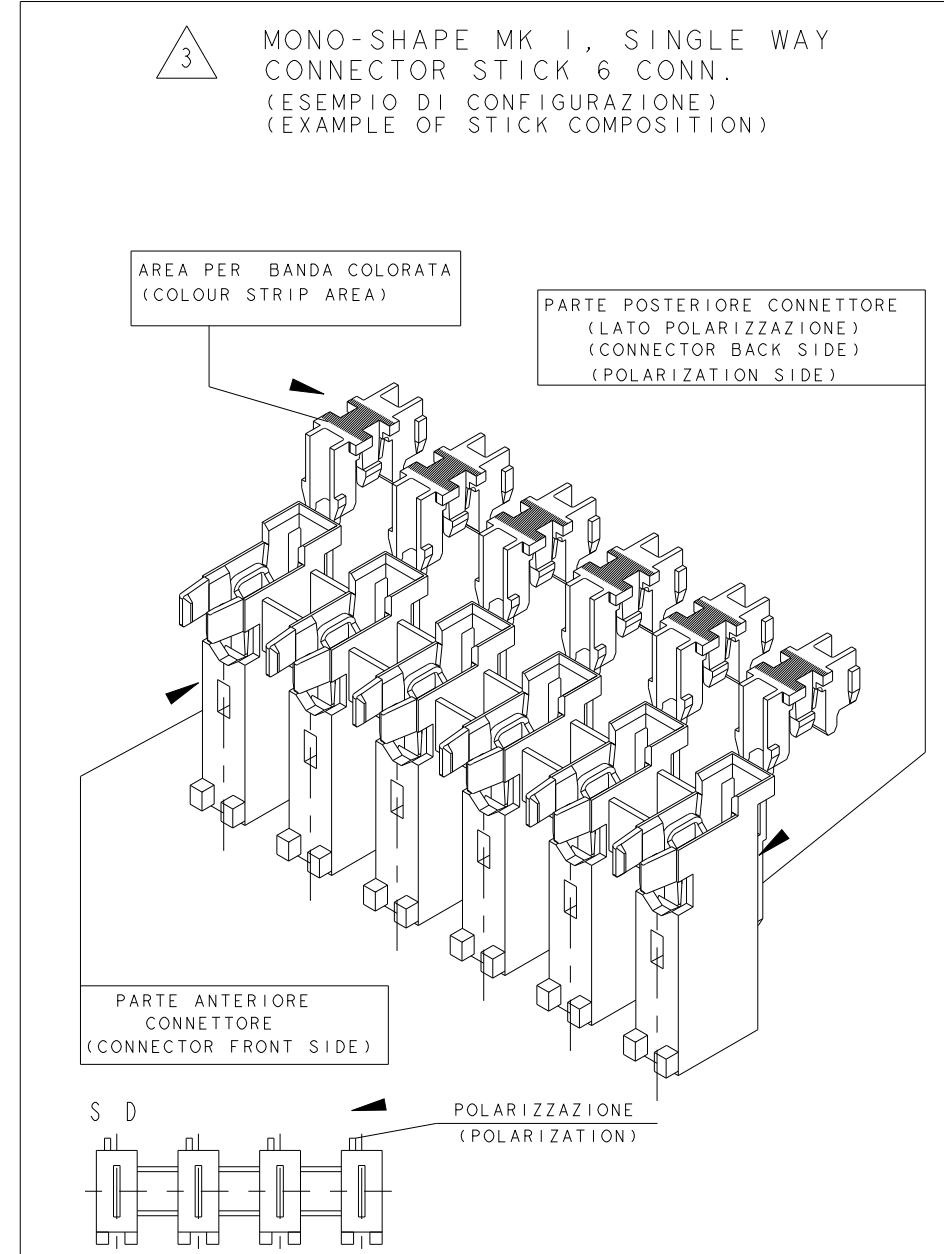
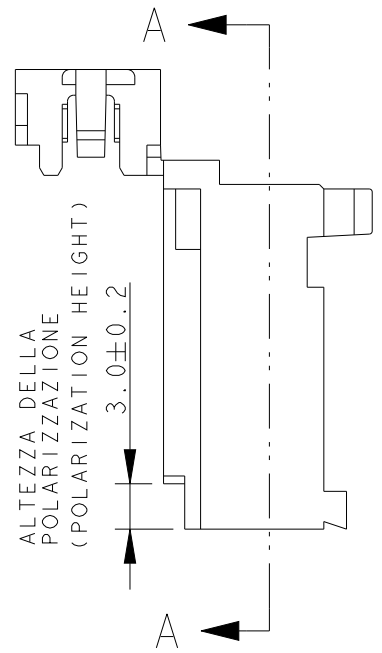
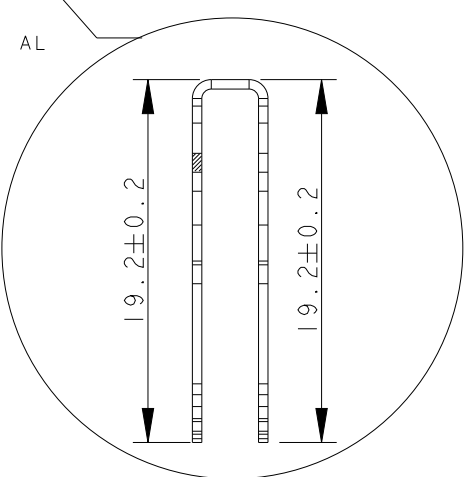


THIS DRAWING IS UNPUBLISHED. RELEASED FOR PUBLICATION 20
 © COPYRIGHT 20 ALL RIGHTS RESERVED.

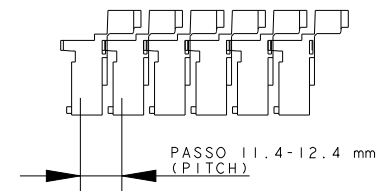
LOC		DIST		REVISIONS			
P	LTR	DESCRIPTION	DATE	DWN	APVD		
H10	ECR-21-115913		04OCT2021	SM	FL		
H11	ECR-22-134514		12APR2022	SM	FL		
H12	ECR-22-162194		31JAN2023	SM	FL		
H13	ECR-23-172797		20APR2023	DC	FL		



DETTAGLIO DEL CONTATTO, DIMENSIONI RIFERITE AL COMPONENTE INSERITO IN CAVITÀ (ENLARGED VIEW OF TAB CONTACT DIM. REFERRED TO CONTACT INSERTED IN THE HOUSING CAVITY)



- 1 MARCHIO DI FABBRICA. (TRADEMARK)
- 2 NON ANCORA RILASCIATO IN PRODUZIONE (NOT YET RELEASED FOR PRODUCTION)
- 3 STATO DI FORNITURA: CONFEZIONAMENTO STICK DI 6 CONNETTORI IN VASSOI + SCATOLA (PACKAGING: "6 CONNECTOR STICK VERSION, ON TRAY PLUS CARTON BOX")



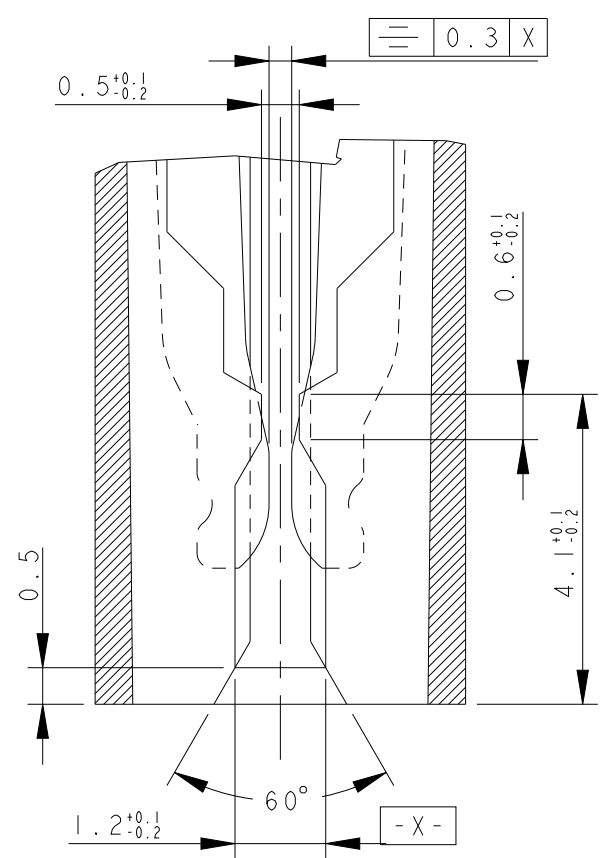
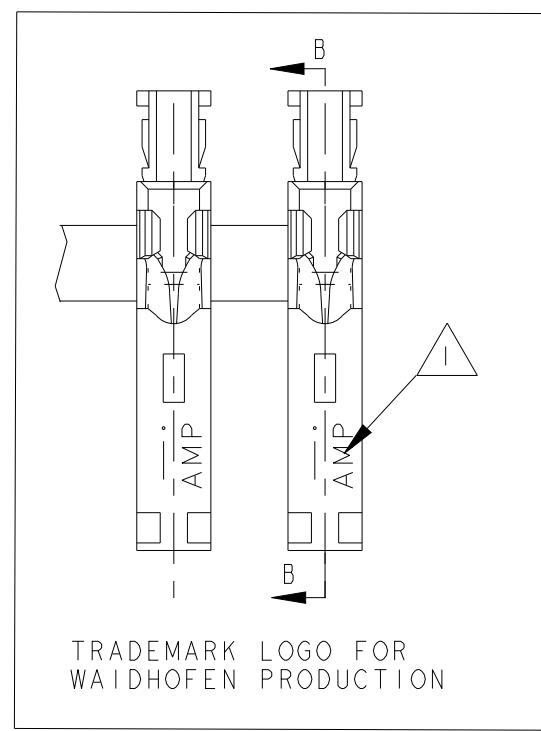
- 4 CONFEZIONAMENTO IN STRISCIA DI CONNETTORI SINGOLI IN VASSOI+SCATOLA (PACKAGING: SINGLE CONNECTOR IN STRIP, ON TRAY PLUS CARTON BOX)

5) APPROVAZIONE VDE, FILE N. 3905 (VDE APPROVAL, FILE N. 3905)

- 6 PRELIMINARY NOT FOR PRODUCTION

ITEM	DENOMINAZIONE	FINITURA / COLORE (FINISH / COLOUR)	MATERIALE (MATERIAL)
2	BLOCCETTO (HOUSING)	NATURALE (NATURAL)	POLIAMIDE 6.6 20%C.vetro (PA 6.6 Glassfiber Filled)
1	CONTATTO (CONTACT)	STAGNATO (TIN-PLATED)	OTTONE (BRASS)

ITEM	DENOMINAZIONE	FINITURA / COLORE (FINISH / COLOUR)	MATERIALE (MATERIAL)
			DIAM. ISOLANTE (INS. DIA. RANGE) 3.0 mm
			RANGO FILO (WIRE RANGE) 0.5-1.5 mm ²



THIS DRAWING IS A CONTROLLED DOCUMENT.		DWN G. ENDRIZZI 23JULY97	TE Connectivity	
DIMENSIONS: mm		CHK G. VIGNOLI 23JULY97		
TOLERANCES UNLESS OTHERWISE SPECIFIED:		APVD G. TURCO 23JULY97	NAME	
0 PLC ±.3		PRODUCT SPEC	MONO SHAPE MK I	
1 PLC ±.		108-20065	SINGLE WAY CONN. ASSEMBLY	
2 PLC ±.		APPLICATION SPEC	-	
3 PLC ±.		114-20017	SIZE	CAGE CODE
4 PLC ±.		WEIGHT	A2	0779
ANGLES ±2		CUSTOMER DRAWING	DRAWING NO. C-282086	
FINISH		SCALE	NO	SHEET 1 OF 2
SEE TABLE		REV. H13		

THIS DRAWING IS UNPUBLISHED. RELEASED FOR PUBLICATION 20
 © COPYRIGHT 20 ALL RIGHTS RESERVED.

REVISIONS							
LOC	DIST	P	LTR	DESCRIPTION	DATE	DWN	APVD
-	-			SEE SHEET 1			

NO. OF POSITION	CONFIGURATION (VIEW FROM THE TOP)	CONNECT. PART NUMBER (STICK VERSION 6 CONN.)	PART REV.	POLARIZ. POSITION BACK SIDE	STRIP COLOR CODE
6 X 1		2293382-1	H	-	-

NO. OF POSITION	CONFIGURATION (VIEW FROM THE TOP)	CONNECT. PART NUMBER (SINGLE PIECE VERSION)	PART REV.	POLARIZ. POSITION BACK SIDE	STRIP COLOR CODE
1		1-2293382-1	H	-	-
1		2-2293382-1	H	IS	BLACK

OBSOLETE

NO. OF POSITION	CONFIGURATION (VIEW FROM THE TOP)	CONNECT. PART NUMBER (STICK VERSION 6 CONN.)	PART REV.	POLARIZ. POSITION BACK SIDE	STRIP COLOR CODE
6 X 1		4-282086-1 (REPLACED BY 1-282086-1)	A	-	-
6 X 1		4-282086-2 (REPLACED BY 1-282086-2)	A	IS	BLACK
6 X 1		4-282086-3 (REPLACED BY 1-282086-3)	A	ID	ORANGE

OBSOLETE

OBSOLETE

NUMERO DI VIE (NO. OF POSITION)	CONFIGURAZIONE (VISTA DALL'ALTO) CONFIGURATION (VIEW FROM THE TOP)	CODICE CONNETTORE (CONNECT. PART NUMBER) VERSIONE IN STICK 6 CONN. (STICK VERSION 6 CONN.)	PART REV.	POSIZIONE POLARIZ. (LATO POSTERIORE) POLARIZ. POSITION BACK SIDE	MARCHIATURA CON BANDA COLORATA STRIP COLOUR CODE
6 X 1		1-282086-1	H	-	-
		1-282086-4	H	-	VERDE (GREEN)
		1-282086-5	H	-	BLU (BLUE)
		1-282086-6	H	-	VIOLA (VIOLET)
6 X 1		1-282086-2	H	IS	NERO (BLACK)
6 X 1		1-282086-3	H	ID	ARANCIO (ORANGE)

NUMERO DI VIE (NO. OF POSITION)	CONFIGURAZIONE (VISTA DALL'ALTO) CONFIGURATION (VIEW FROM THE TOP)	CODICE CONNETTORE (CONNECT. PART NUMBER) VERSIONE PEZZO SINGOLO (SINGLE PIECE VERSION)	PART REV.	POSIZIONE POLARIZ. (LATO POSTERIORE) POLARIZ. POSITION BACK SIDE	MARCHIATURA CON BANDA COLORATA STRIP COLOUR CODE
1		1-282086-7	B	-	-
1		1-282086-8	B	IS	NERO (BLACK)
1		1-282086-9	B	ID	ARANCIO (ORANGE)

THIS DRAWING IS A CONTROLLED DOCUMENT.

DWN G. ENDRIZZI 23 JULY 97	 TE Connectivity	NAME		
CHK G. VIGNOLI 23 JULY 97		MONO SHAPE MK 1 SINGLE WAY CONN. ASSEMBLY		
APVD G. TURCO 23 JULY 97		SIZE	CAGE CODE	DRAWING NO
PRODUCT SPEC 108-20065		A2	00779	C-282086
APPLICATION SPEC 114-20017	SCALE	SHEET 2 OF 2		
MATERIAL FINISH	WEIGHT	REV H13		
SEE TABLE	SEE TABLE	CUSTOMER DRAWING		