

Applications

- Serial Routing Switchers,
- Production/Master Control Switchers
- Distribution Amplifiers
- Video Tape Recorders, ENG Edit decks, Cameras
- Broadcast video applications
- NLE's, MPEG Encoders/Decoders, format convertors etc.

Standards Compliance

- SMPTE 292M, 259M, 344M, 424M
(only M21428 complies with 424M)
- DVB-ASI

Features

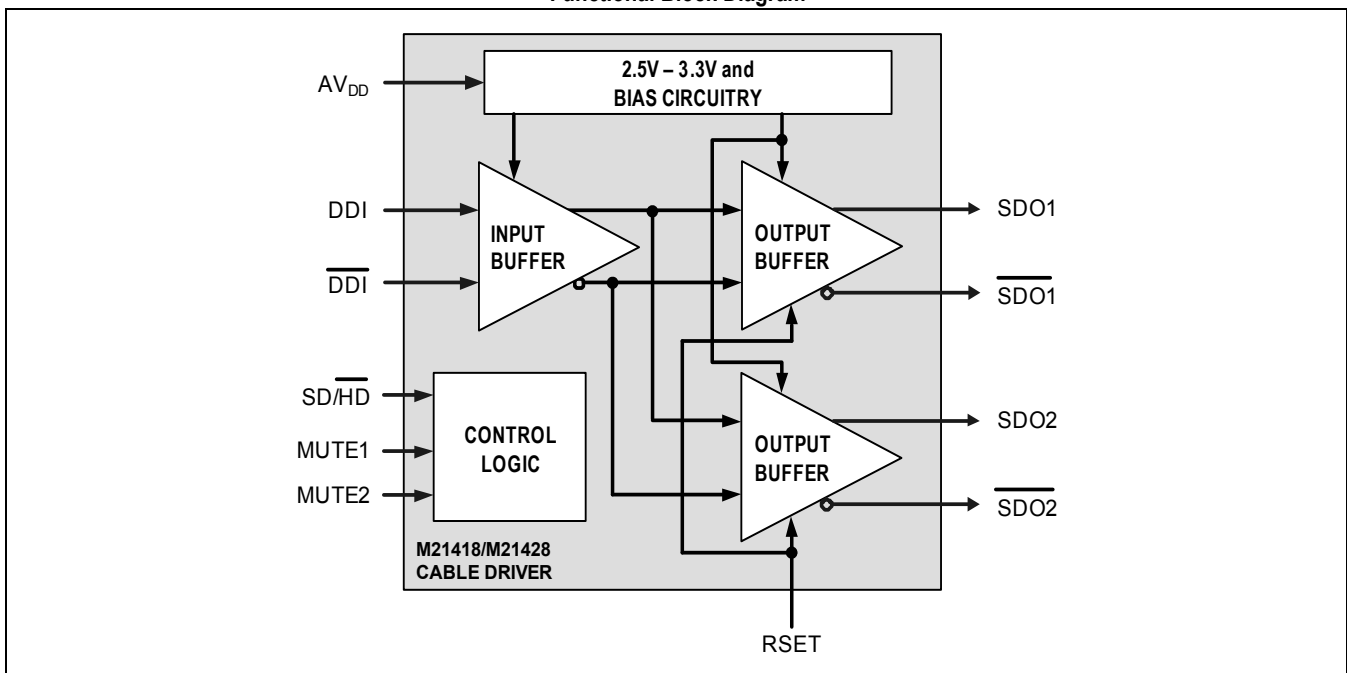
- 3G, HD and SD operation (M21428),
- HD and SD operation (M21418)
- Dual Differential outputs, with individual mute control
- 800 mVp-p single ended output swing (typical)
- 1600 mVp-p maximum single ended output swing
- SD/HD Slew Rate control
- 2.5 V or 3.3 V Supply
- Low P_{DISS} (122 mW @ 2.5 V, 144 mW @ 3.3 V)
- Extended temp. range: -10 to 85 °C
- RoHS package

The M21418 and M21428 are high-speed, low-power, low-jitter cable drivers. They are designed to drive serial digital video data through 75 Ω coaxial cable typically used in SMPTE and DVB-ASI video applications. The M21428 cable driver is optimized for performance from 143 Mbps up to 2970 Mbps, the M21418 cable driver is optimized for performance from 143 Mbps up to 1485 Mbps. Both the M21428 and M21418 have selectable slew rates for SD-SDI and HD-SDI applications.

The typical output rise/fall time of the M21428 is 100 ps for HD and 3G rates, the typical output rise/fall time of the M21418 is 100 ps for HD rates. All devices have a typical set slew rate of 600 ps at SD rates. The default output voltage swing is compliant with SMPTE 292M, 259M, 344M and 424M using a 750 Ω ±1% resistor. The M21418 and M21428 are pin compatible. The M21418/M21428 support a maximum single ended output swing of 1600 mVp-p, when configured appropriately.

All devices are packaged in a new high performance 3x3 mm MLF package to simplify the PCB and reduce package parasitics with resulting improvements in Output Return Loss (ORL). Both devices are available in an RoHS compliant package, that is backwards compatible with standard JEDEC SnPb processes.

Functional Block Diagram



1

Ordering Information

Part Number	Data Rates Supported	Package	Operating Temperature
M21418G-xx*	143–1485 Mbps	3x3 mm MLF—16pins (RoHS compliant)	-10 °C to 85 °C
M21428G-xx*	143–2970 Mbps	3x3 mm MLF—16pins (RoHS compliant)	-10 °C to 85 °C

NOTES:

- * Consult the price list for exact part number when ordering.
- * The letter 'G' designator after the part number indicates a RoHS-compliant package.

Revision History

Revision	Level	Date	Description
V6	Release	December 2015	Added Marking Diagram. Updated Package Drawing Figure 2-3 . Package effective as of July 2014.
V5	Release	May 2015	Updated logos and page layout. No content changes.
E (V4)	Release	July 2013	Removed M21408 part. t_R/t_F maximum in Table 2-7 changed from 180 ps to 135 ps. Added Figure 1-4 . Overshoot/Undershoot increased to +/-10% in Table 2-6 and Table 2-7 . Removed section on Moisture Sensitivity Level in Section 2.0 .
D (V3)	Release	May 2007	Modified text in Section 1.1.2 to indicate that RSET must be used SD/HD changed to pull-up in Table 1-5 .
C (V2)	Release	February 2007	Updated ordering information. Minor updates to Tables 2-3, 2-6, and 2-7 .
B (V1)	Release	February 2007	Production Release M21428 added. Characterization data added to Tables 2-3, 2-6, and 2-7 .
A (V1A)	Advance	April 2006	Initial Release.

M21418/M21428 Marking Diagram

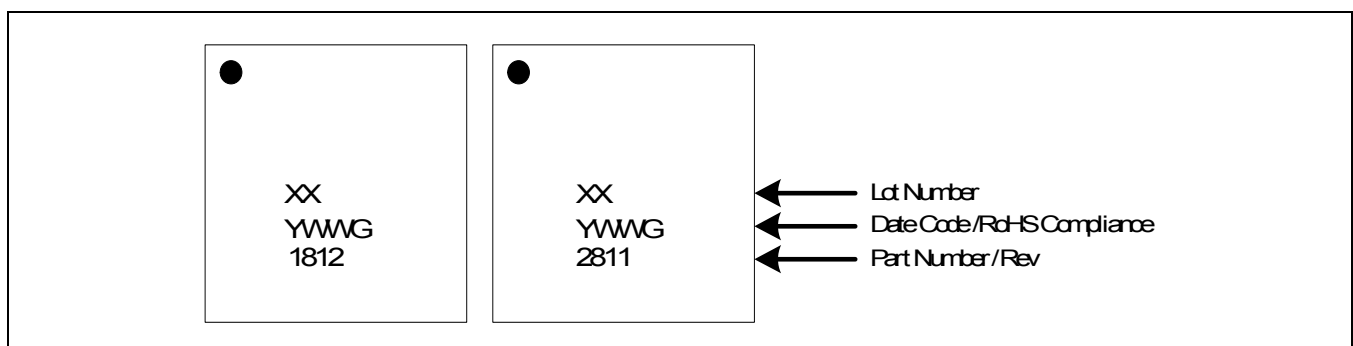


Table of Contents

Ordering Information	2
Revision History	2
Table of Contents	3
List of Figures	4
List of Tables	5
1.0 Functional Description	6
1.1 Features	6
1.1.1 HD-SDI and SD-SDI Slew-rate Selection	6
1.1.2 Output Amplitude Adjustment	6
1.2 Pin Definitions	7
1.2.1 High-speed Inputs	7
1.2.2 High-speed Outputs	8
1.2.3 M21418/M21428 Pin List	10
2.0 Product Specification	11
2.1 Absolute Maximum Ratings	11
2.2 Recommended Operating Conditions	11
2.3 DC Electrical Specifications	12
2.4 Input/Output Level Specifications	13
2.5 Package Specification	17
2.5.1 Mechanical Description	17
2.5.1.1 Package Information	17
2.6 Manufactureability	19
2.6.1 Electrostatic Discharge	19
2.6.2 Peak Reflow Temperature	19
2.7 Design Considerations	19
Appendix	20
A.1 Glossary of Terms/Acronyms	20
A.2 Reference Documents	21
A.2.1 External	21

List of Figures

Figure 1-1.	Typical Input Circuit—AC-coupled	7
Figure 1-2.	Typical Input Circuit—DC-coupled	7
Figure 1-3.	Output Matching/Back-termination Circuit (Both Outputs Used)	8
Figure 1-4.	Output Matching/Back-termination Circuit (Only One Output Used)	9
Figure 2-1.	Output Symbols Definition	16
Figure 2-2.	M21418/M21428 Pin Out	17
Figure 2-3.	Package Drawing (3x3 mm MLF Package)	18

List of Tables

Table 1-1.	Output Swing vs. Supply and Termination Voltage	6
Table 1-2.	Interface Pins	10
Table 1-3.	Power Pins	10
Table 1-4.	High-speed Signal Pins	10
Table 1-5.	Control Pins	10
Table 2-1.	Absolute Maximum Ratings	11
Table 2-2.	Recommended Operating Conditions	11
Table 2-3.	Power DC Electrical Specifications	12
Table 2-4.	CMOS Input Electrical Specifications	13
Table 2-5.	High-Speed Input Electrical Specifications	13
Table 2-6.	Cable Driver Output Electrical Specifications M21418 (SD/HD)	14
Table 2-7.	Cable Driver Output Electrical Specifications M21428 (SD/HD/3G)	15

1.0 Functional Description

1.1 Features

1.1.1 HD-SDI and SD-SDI Slew-rate Selection

The output slew rate of the M21418 and M21428 are selectable to conform with the different SD-SDI and HD-SDI specifications, in the case of the M21428 this includes 3G-SDI. With **SD/HD** = Low, rise/fall time is typically 100 ps. The slew rate will vary depending on the output matching network and connector used.

With **SD/HD** = High, for standard definition (143 to 540 Mbps) applications, the rise/fall time is typically 600 ps, which is compliant with SMPTE 259M and SMPTE 344M.

1.1.2 Output Amplitude Adjustment

For SMPTE compliance, an external $750\ \Omega \pm 1\%$ resistor at **RSET** to **AV_{DD}** is recommended for a swing level of 800 mV within a tolerance that is less than $\pm 10\%$ which meets SMPTE requirements. The output amplitude can also be adjusted to range from 500 to 1600 mV_{PP} single ended using the following formula:

$$\text{Output Swing} = (600/\text{RSET}) [\text{RSET in k}\Omega] \text{ (in mV}_{\text{PP}}, \text{ Single Ended)}$$

The actual swing is set as a function of the IC supply voltage, the external termination voltage and the limitations are shown in Table 1-1. For a 3.3 V minimum termination voltage, the IC can be SMPTE compliant for all supply voltages. In applications where lossy matching or splitting networks are used, the M21418/M21428 offers additional gain of up to 1600 mV_{PP} swings. When using swings in excess of 1200 mV, there will be an increase in rise and fall times.

Table 1-1. Output Swing vs. Supply and Termination Voltage

AV _{DD} (V)	AV _{DDTERM} (V)	Maximum Swing (Single-ended mV _{p-p})	Minimum Swing (Single-ended mV _{p-p})
2.5–3.3 V	3.3 V	1200 mV	500 mV
2.5–3.3 V	5.0 V	1600 mV	500 mV

1.2 Pin Definitions

1.2.1 High-speed Inputs

The M21418/M21428 are designed to be operated with input signals as low as 100 mV or up to 2000 mV differential peak to peak. The M21418/M21428 uses external 50 Ω input termination resistors to match 100 Ω differential impedance transmission lines for improved system level performance. The M21418/M21428 recommended input circuits are shown in [Figure 1-1](#).

Note that AC-coupling is not required when the M21418/M21428 are driven by MACOM Broadcast video devices.

Figure 1-1. Typical Input Circuit—AC-coupled

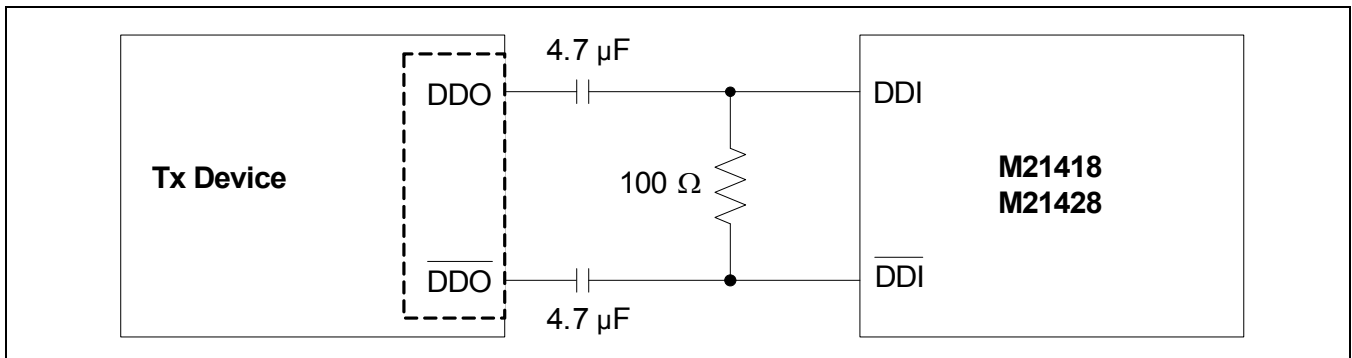
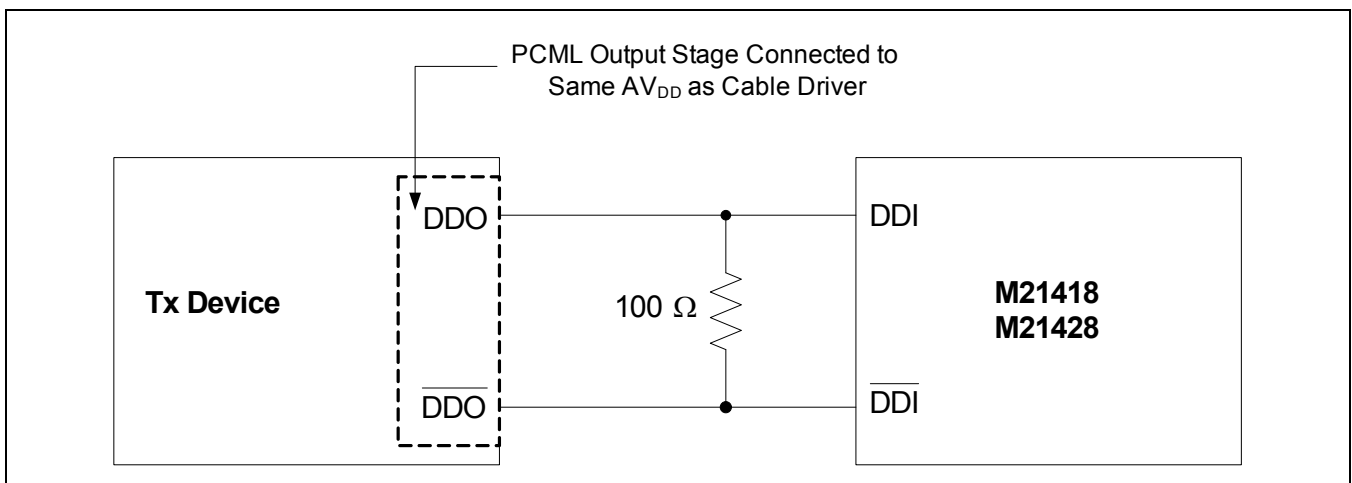


Figure 1-2. Typical Input Circuit—DC-coupled



1.2.2 High-speed Outputs

The M21418/M21428 output buffer is an open collector buffer that is designed for a return loss of 15 dB at SD and HD rates and 10 dB at 3G rates, using standard through-hole BNC connectors as typically employed in broadcast video equipment. A typical output matching circuit is shown in [Figure 1-3](#). The Output Return Loss (ORL) is dependent on many factors such as the value and type of components used, PCB layout, PCB trace lengths, and type of PCB di-electric, therefore, the recommendations in the figure below should be used as starting guidelines only. Different output matching network topologies and different component values will result in different ORL performance.

The M21418/M21428 has SD-SDI and HD-SDI rise/fall times that are typically faster than the legacy cable driver devices but within the relevant SMPTE specification for additional margin in most designs. The faster output slew rate results in a more open eye. The actual maximum output of the part depends on the applied IC voltage as well as the external termination voltage for the load termination. The limitations are discussed in [Section 1.1](#).

Figure 1-3. Output Matching/Back-termination Circuit (Both Outputs Used)

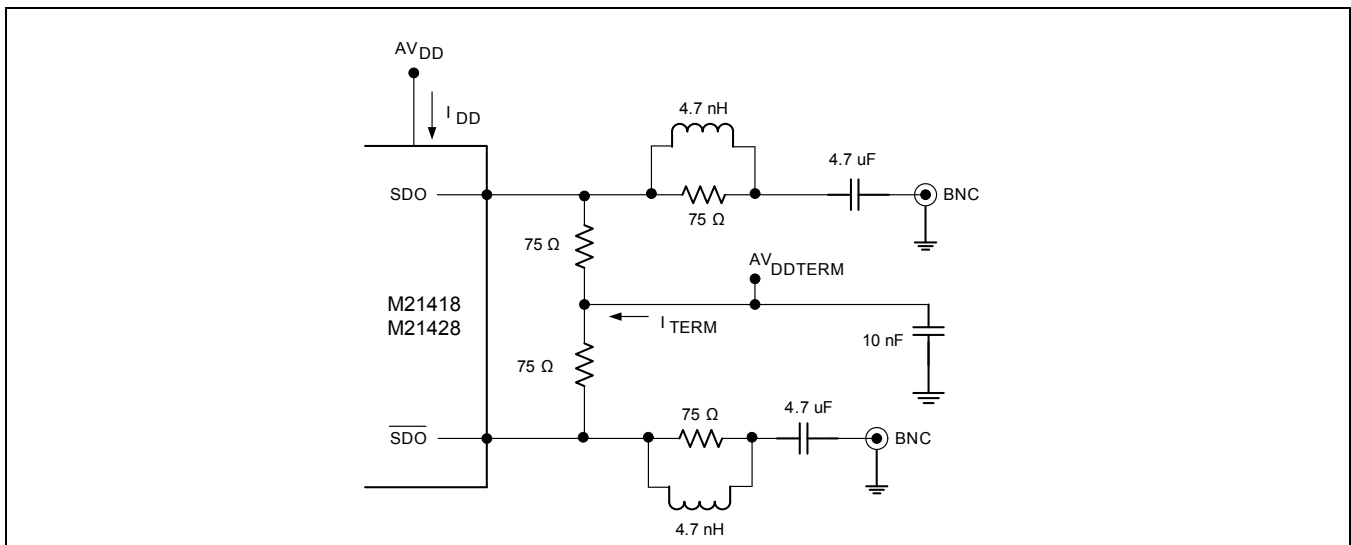
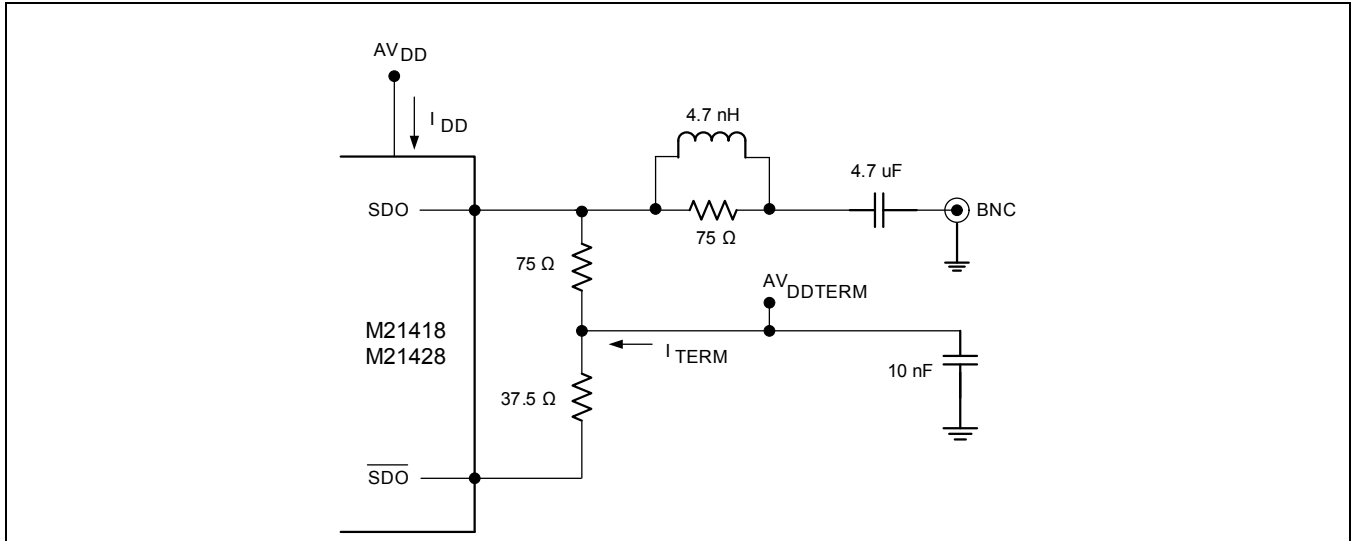


Figure 1-4. Output Matching/Back-termination Circuit (Only One Output Used)



1.2.3 M21418/M21428 Pin List

Table 1-2. Interface Pins

Pin Name	Pin #	Function	Default	Type
RSET	5	Input control signal for setting the single-ended output swing amplitude. Higher output swing levels or reduced variations with a $\pm 1\%$ tolerance external resistor. For 800mVp-p single-ended, a $750\ \Omega \pm 1\%$ resistor to AV_{DD} is recommended.	—	Analog Input

Table 1-3. Power Pins

Pin Name	Pin #	Function	Type
AV_{SS}	3, 8, 15	Chip Ground	Power
AV_{DD}	2, 7	Positive Supply	Power
NC	4	Not Connected. Leave these pins floating. Do not connect to any supply, ground or logic level.	NC

Table 1-4. High-speed Signal Pins

Pin Name	Pin #	Function	Default	Type
DDI/DDI	16, 1	Non-inverting and Inverting serial externally terminated inputs.	—	I—High-speed
SDO2/SDO2	11, 10	Non-inverting and inverting serial unterminated data outputs to coaxial cable.	—	O—High-speed
SDO1/SDO1	13, 12	Non-inverting and inverting serial unterminated data outputs to coaxial cable.	—	O—High-speed

Table 1-5. Control Pins

Pin Name	Pin #	Function	Default	Type
MUTE2	6	A high mutes $\overline{SDO2}/\overline{SDO2}$ outputs, low enables SDO2/SDO2.	Pull-up	I—CMOS
MUTE1	14	A high mutes $\overline{SDO1}/\overline{SDO1}$ outputs, low enables SDO1, $\overline{SDO1}$.	Pull-down	I—CMOS
SD/HD	9	Input control signal to change the output slew rate. SD/HD = High: Slow output slew rate for SD-SDI rate (143–540 Mbps). SD/HD = Low: Fast output slew rate for HD and 3G-SDI rate.	Pull-up	I—CMOS

NOTES:

Internal pull-ups/pull-downs are 100 k Ω .

2.0 Product Specification

2.1 Absolute Maximum Ratings

Table 2-1. Absolute Maximum Ratings

Symbol	Parameter	Minimum	Maximum	Units
V_{DD}	Power	$AV_{SS} - 0.5$	$AV_{SS} + 3.47$	V
V_{IOAM}	Any I/O Pin	$AV_{SS} - 0.5$	$AV_{DD} + 0.5$	V
T_{STORE}	Storage Temperature	-65	+150	°C
ESD_{HBML}	Human Body Model (low-speed)	2000	—	V
ESD_{HBMH}	Human Body Model (high-speed outputs)	2000	—	V
ESD_{CDM}	Charge Device Model	500	—	V

NOTE:
1. No Damage.

2.2 Recommended Operating Conditions

Table 2-2. Recommended Operating Conditions

Symbol	Parameter	Notes	Minimum	Typical	Maximum	Units
AV_{DD}	AV_{DD} Power	1	—	2.5/3.3	—	V
AV_{SS}	AV_{SS} Ground	—	—	0	—	V
T_A	Ambient Temperature	—	-10	—	+85	°C
θ_{JA}	Junction to ambient Thermal Resistance	2	—	75	—	°C/W
AV_{DD_TERM}	75 Ω Output Termination Voltage	See Table 1-1.				

NOTES:
1. $\pm 5\%$ is allowed from nominal supply.
2. Mounted on a multi layer board (≥ 4 layers), airflow = 0.0 m/s.

2.3 DC Electrical Specifications

Table 2-3. Power DC Electrical Specifications

Symbol	Parameter	Notes	Minimum	Typical	Maximum	Units
I_{DD}	Supply Current (one output enabled)	1, 2	—	27	36	mA
I_{DD}	Supply Current (two outputs enabled)	1, 2	—	48	—	mA
I_{DDTERM}	Current in external termination resistors	1, 2, 3	—	22	—	mA
$P_{DISSINT1}$	Power dissipation ($AV_{DD} = 2.5\text{ V}$, $AV_{DDTERM} = 3.3\text{ V}$)	1, 2, 4, 7	—	122	—	mW
$P_{DISSINT2}$	Power dissipation ($AV_{DD} = 2.5\text{ V}$, $AV_{DDTERM} = 3.3\text{ V}$)	1, 2, 5, 7	—	156	—	mW
$P_{DISSINT1}$	Power dissipation ($AV_{DD} = 2.5\text{ V}$, $AV_{DDTERM} = 5.0\text{ V}$)	1, 2, 4, 7	—	159	—	mW
$P_{DISSINT2}$	Power dissipation ($AV_{DD} = 2.5\text{ V}$, $AV_{DDTERM} = 5.0\text{ V}$)	1, 2, 5, 7	—	194	—	mW
$P_{DISSINT1}$	Power dissipation ($AV_{DD} = 3.3\text{ V}$, $AV_{DDTERM} = 3.3\text{ V}$)	1, 2, 4, 7	—	144	—	mW
$P_{DISSINT2}$	Power dissipation ($AV_{DD} = 3.3\text{ V}$, $AV_{DDTERM} = 3.3\text{ V}$)	1, 2, 5, 7	—	195	—	mW
$P_{DISSINT1}$	Power dissipation ($AV_{DD} = 3.3\text{ V}$, $AV_{DDTERM} = 5.0\text{ V}$)	1, 2, 4, 7	—	181	—	mW
$P_{DISSINT2}$	Power dissipation ($AV_{DD} = 3.3\text{ V}$, $AV_{DDTERM} = 5.0\text{ V}$)	1, 2, 5, 7	—	232	—	mW
$P_{DISSTOT1}$	Power dissipation ($AV_{DD} = 2.5\text{ V}$, $AV_{DDTERM} = 3.3\text{ V}$)	1, 2, 4, 6	—	140	—	mW
$P_{DISSTOT2}$	Power dissipation ($AV_{DD} = 2.5\text{ V}$, $AV_{DDTERM} = 3.3\text{ V}$)	1, 2, 5, 6	—	193	—	mW
$P_{DISSTOT1}$	Power dissipation ($AV_{DD} = 2.5\text{ V}$, $AV_{DDTERM} = 5.0\text{ V}$)	1, 2, 4, 6	—	177	—	mW
$P_{DISSTOT2}$	Power dissipation ($AV_{DD} = 2.5\text{ V}$, $AV_{DDTERM} = 5.0\text{ V}$)	1, 2, 5, 6	—	230	—	mW
$P_{DISSTOT1}$	Power dissipation ($AV_{DD} = 3.3\text{ V}$, $AV_{DDTERM} = 3.3\text{ V}$)	1, 2, 4, 6	—	162	—	mW
$P_{DISSTOT2}$	Power dissipation ($AV_{DD} = 3.3\text{ V}$, $AV_{DDTERM} = 3.3\text{ V}$)	1, 2, 5, 6	—	231	—	mW
$P_{DISSTOT1}$	Power dissipation ($AV_{DD} = 3.3\text{ V}$, $AV_{DDTERM} = 5.0\text{ V}$)	1, 2, 4, 6	—	199	—	mW
$P_{DISSTOT2}$	Power dissipation ($AV_{DD} = 3.3\text{ V}$, $AV_{DDTERM} = 5.0\text{ V}$)	1, 2, 5, 6	—	268	—	mW

NOTES:

1. Recommended operating conditions—see [Table 2-2](#).
2. 800 mV standard SMPTE swing, terminated as in [Figure 1-3](#).
3. A portion of the power will be dissipated in the external 750ohm termination ($P_{EXT} = V_{OD} \times I_{TERM}$).
4. One Output Enabled.
5. Two Outputs Enabled.
6. $P_{DISSTOT} = AV_{DD} \times I_{DD} + AV_{DDTERM} \times I_{TERM}$.
7. $P_{DISSINT} = P_{DISSTOT} - P_{EXT}$.

2.4 Input/Output Level Specifications

Table 2-4. CMOS Input Electrical Specifications

Symbol	Parameter	Notes	Minimum	Typical	Maximum	Units
V_{IH}	Input Logic High Voltage	1	$0.75 \times AV_{DD}$	—	$AV_{DD} + 0.3$	V
V_{IL}	Input Logic Low Voltage	1	0	—	$0.25 \times AV_{DD}$	V
I_{IH}	Input Current (logic High)	1	-100	—	100	μA
I_{IL}	Input Current (logic Low)	1	-100	—	100	μA

NOTE:
 1. Specified at recommended operating condition—see Table 2-2.

Table 2-5. High-Speed Input Electrical Specifications

Symbol	Parameter	Notes	Minimum	Typical	Maximum	Units
DR_{IN}	Input Bit Rate (M21418)	1, 2	0	—	1485	Mbps
DR_{IN}	Input Bit Rate (M21428)	1, 2	0	—	2970	Mbps
V_{ID}	Input Differential Voltage (peak to peak)	1, 3, 4	100	—	2000	mV
V_{CM}	Input Common-Mode Voltage	1	1200	—	AV_{DD}	mV
V_{IH}	Maximum Input High Voltage	1	—	—	$AV_{DD} + 400$	mV
V_{IL}	Minimum Input Low Voltage	1	1.2	—	—	V
R_{IN}	Single-ended input impedance	1	—	13.33	20	$k\Omega$

NOTES:
 1. Specified at recommended operation conditions—see Table 2-2.
 2. Part is DC-coupled at the input.
 3. Example 1200 mV_{PP} differential = 600 mV_{PP} for each single-ended terminal.
 4. Minimum input level defined as BER $\leq 10^{-12}$.

Table 2-6. Cable Driver Output Electrical Specifications M21418 (SD/HD)

Symbol	Parameter	Notes	Minimum	Typical	Maximum	Units
DR _{OUT}	Output Bit Rates	1, 5	—	—	1485	Mbps
t _R /t _F	SD Rise/Fall Time (20–80%)	1, 3	400	600	800	ps
	HD Rise/Fall Time (20–80%)	1, 3	—	100	135	ps
t _R /t _{FMM}	Rise/fall mismatch (HD Rate)	1, 2	—	10	30	ps
	Rise/fall mismatch (SD Rate)	1, 2	—	40	100	ps
V _{OD}	Single-ended voltage swing range p–p	1, 2, 4, 5	500	800	1600	mV
V _{ODTOL}	Swing Level output variation at 800 mV _{PP} [RSET = 750 Ω ±1%] (Single-Ended)	1, 2, 3	-7	—	+7	%
V _{OS}	Overshoot/Undershoot	1, 2	-10	—	+10	%
JAO _{PP}	Additive Output Jitter (HD rate 1010 pattern)	1, 8	—	20	30	ps
	Additive Output Jitter (SD rate 1010 pattern)	1, 8	—	40	60	ps
DCD _O	Duty Cycle Distortion (HD Rate)	1, 2, 6, 8	—	15	30	ps
	Duty Cycle Distortion (SD Rate)	1, 2, 6, 8	—	20	70	ps
S ₂₂	Output Return Loss (5 MHz to 1.5 GHz)	1, 2, 7	15	—	—	dB

NOTES:

- Entire table specified at recommended operating condition with 400 mV_{P-P} differential input—see [Table 2-2](#).
- Specification verified at 800 mV_{PP} output with 1 m cable on MACOM test board. System results may vary.
- Rated at nominal SMPTE 800 mV output swing level (using a 750 Ω ±1% resistor at RSET).
- Output stage is an open collector differential pair, actual swing dependant on IC supply voltage and external termination voltage.
- Into 75 Ω back termination and 75 Ω load and appropriate external termination voltage.
- Duty Cycle Distortion (DCD) is defined as the difference in the intrinsic jitter at the 50% voltage level and the intrinsic jitter at the rising/falling edge crossing point. If the rising/falling edge crossing point is at the 50% voltage level, then DCD = 0.
- Measured under DC conditions that simulate AC-coupling, V_T = 3.3 V.
- Measured using a “1010” data pattern.

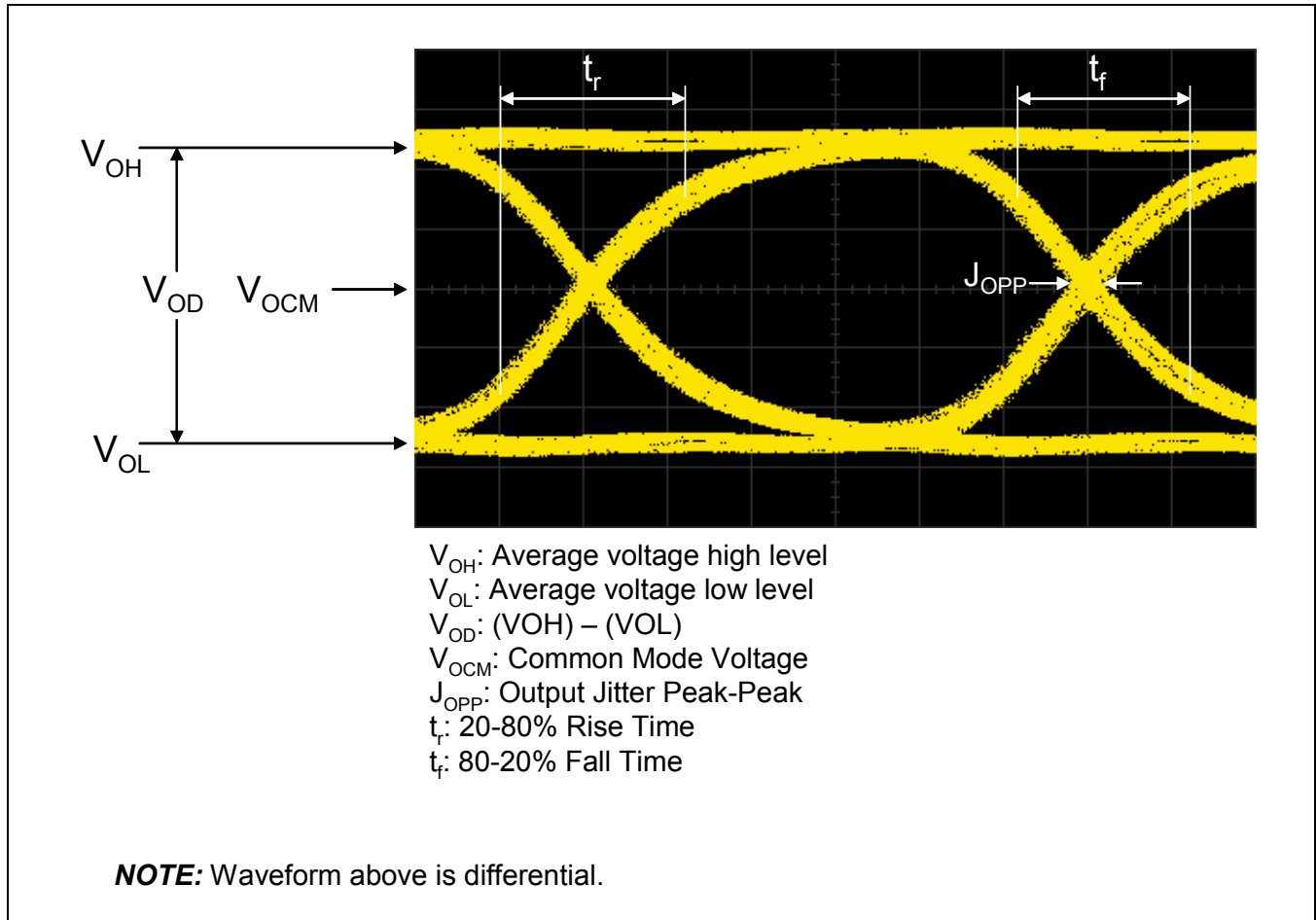
Table 2-7. Cable Driver Output Electrical Specifications M21428 (SD/HD/3G)

Symbol	Parameter	Notes	Minimum	Typical	Maximum	Units
DR _{OUT}	Output Bit Rates	1, 5	—	—	2970	Mbps
t _R /t _F	SD Rise/Fall Time (20–80%)	1, 3, 5	400	600	800	ps
	HD/3G Rise/Fall Time (20–80%)	1, 3, 5	—	100	135	ps
t _R /t _{FMM}	Rise/fall mismatch (HD/3G Rate)	1, 2, 5	—	10	30	ps
	Rise/fall mismatch (SD Rate)	1, 2, 5	—	40	100	ps
V _O	Single-ended voltage swing range p–p	1, 2, 4, 5	500	800	1600	mV
V _{OTOL}	Swing Level output variation at 800 mV _{PP} [RSET = 750 Ω ±1%] (Single-Ended)	1, 2, 3, 5	-7	—	+7	%
V _{OS}	Overshoot/Undershoot	1, 2, 5	-10	—	+10	%
JAO _{PP}	Additive Output Jitter (HD/3G rate)	1, 5, 8	—	20	30	ps
	Additive Output Jitter (SD rate)	1, 5, 8	—	40	60	ps
DCD _O	Duty Cycle Distortion (HD/3G Rate)	1, 2, 5, 6, 8	—	15	30	ps
	Duty Cycle Distortion (SD Rate)	1, 2, 5, 6, 8	—	20	70	ps
S ₂₂	Output Return Loss (5 MHz to 1.5 GHz)	1, 2, 5, 7	15	—	—	dB
S ₂₂	Output Return Loss (5 MHz to 3.0 GHz)	1, 2, 5, 7	10	—	—	dB

NOTES:

- Entire table specified at recommended operating condition with 400 mV_{P-P} differential input—see [Table 2-2](#).
- Specification verified at 800 mV_{PP} output with 1 m cable on MACOM test board. System results may vary.
- Rated at nominal SMPTE 800 mV output swing level (using a 75 Ω ±1% resistor at RSET).
- Output stage is an open collector differential pair, actual swing dependant on IC supply voltage and external termination voltage.
- Into 75 Ω back termination and 75 Ω load and appropriate external termination voltage, see [Table 1-1](#), [Figure 1-3](#).
- Duty Cycle Distortion (DCD) is defined as the difference in the intrinsic jitter at the 50% voltage level and the intrinsic jitter at the rising/falling edge crossing point. If the rising/falling edge crossing point is at the 50% voltage level, then DCD = 0.
- Measured under DC conditions that simulate AC-coupling, V_T = 3.3 V.
- Measured using a “1010” data pattern.

Figure 2-1. Output Symbols Definition



2.5 Package Specification

2.5.1 Mechanical Description

2.5.1.1 Package Information

The M21418/M21428 are available in a 16-pin, 3x3 mm MLF IC package. The pin out is shown in [Figure 2-2](#) and the package drawing in [Figure 2-3](#).

Figure 2-2. M21418/M21428 Pin Out

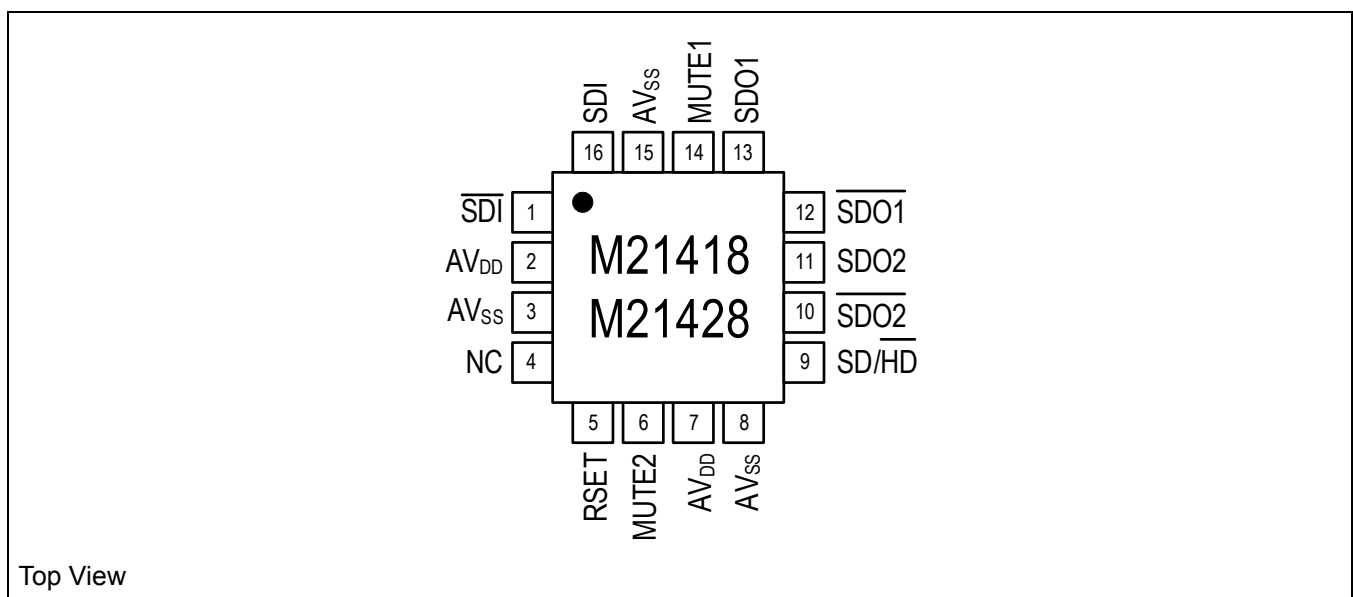
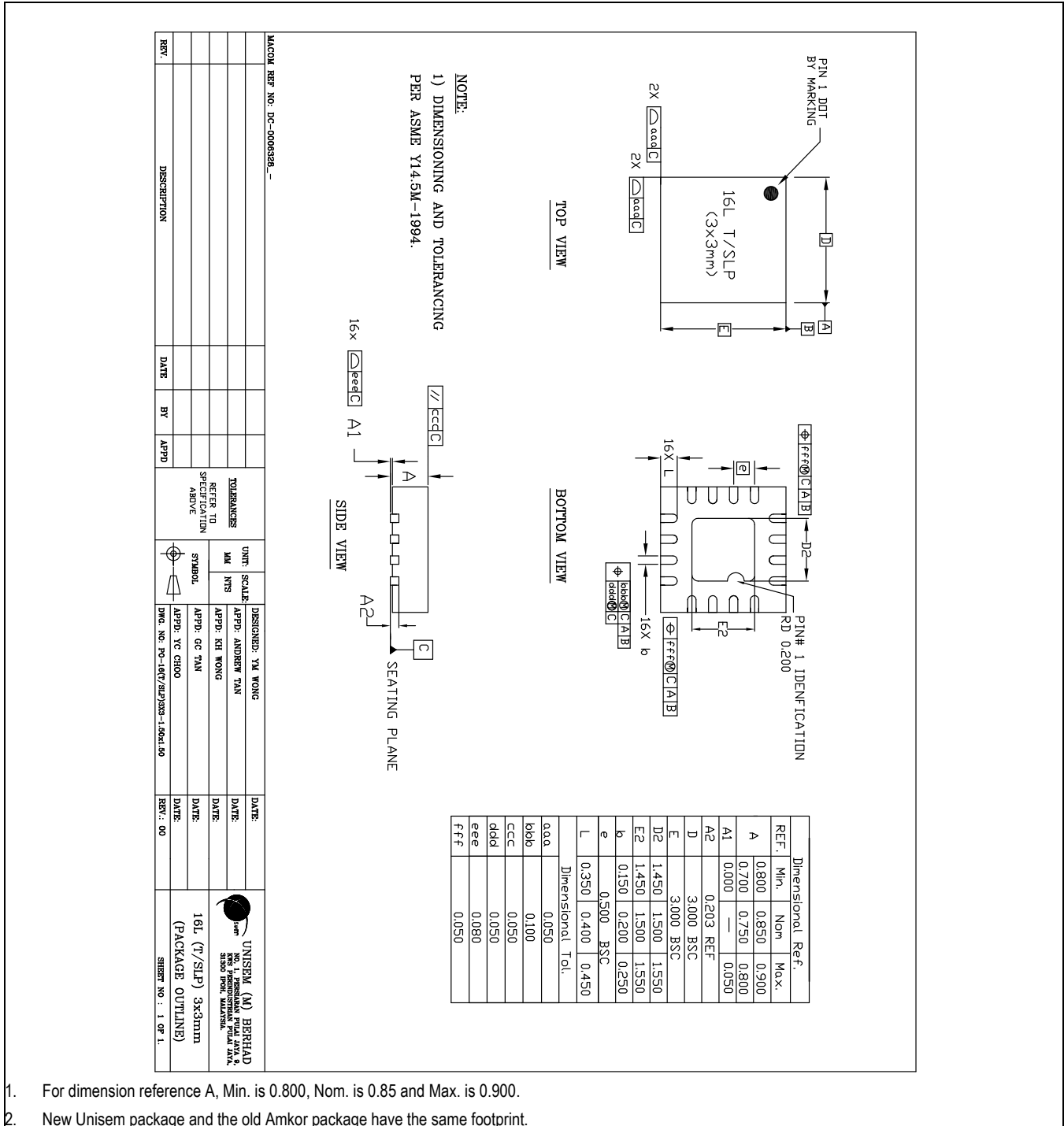


Figure 2-3. Package Drawing (3x3 mm MLF Package)



- For dimension reference A, Min. is 0.800, Nom. is 0.85 and Max. is 0.900.
- New Unisem package and the old Amkor package have the same footprint.

2.6 Manufactureability

The values shown in this section may change; however, these are standard requirements.

2.6.1 Electrostatic Discharge

Tested per JESD22-A114. This device passes 2000 V of ESD Human Body Model (HBM) testing.

Tested per JESD22-C101. This device passes 500 V of ESD Charged Device Model (CDM) testing.

Tested per EIA/JESD78. This device passes 150 mA of trigger current at 85 °C during Latchup testing.

2.6.2 Peak Reflow Temperature

M21418/M21428G (RoHS compliant package): Peak reflow temperature is 260 °C per JEDEC standards.

2.7 Design Considerations

See Digital Video Interfacing Application Note (212xx-APP-001-A) for guidance on the following:

- Component Placement and Layout
- Routing Considerations and Thermal Considerations

The M21418/M21428 consumes less power than legacy devices, therefore the M21418/M21428 will contribute less thermal energy resulting in a lower operating temperature.

Appendix

A.1 Glossary of Terms/Acronyms

BER	Bit Error Rate
CD	Cable Driver
CDA	Cable Distribution Amplifier
CML	Current Mode Logic
CMOS	Complementary Metal Oxide Semiconductor
DPLL	Digital Phase Locked Loop
DTV	Digital Television
DVB	Digital Video Broadcast
EMI	Electro Magnetic Interference
EQ	Equalizer or Equalization
GREEN	Environmentally friendly
HD	High Definition
HW	Hardware
IC	Integrated Circuit
ID	Identifier
I/O	Input/Output
MLF	Micro Lead Frame package (also called QFN)
PCB	Printed Circuit Board
ORL	Output Return Loss
RoHS	Restriction of Hazardous Substances
SD	Standard Definition
SDI	Serial Digital Input
SDO	Serial Digital Output
SE	Single Ended
SMPTE	Society of Motion Picture and Television Engineers

A.2 Reference Documents

A.2.1 External

The following external documents were referenced in this data sheet.

- SMPTE 292M, SMPTE 259M, SMPTE 344M
- ESI t_R 101 891 DVB Asynchronous Serial Interface (ASI)

M/A-COM Technology Solutions Inc. All rights reserved.

Information in this document is provided in connection with M/A-COM Technology Solutions Inc ("MACOM") products. These materials are provided by MACOM as a service to its customers and may be used for informational purposes only. Except as provided in MACOM's Terms and Conditions of Sale for such products or in any separate agreement related to this document, MACOM assumes no liability whatsoever. MACOM assumes no responsibility for errors or omissions in these materials. MACOM may make changes to specifications and product descriptions at any time, without notice. MACOM makes no commitment to update the information and shall have no responsibility whatsoever for conflicts or incompatibilities arising from future changes to its specifications and product descriptions. No license, express or implied, by estoppel or otherwise, to any intellectual property rights is granted by this document.

THESE MATERIALS ARE PROVIDED "AS IS" WITHOUT WARRANTY OF ANY KIND, EITHER EXPRESS OR IMPLIED, RELATING TO SALE AND/OR USE OF MACOM PRODUCTS INCLUDING LIABILITY OR WARRANTIES RELATING TO FITNESS FOR A PARTICULAR PURPOSE, CONSEQUENTIAL OR INCIDENTAL DAMAGES, MERCHANTABILITY, OR INFRINGEMENT OF ANY PATENT, COPYRIGHT OR OTHER INTELLECTUAL PROPERTY RIGHT. MACOM FURTHER DOES NOT WARRANT THE ACCURACY OR COMPLETENESS OF THE INFORMATION, TEXT, GRAPHICS OR OTHER ITEMS CONTAINED WITHIN THESE MATERIALS. MACOM SHALL NOT BE LIABLE FOR ANY SPECIAL, INDIRECT, INCIDENTAL, OR CONSEQUENTIAL DAMAGES, INCLUDING WITHOUT LIMITATION, LOST REVENUES OR LOST PROFITS, WHICH MAY RESULT FROM THE USE OF THESE MATERIALS.

MACOM products are not intended for use in medical, lifesaving or life sustaining applications. MACOM customers using or selling MACOM products for use in such applications do so at their own risk and agree to fully indemnify MACOM for any damages resulting from such improper use or sale.