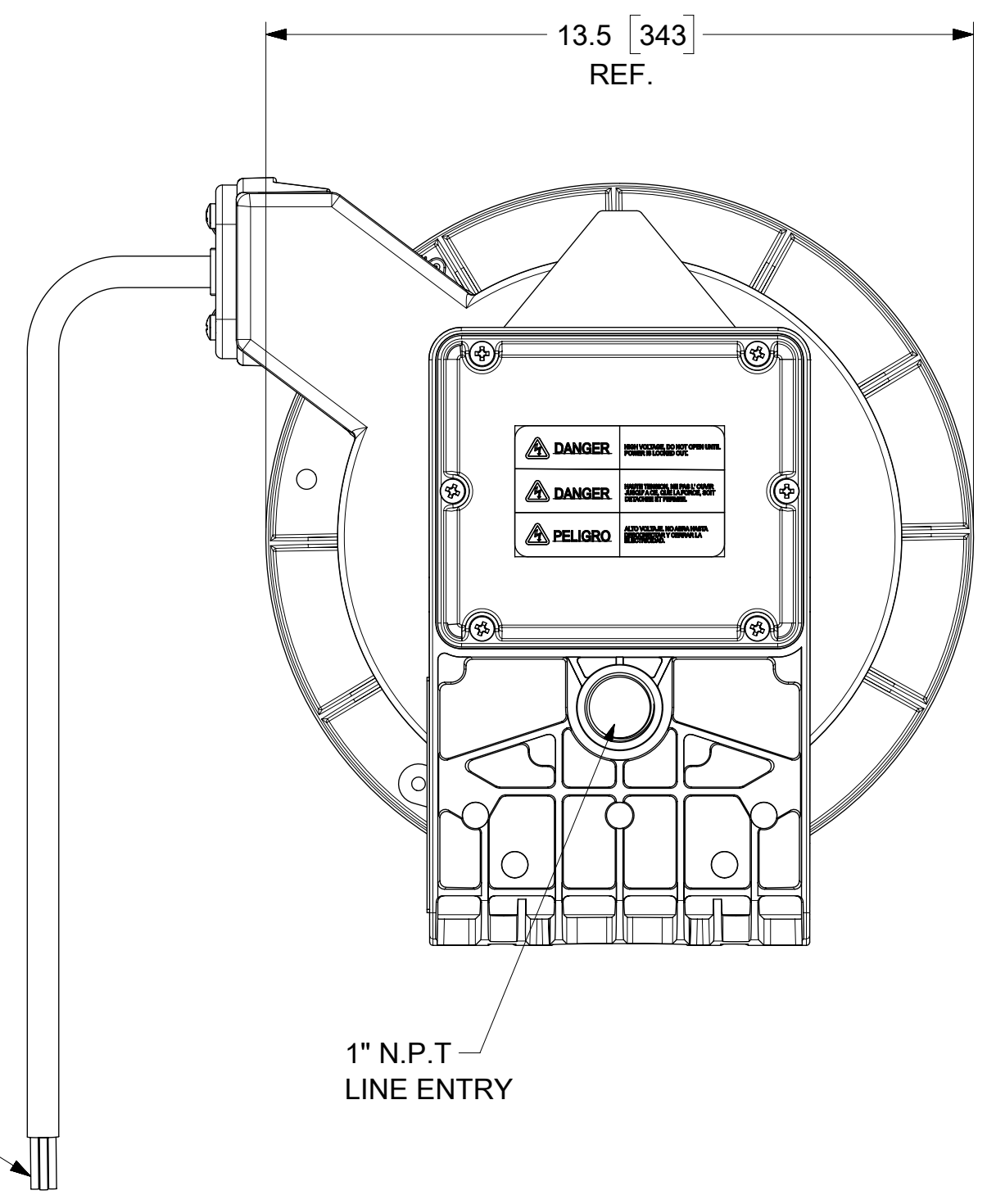
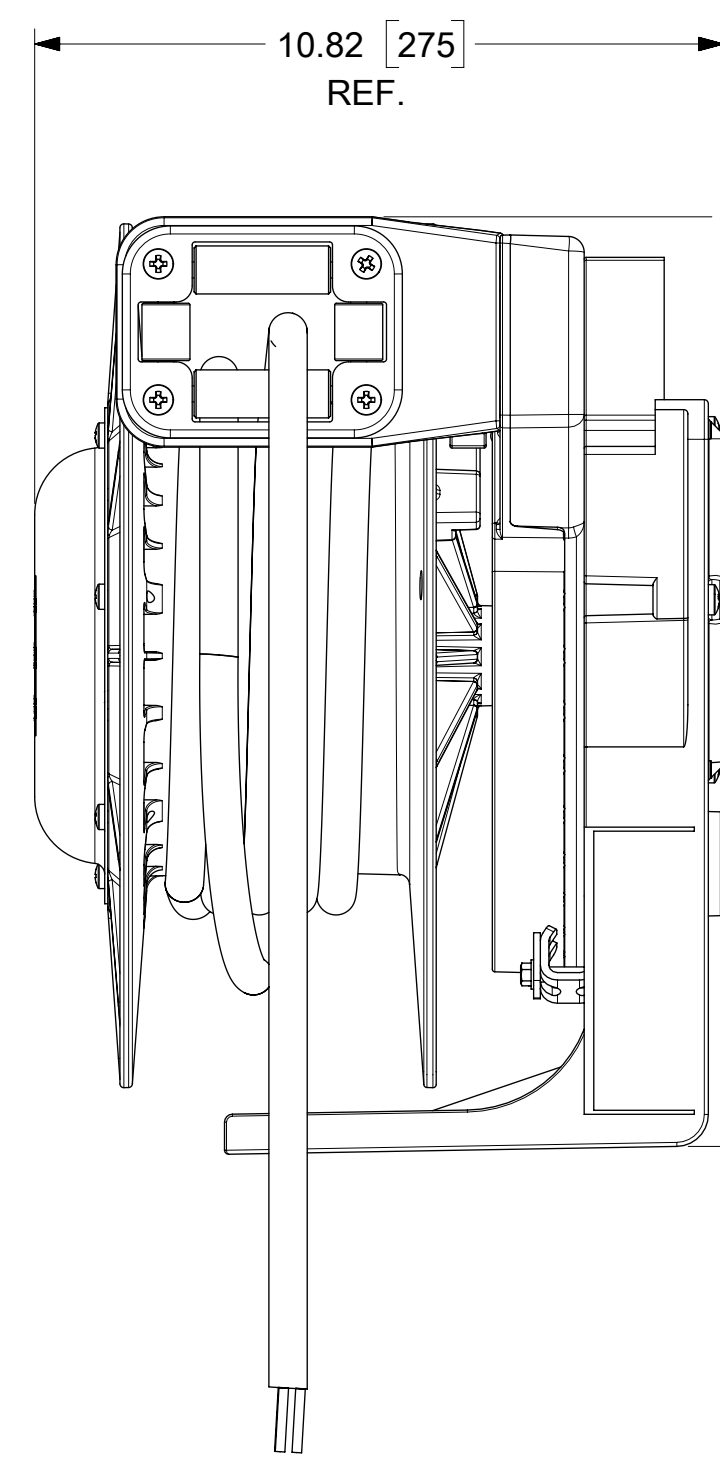
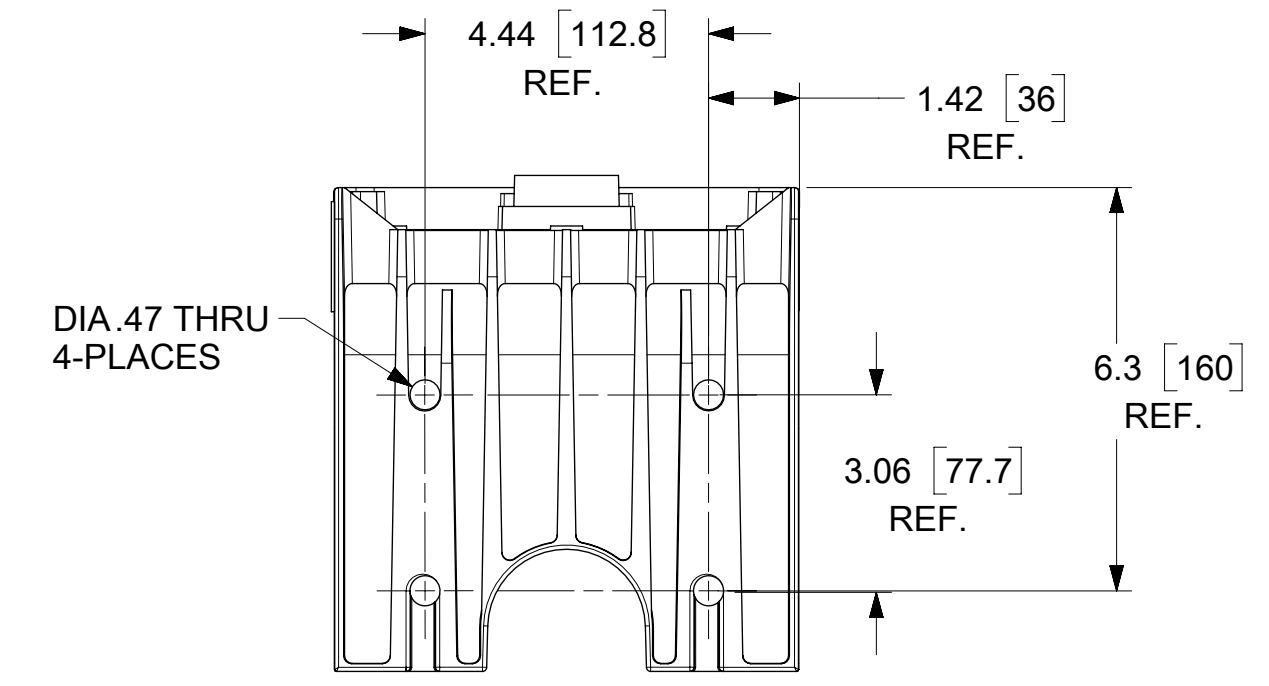


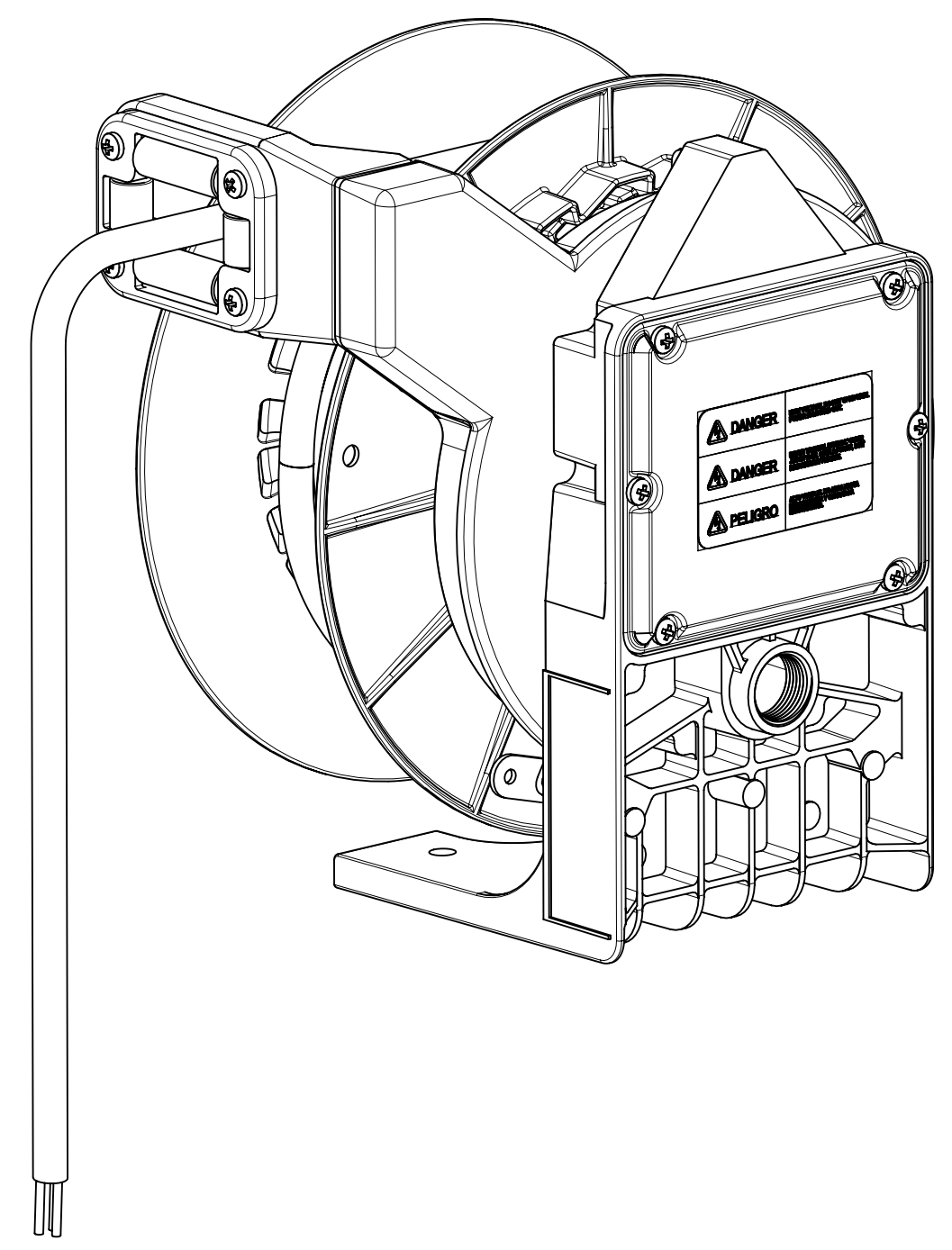
ORDER NO	130083-0240
WOODHEAD ENG. NO	92482
WIRE GAUGE	14
CONDUCTORS	8
AMPERAGE	8A
WORKING CORD	30 FT. BLACK
CORD TYPE	SOOW
CONSTRUCTION	HEAVY WALL CAST ALUMINUM
PAINT	YELLOW POWDER COAT
REEL ENCLOSURE RATING	NEMA 4 INDOOR / OUTDOOR
RETRACTION WEIGHT	4.0 LB [1.8 KG]



FLYING LEAD



**BOTTOM VIEW**



- NOTES:**
1. CABLE GUIDE IS ADJUSTABLE EVERY 5 DEGREES OVER 270 DEGREE ARC.
  2. RATCHET LOCK IS EASY TO DISENGAGE FOR CONSTANT TENSION.
  3. REEL CANNOT BE "LOCKED OUT" AT FULL EXTENSION.

FUNCTIONAL SYMBOLS	THIS DRAWING CONTAINS INFORMATION THAT IS PROPRIETARY TO MOLEX ELECTRONIC TECHNOLOGIES, LLC AND SHOULD NOT BE USED WITHOUT WRITTEN PERMISSION			CURRENT REV DESC: RELEASE CUSTOMER DRAWING					
	DIMENSION UNITS	SCALE							
$F_A = 0$	INCH/MM	NTS		GENERAL TOLERANCES (UNLESS SPECIFIED)			<b>EC NO:</b> 674250 <b>DRWN:</b> VHANDI 2020/07/17 <b>CHK'D:</b> DSOPPIN 2022/05/11 <b>APPR:</b> HKNEELAND 2022/05/13		
$F_C = 0$		MM	INCH						
$F_D = 0$	4 PLACES	±	±	<b>INITIAL REVISION:</b> <b>DRWN:</b> VHANDI 2020/07/17 <b>APPR:</b> HKNEELAND 2022/05/13			<b>PRODUCT CUSTOMER DRAWING</b> DOCUMENT NUMBER: <b>1300830240</b>   DOC TYPE: PSD   DOC PART: 000   REVISION: <b>A</b>		
DIVISIONAL SYMBOLS	3 PLACES	±	± 0.005						
	2 PLACES	± 0.13	± 0.01	THIRD ANGLE PROJECTION 			MATERIAL NUMBER: SEE TABLE   CUSTOMER: GENERAL MARKET   SHEET NUMBER: 1 OF 1		
	1 PLACE	± 0.25	± 0.02						
	0 PLACES	±	±	DRAFT WHERE APPLICABLE MUST REMAIN WITHIN DIMENSIONS			SERIES: 130083		
	ANGULAR TOL	± 0.5°							