

F

F

E

E

D

D

C

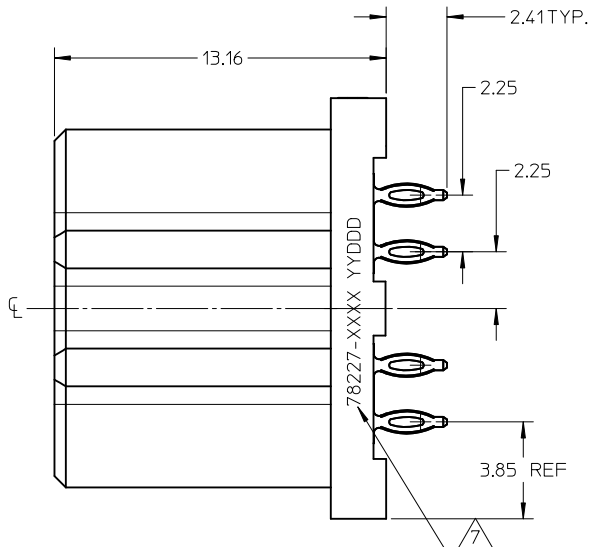
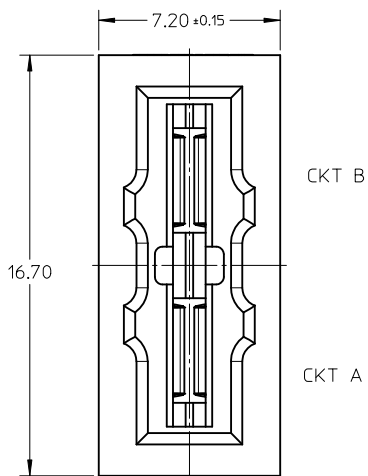
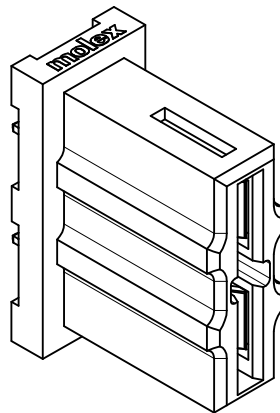
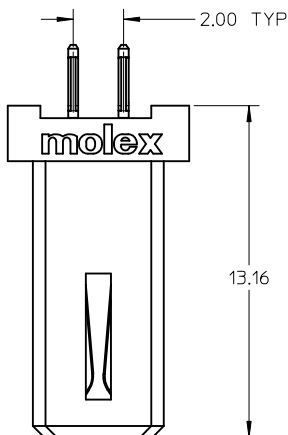
C

B

B

A

A



NOTES:

1. MATERIALS :  
 HOUSING - LCP, GLASS FILLED, UL94-V0, COLOR: BLACK.  
 POWER PIN - COPPER ALLOY
2. FINISHES :  
 0.76 MICROMETER MINIMUM GOLD AT CONTACT AREA AND  
 2.54 MICROMETER MINIMUM TIN AT SOLDER TAIL AREA  
 OVER 1.27um MINIMUM NICKEL UNDERPLATE.
3. PRODUCT SPECIFICATION: PS-78231-006.



COMPONENT STAY AWAY ZONE FROM CONNECTOR.  
 PCB NOTE FOR PLATED HOLE.

TYPE OF PLATED HOLE	DRILLED HOLE SIZE	PLATING THICKNESS	PLATED HOLE SIZE "ØDIM H"
TIN	0.838	0.007 MIN TIN/SILVER	0.725±0.075
SILVER	0.863	OVER 0.03 TO 0.08 COPPER PLATING	0.750±0.050

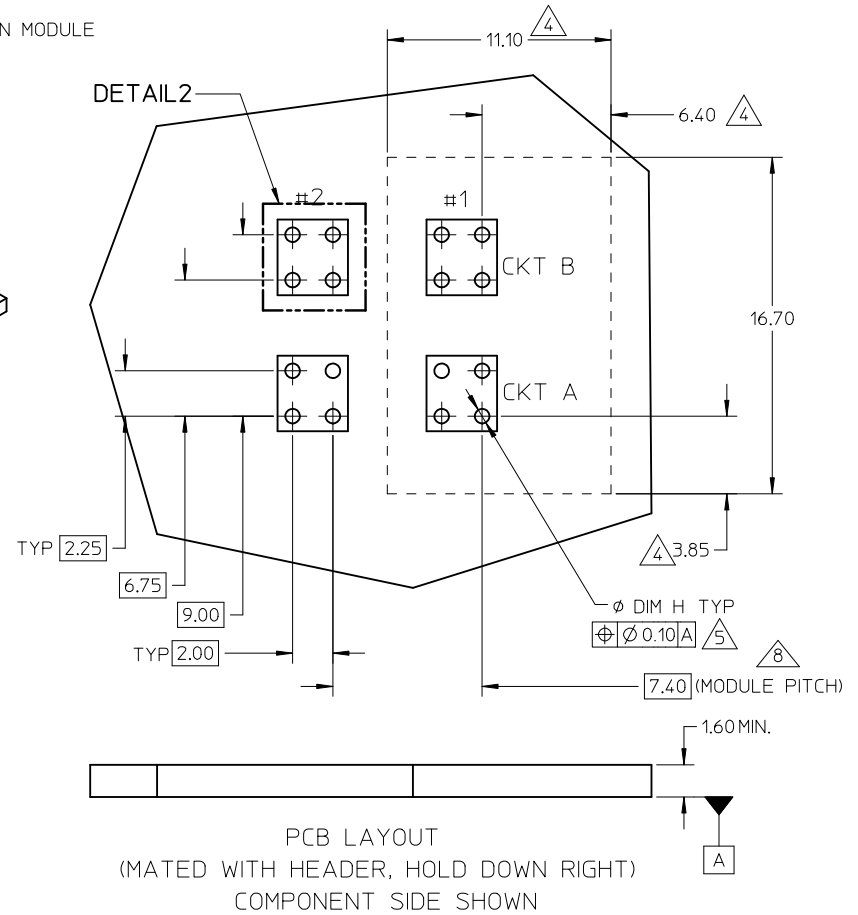
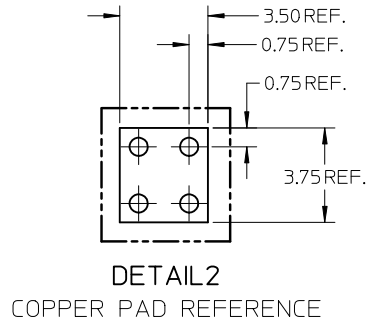
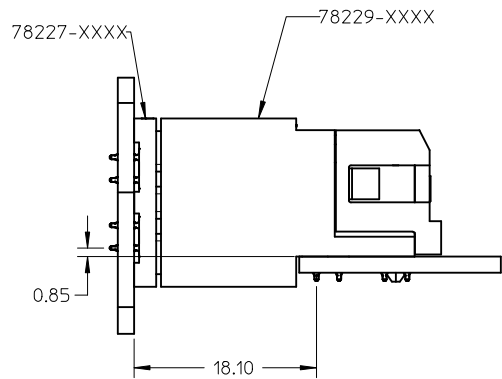
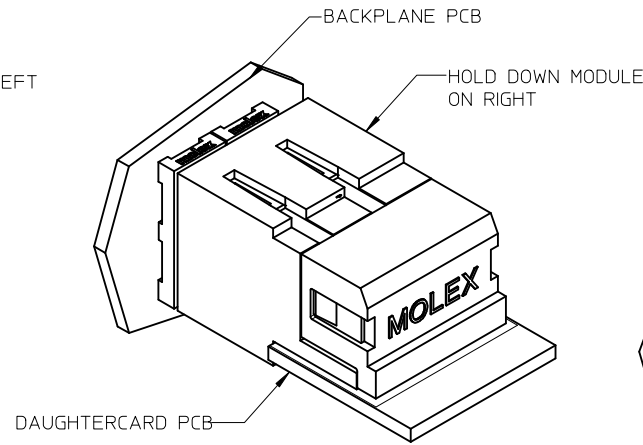
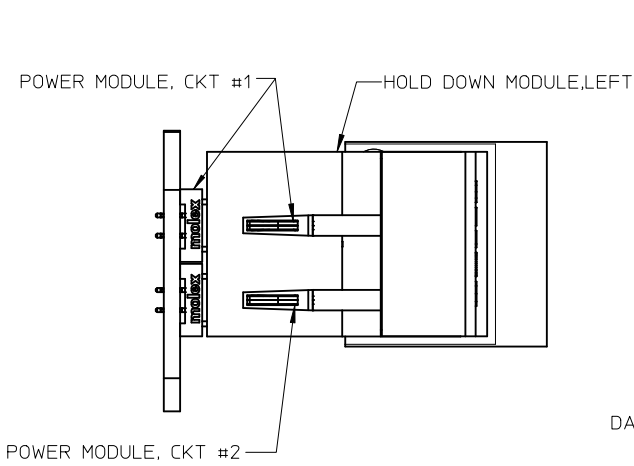
SEE SHEET 2 OR SHEET 3 FOR RECOMMENDED PCB LAYOUT.

6. MATES WITH 78229-\*\*\*\*.
7. PART NUMBER AND YY-DDD CODE.
8. ADD 7.4MM FOR EACH ADDITIONAL POWER MODULE.
9. PACKAGING PROCEDURE AS PER PK-78227-001.



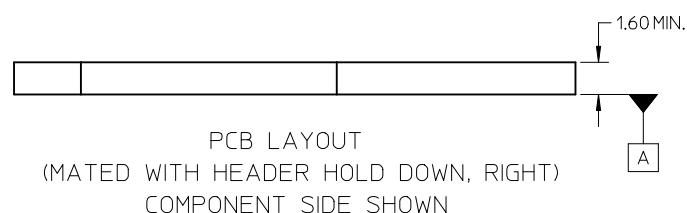
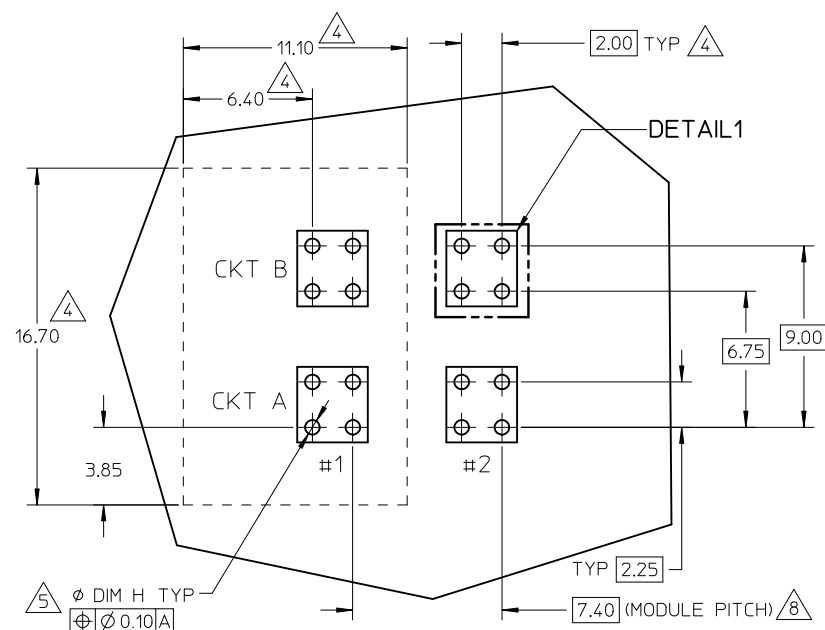
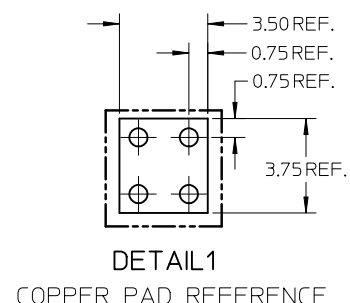
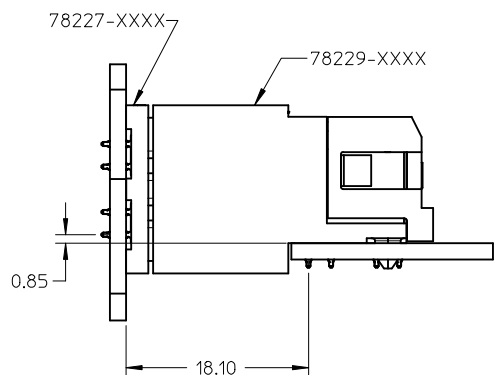
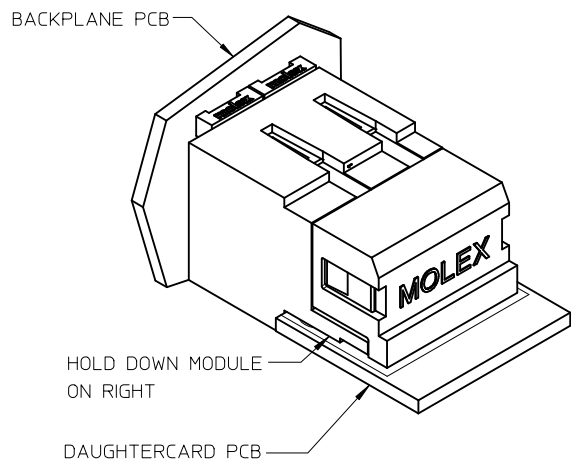
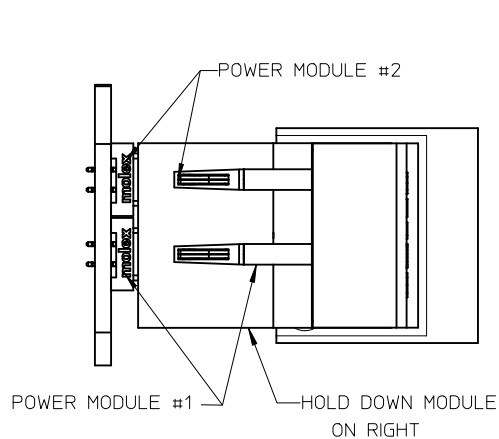
REMOVE PB/SN EC NO: S2012-0580 DRWN: SHONG CHKD: LNG APPR: NAGESHKIN 2012/01/31 2012/02/13 2012/02/13	QUALITY SYMBOLS ▽=0 ◻=0	GENERAL TOLERANCES (UNLESS SPECIFIED)		DIMENSION STYLE MM ONLY		SCALE NTS	DESIGN UNITS METRIC	THIRD ANGLE PROJECTION		
			mm	INCH	DRAWN BY	DATE	TITLE			
		4 PLACES	± ---	± ---	LNG	2006/08/28	I-TRAC POWER, 7 ROW VERTICAL RECEPTACLE PRESS-FIT MOLEX INCORPORATED			
		3 PLACES	± ---	± ---	CHECKED BY	DATE				
	± 0.25	± ---	NRVITTAPELLI	2007/01/24	DOCUMENT NO.					
2 PLACES	± ---	± ---	APPROVED BY	DATE	SHEET NO.					
1 PLACE	± ---	± ---	NAGESHKIN	2012/01/06	1 OF 3					
ANGULAR ± 3 °		DRAFT WHERE APPLICABLE MUST REMAIN WITHIN DIMENSIONS		MATERIAL NO. 782271001		MOLEX INCORPORATED SD-78227-011				
				SIZE A3		THIS DRAWING CONTAINS INFORMATION THAT IS PROPRIETARY TO MOLEX INCORPORATED AND SHOULD NOT BE USED WITHOUT WRITTEN PERMISSION				

# MATED DIMENSIONS AND PCB LAYOUT WITH HEADER HOLD DOWN LEFT



REMOVE PB/SN EC NO: S2012-0580 DRWN: SHONG CHKD: LNG APPR: NAGESHKN 2012/01/31 2012/02/13 2012/02/13	DESCRIPTION DESCRIPTION	QUALITY SYMBOLS ▽=0 ◻=0	GENERAL TOLERANCES (UNLESS SPECIFIED)		DIMENSION STYLE MM ONLY		SCALE NTS	DESIGN UNITS METRIC	THIRD ANGLE PROJECTION		
			4 PLACES ± --- ± --- 3 PLACES ± --- ± --- 2 PLACES ± 0.25 ± --- 1 PLACE ± --- ± ---	mm INCH DRAWN BY DATE LNG 2006/08/28 CHECKED BY DATE NRVITTAPALLI 2007/01/24 APPROVED BY DATE NAGESHKN 2012/01/06	TITLE I-TRAC POWER, 7 ROW VERTICAL RECEPTACLE PRESS-FIT		MOLEX INCORPORATED		SHEET NO. 2 OF 3		
		ANGULAR ± 3 °		MATERIAL NO. 782271001		DOCUMENT NO. SD-78227-011		MOLEX		THIS DRAWING CONTAINS INFORMATION THAT IS PROPRIETARY TO MOLEX INCORPORATED AND SHOULD NOT BE USED WITHOUT WRITTEN PERMISSION	
		DRAFT WHERE APPLICABLE MUST REMAIN WITHIN DIMENSIONS		SIZE A3		DOCUMENT NO. SD-78227-011		MOLEX		THIS DRAWING CONTAINS INFORMATION THAT IS PROPRIETARY TO MOLEX INCORPORATED AND SHOULD NOT BE USED WITHOUT WRITTEN PERMISSION	

# MATED DIMENSIONS AND PCB LAYOUT WITH HEADER HOLD DOWN RIGHT



REMOVE PB/SN EC NO: S2012-0580 DRWN: SHONG CHKD: LNG APPR: NAGESHKN	DESCRIPTION 2012/01/31 2012/02/13 2012/02/13	QUALITY SYMBOLS	GENERAL TOLERANCES (UNLESS SPECIFIED)	DIMENSION STYLE	SCALE	DESIGN UNITS	THIRD ANGLE PROJECTION	
		$\nabla=0$ $\square=0$	mm    INCH 4 PLACES ± --- ± --- 3 PLACES ± --- ± --- 2 PLACES ± 0.25 ± --- 1 PLACE ± --- ± --- ANGULAR ± 3 °	MM ONLY	NTS	METRIC	DRAWN BY: LNG    DATE: 2006/08/28 CHECKED BY: NRVITTAPALLI    DATE: 2007/01/24 APPROVED BY: NAGESHKN    DATE: 2012/01/06	TITLE
		DRAFT WHERE APPLICABLE MUST REMAIN WITHIN DIMENSIONS	MATERIAL NO. 782271001	DOCUMENT NO. SD-78227-011	SHEET NO. 3 OF 3			
		THIS DRAWING CONTAINS INFORMATION THAT IS PROPRIETARY TO MOLEX INCORPORATED AND SHOULD NOT BE USED WITHOUT WRITTEN PERMISSION						