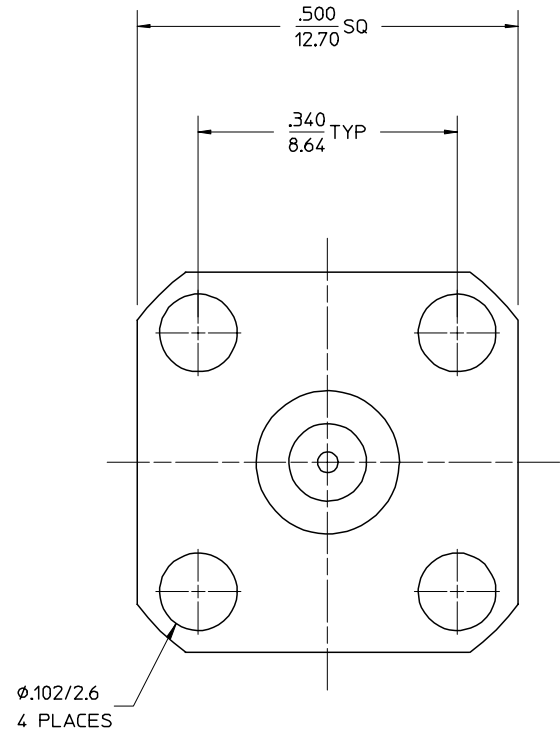
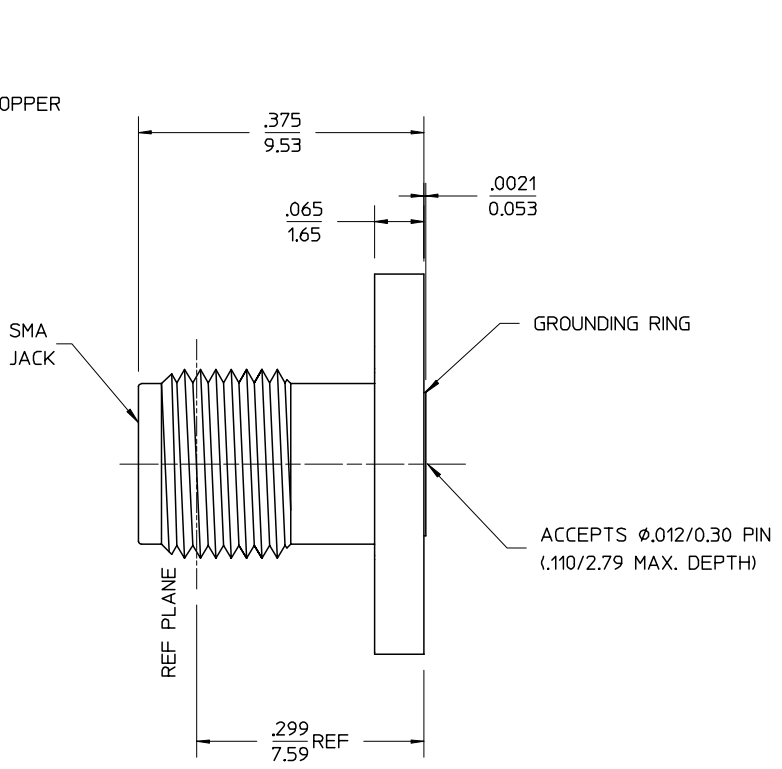


MATERIALS AND FINISHES:
 BODY STAINLESS STEEL
 PASSIVATED

CENTER CONTACT BERYLLIUM COPPER
 PLATED GOLD

INSULATOR TEFLON



PART # 73251-0160

MIL-STD-348, FIGURE 310-2	INTERFACE
PS-89675-2910	ELECTRO/MECH PERFORMANCE
SPECIFICATION	DESCRIPTION

CHG: NEW RELEASE	EC NO. URF-0233	DESCRIPTION
	DRWN: TEF 06/21/99	
A	CHK: DHG 06/21/99	UNLESS OTHERWISE SPECIFIED DIMS ARE INCHES AND ANGLES ARE DEGREES.
	APPR: GMH 06/21/99	1. √ 63 ALL OVER.
		2. NO CHATTER OR NON-UNIFORM SURFACE FINISH ALLOWED.
		3. PARTS TO BE FREE OF BURRS & SHARP EDGES .005 MAX BREAK.
		4. EXTERNAL THREADS TO BE ROLLED OR SINGLE POINT.
		5. DIAMETERS TO BE CONCENTRIC WITHIN .003 TIR.

UNLESS OTHERWISE SPECIFIED DIMS ARE INCHES AND ANGLES ARE DEGREES.
 1. √ 63 ALL OVER.
 2. NO CHATTER OR NON-UNIFORM SURFACE FINISH ALLOWED.
 3. PARTS TO BE FREE OF BURRS & SHARP EDGES .005 MAX BREAK.
 4. EXTERNAL THREADS TO BE ROLLED OR SINGLE POINT.
 5. DIAMETERS TO BE CONCENTRIC WITHIN .003 TIR.

QUALITY SYMBOLS
 MAJOR
 CRITICAL

GENERAL TOLERANCES: (UNLESS SPECIFIED)	
mm	INCH
4 PLACES ± .0005	3 PLACES ± .005
2 PLACES ± .01	1 PLACE ± .1
ANGULAR: ± 1/2°	
DRAFT WHERE APPLICABLE MUST REMAIN WITHIN DIMENSIONS	

SCALE	DESIGN UNITS
EDC 12/10/97	mm <input type="checkbox"/> INCH <input checked="" type="checkbox"/>
DRAWN BY & DATE	CHECKED BY & DATE
DHG 01/09/98	DHG 01/09/98
APPROVED BY & DATE	APPROVED BY & DATE
GMH 01/09/98	GMH 01/09/98
CAD FILENAME	MATERIAL NO. SEE NOTE

THIRD ANGLE PROJECTION	DIMENSIONS: mm <input type="checkbox"/> INCH <input checked="" type="checkbox"/> mm ONLY	SHT 1	REV A
TITLE: SMA JACK, RECEPTACLE, 4 HOLE FLANGE MOUNT, ACCEPTS .012 DIA PIN SMA-JR/F			
MOLEX MOLEX INCORPORATED		SHEET NO. 1 of 1	
DRAWING NO. SD-73251-016		SIZE B	
THIS DRAWING CONTAINS INFORMATION THAT IS PROPRIETARY TO MOLEX INCORPORATED AND SHOULD NOT BE USED WITHOUT WRITTEN PERMISSION.			