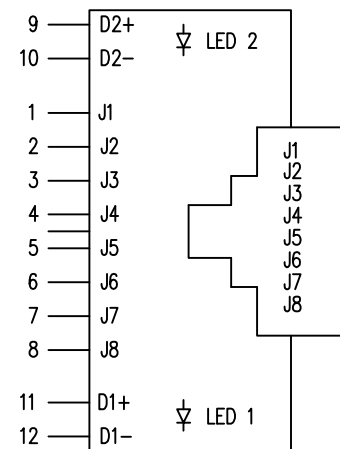
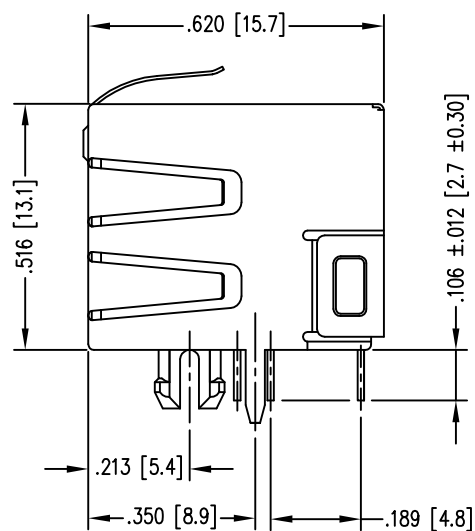
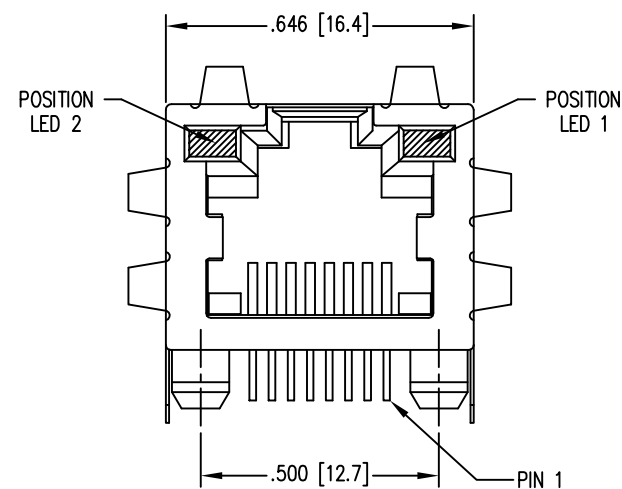


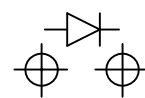
DATE	REV	ECN	APP'D. BY
11-13-15	A15	10215	TRM
3-16-16	A16	10614	TRM



LED SPECIFICATIONS			
STANDARD LED	* FORWARD VOLTAGE (MAX)	* FORWARD VOLTAGE (TYP)	WAVELENGTH
GREEN DIFFUSED	2.6 V	2.25 V	565 nm
YELLOW DIFFUSED	2.5 V	2.1 V	590 nm
RED DIFFUSED	2.5 V	2.0 V	625 nm

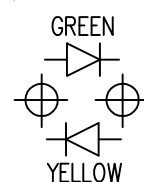
\* WITH A FORWARD CURRENT OF 20 mA

LED POLARITY  
(ENLARGED VIEW)



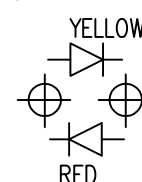
SINGLE COLOR LED

LED POLARITY  
(ENLARGED VIEW)



BI-COLOR LED

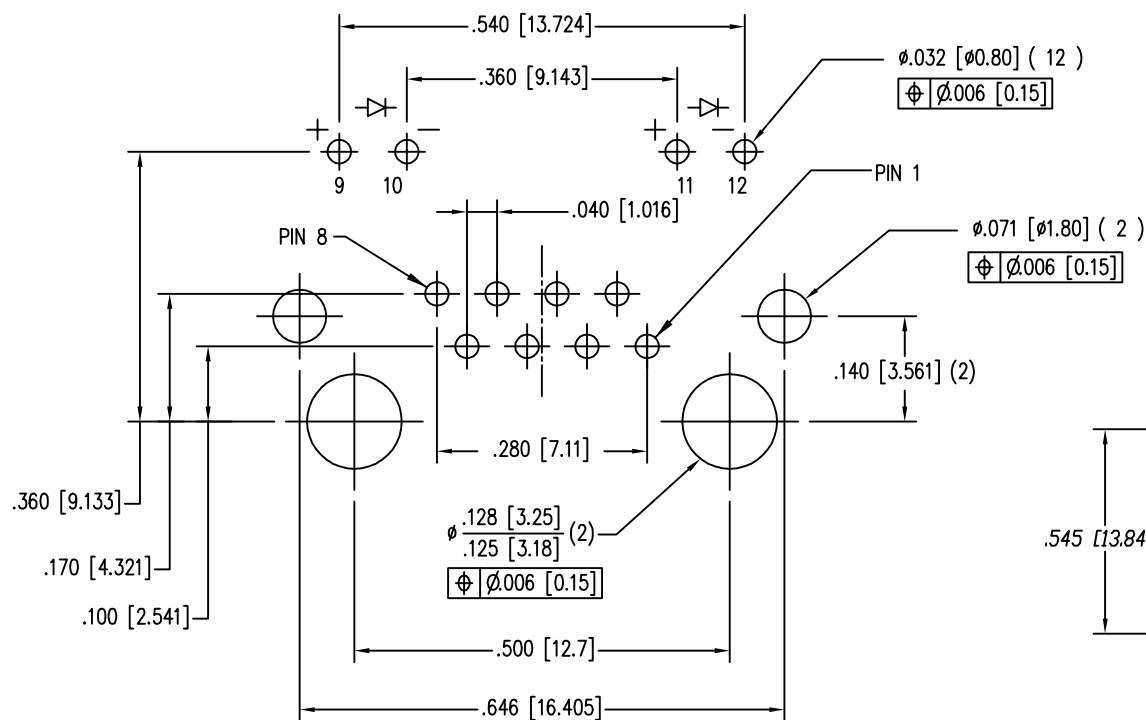
LED POLARITY  
(ENLARGED VIEW)



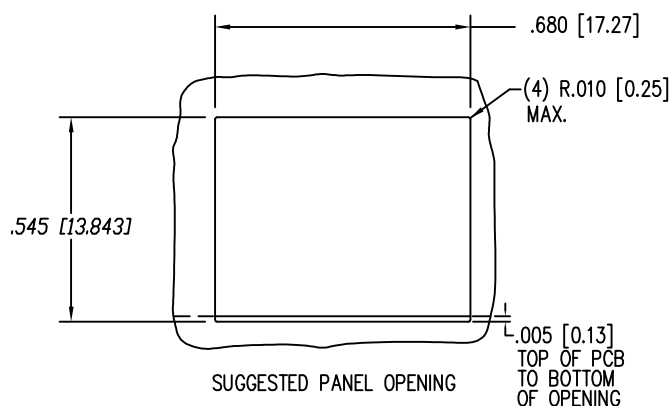
BI-COLOR LED

MATERIAL:

HOUSING: PBT+30%G.F. UL94V-0. STANDARD COLOR: BLACK  
 INSERT: PBT+30%G.F. UL94V-0. STANDARD COLOR: BLACK  
 LENS: PC UL94V-0. STANDARD COLOR: CLEAR  
 BACK: PBT+30%G.F. STANDARD COLOR: BLACK  
 LED 3.2 x 2.0 x 4.0 x P=2.29mm.  
 SHIELD: COPPER ALLOY 0.25mm THICKNESS.  
 CONTACT: 0.35mm (.014") THICKNESS, 50 MICRO INCH  
 SELECTIVE GOLD PLATING OVER  
 NICKEL PHOSPHOR BRONZE ALLOY.  
 FOR PRODUCT SPECIFICATION SEE PR022-01



P.C.B. RECOMMENDED HOLE LAYOUT  
 SEEN FROM COMPONENT SIDE  
 TOLERANCE ±.003 [0.08] UNLESS OTHERWISE SPECIFIED



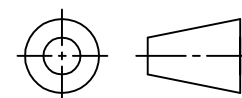
SUGGESTED PANEL OPENING

RoHS



GREEN/YELLOW	GREEN/YELLOW	SS-74401-011
GREEN	RED	SS-74401-008
YELLOW	GREEN	SS-74401-001
POSITION 2	POSITION 1	PART NUMBER
INDICATOR COLOR		

THIRD ANGLE PROJECTION



1118 Susquehanna Trail South  
 Glen Rock, PA 17327-9199  
 (717) 235-7512

http://www.stewartconnector.com

DO NOT SCALE DRAWING  
 DRAWING IS SUBJECT TO  
 CHANGE WITHOUT NOTICE

TITLE: MODULAR JACKS, EMI-RFI ONE PIECE SHIELDED, ESD GROUND  
 SINGLE PORT PCB, LED PAC

DIMENSIONS: INCHES [METRIC]  
 UNLESS OTHERWISE SPECIFIED  
 TOLERANCES ARE ±.005 [0.13]  
 ANGLES ARE ± 1°

THIS DRAWING AND THE SUBJECT MATTER SHOWN THEREON  
 ARE CONFIDENTIAL AND THE PROPRIETARY PROPERTY OF  
 STEWART CONNECTOR AND SHALL NOT BE REPRODUCED,  
 COPIED, OR USED IN ANY MANNER WITHOUT PRIOR WRITTEN  
 CONSENT OF STEWART CONNECTOR. ONE OR MORE U.S. PATENTS  
 MAY APPLY TO THIS PRODUCT. FOR DETAILS, PLEASE  
 VISIT: HTTP://BELFUSE.COM/STEWART/STEWART\_PATENTS/

DRN BY:	TRM	DATE	9-26-01
APPD BY:	RGC	DATE	9-26-01
DWG NO.	CT740080	REV.	A16

SHEET NO. 1 OF 1