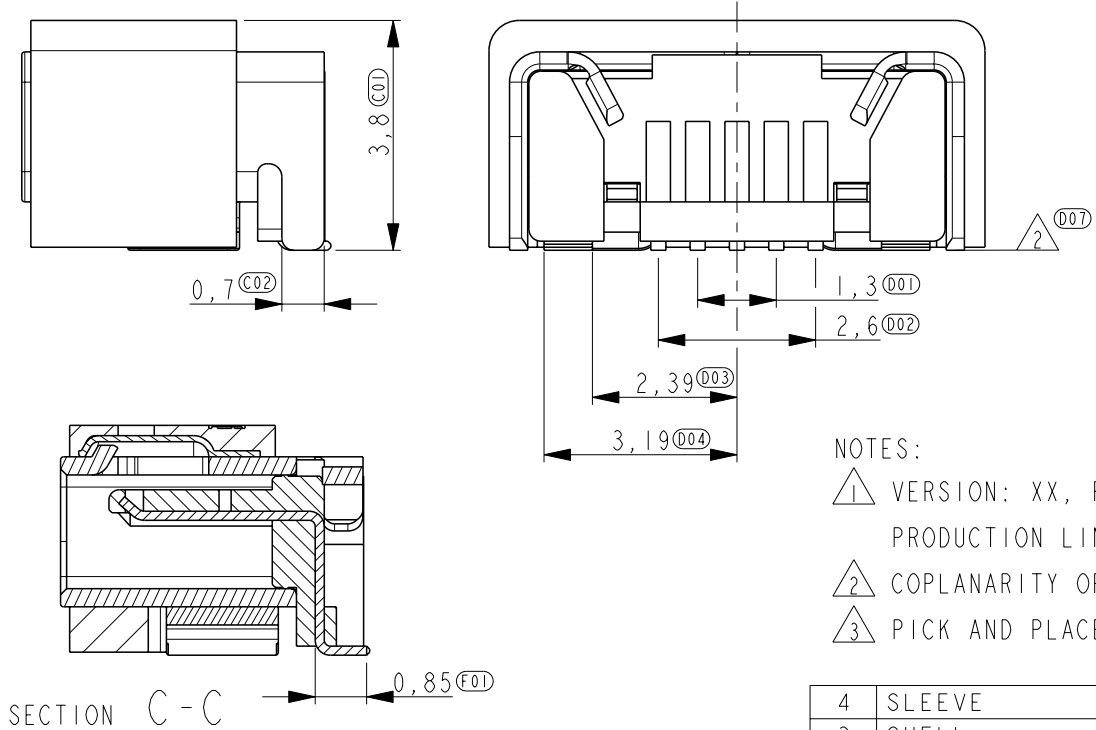
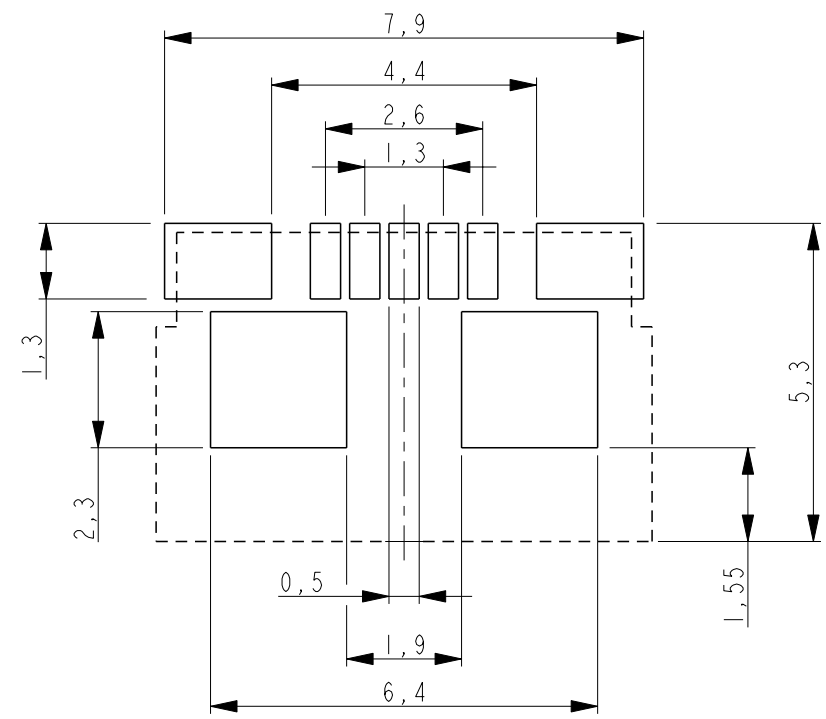
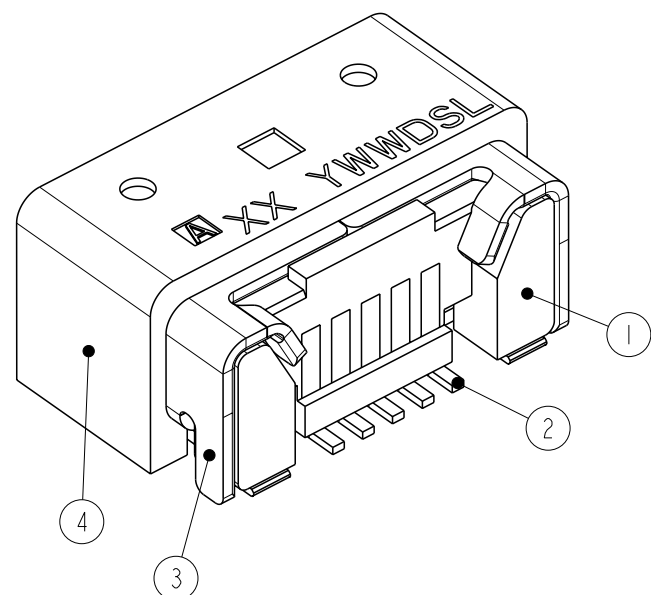
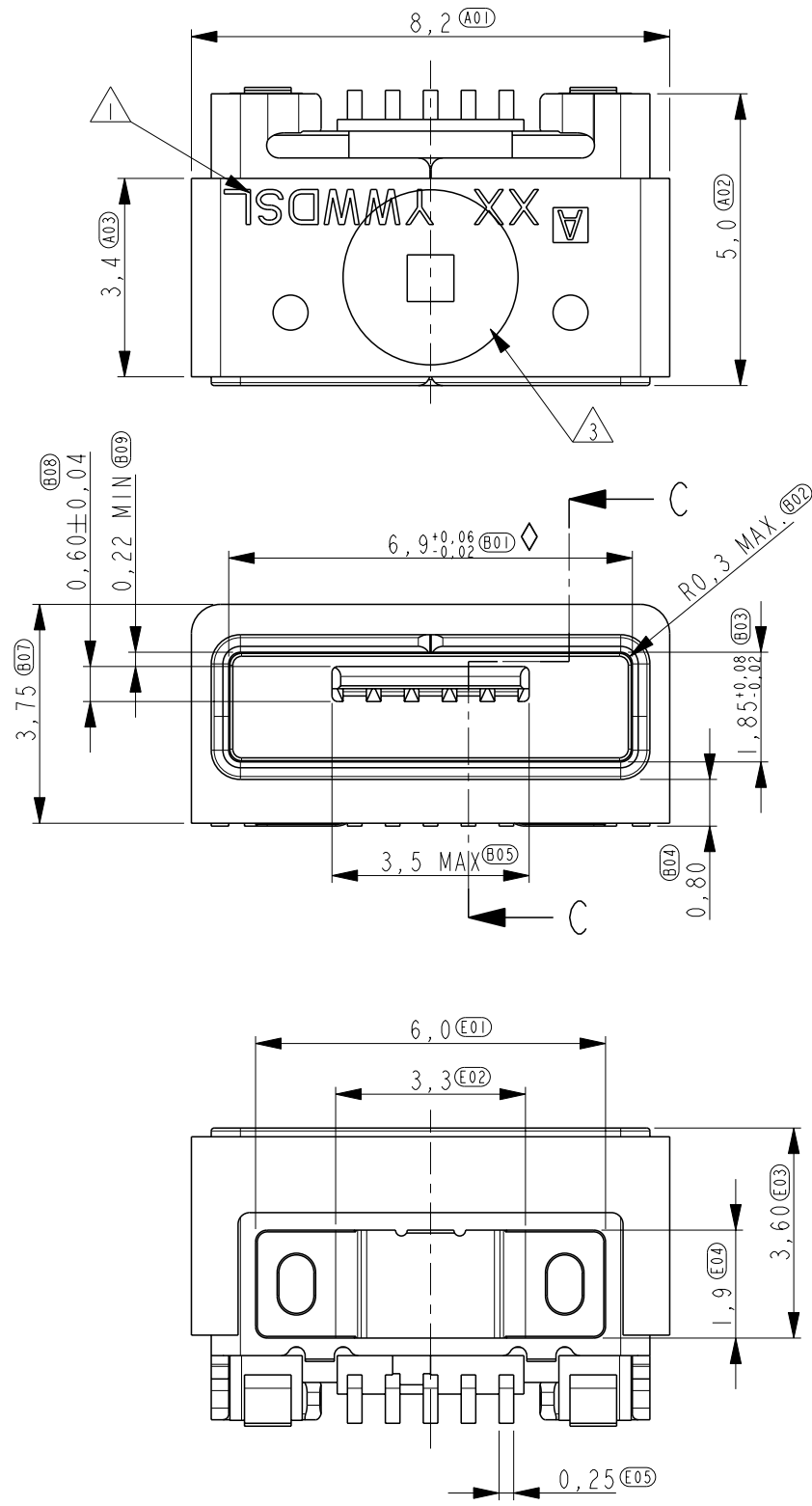


THIS DRAWING IS UNPUBLISHED. RELEASED FOR PUBLICATION 20
 © COPYRIGHT 20 BY - ALL RIGHTS RESERVED.

LOC		DIST		REVISIONS			
P	LTR	DESCRIPTION	DATE	DWN	APVD		
-	-	-	-	-	-		
	A	ECR-12-012496	11JUL2012	JvH	DH		
	B	ECR-12-014942	22AUG2012	WJ	DH		
	B1	ECR-12-015266	28AUG2012	WJ	DH		
	B2	ECR-13-013765	30AUG2013	JvH	DH		



NOTES:
 1 VERSION: XX, PRODUCTION DATE: YYWW, SHIFT CODE: S, PRODUCTION LINE NO: L.
 2 COPLANARITY OF 11 SOLDER SURFACES 0,08 MAX.
 3 PICK AND PLACE AREA Ø3

TE PN: 1551629-2
 TE PN FOR LOW MOQ: 1551629-3

ITEM NO.	DESCRIPTION	MATERIAL	FINISH
4	SLEEVE	LCP	
3	SHELL	STAINLESS STEEL	Tin over Nickel plating
2	CONTACT	COPPER ALLOY	Gold over Nickel plating
1	HOUSING	LCP	

THIS DRAWING IS A CONTROLLED DOCUMENT.

DIMENSIONS:	TOLERANCES UNLESS OTHERWISE SPECIFIED:
mm	
0 PLC	±0,2
1 PLC	±0,1
2 PLC	±0,1
3 PLC	±0,025
4 PLC	±0,001
ANGLES	±2°
MATERIAL	FINISH
-	-

DWN W. Jansen 04APR2010	TE Connectivity SPLASH-PROOF MICRO USB AB-TYPE 0,8 mm OFFSET	SIZE	CAGE CODE	DRAWING NO	RESTRICTED TO	
CHK W. Jansen 04APR2010		A3	00779	C=1551629	-	
APVD D. Halberstadt 04APR2010		WEIGHT	0,33 gr	SCALE	8:1	SHEET 1 OF 3
PRODUCT SPEC		-	-	-	REV B2	
APPLICATION SPEC	-	-	-	-	-	
Customer Drawing	-	-	-	-	-	

THIS DRAWING IS UNPUBLISHED.

RELEASED FOR PUBLICATION

20

© COPYRIGHT 20 BY -

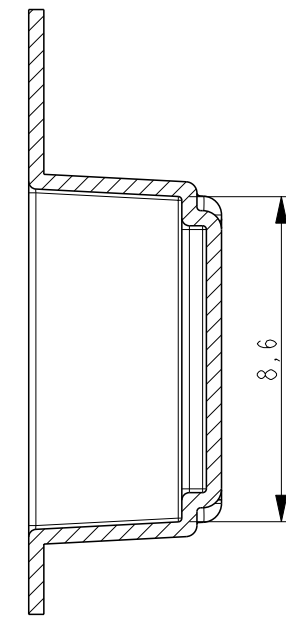
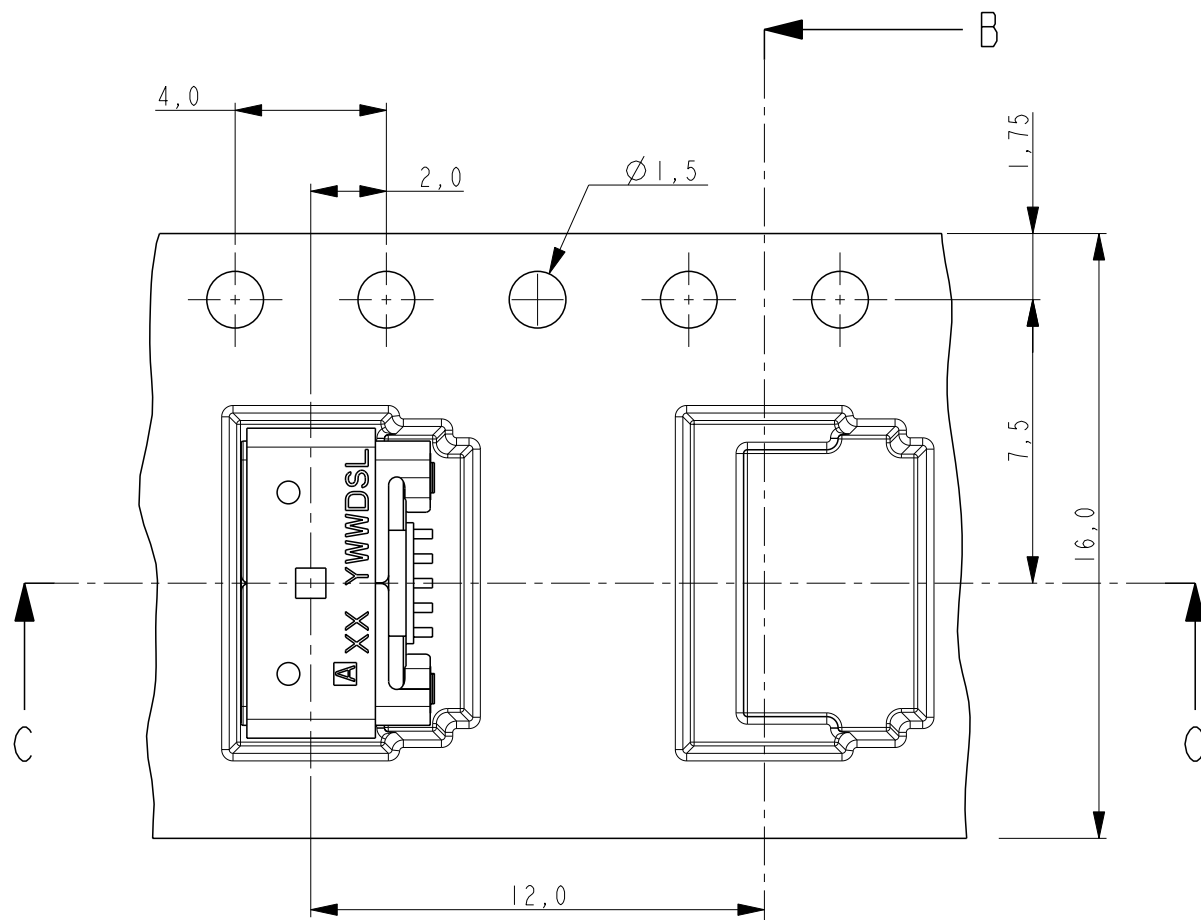
ALL RIGHTS RESERVED.

LOC -

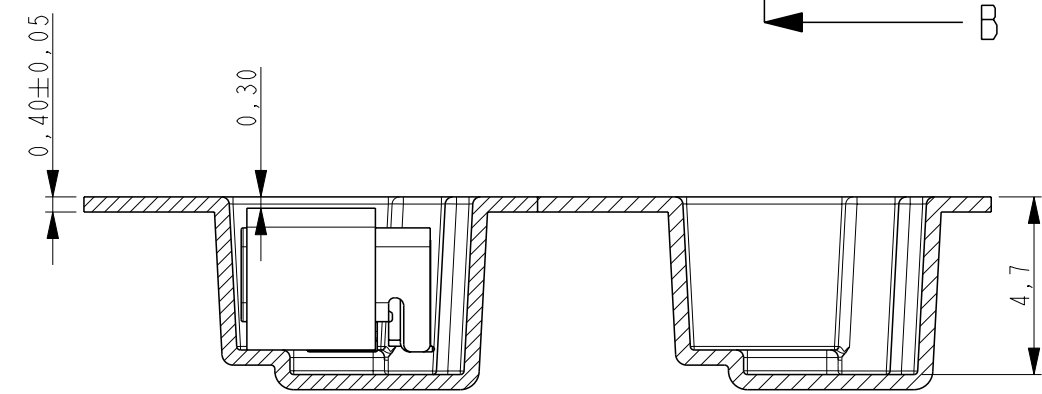
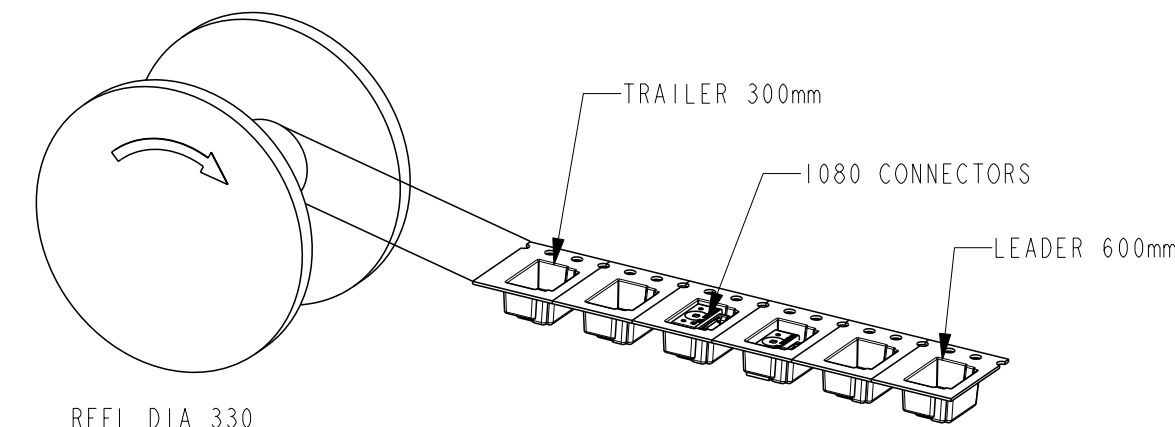
DIST -

REVISIONS

P	LTR	DESCRIPTION	DATE	DWN	APVD
-	-	SEE SHEET 1	-	-	-


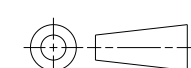


SECTION B-B



SECTION C-C

NOTES:
COVER, EMBOSS TAPE AND REEL ACCODING EIA STANDARD 481-D

THIS DRAWING IS A CONTROLLED DOCUMENT.		DWN W. Jansen	04APR2010	 TE Connectivity			
DIMENSIONS: mm		CHK W. Jansen	04APR2010				
		APVD D. Halberstadt	04APR2010				
TOLERANCES UNLESS OTHERWISE SPECIFIED:		PRODUCT SPEC	-				
0 PLC ±0,2 1 PLC ±0,1 2 PLC ±0,1 3 PLC ±0,025 4 PLC ±0,001 ANGLES ±2°		APPLICATION SPEC	-	NAME SPLASH-PROOF MICRO USB AB-TYPE 0,8 mm OFFSET			
MATERIAL -		FINISH -	WEIGHT 0,33 gr	SIZE A3	CAGE CODE 00779	DRAWING NO C=1551629	RESTRICTED TO -
Customer Drawing				SCALE 8:1	SHEET 2 OF 3	REV B2	

THIS DRAWING IS UNPUBLISHED.

RELEASED FOR PUBLICATION

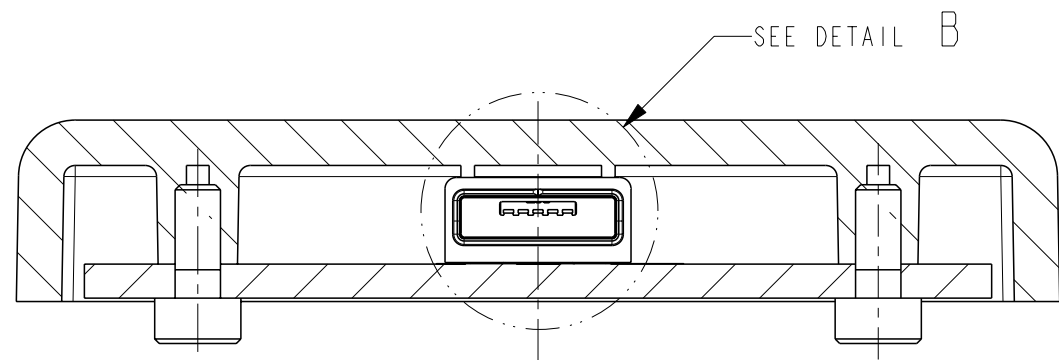
20

© COPYRIGHT 20 BY -

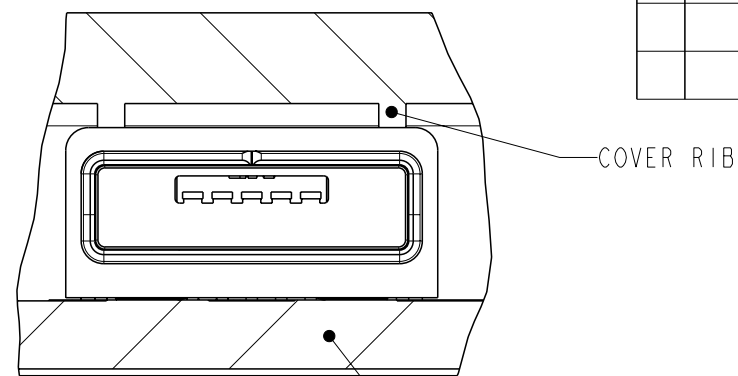
ALL RIGHTS RESERVED.

LOC	DIST
-	-

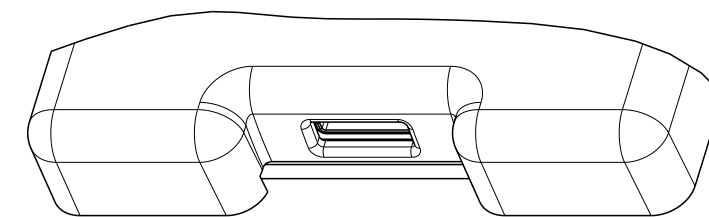
REVISIONS					
P	LTR	DESCRIPTION	DATE	DWN	APVD
-	-	SEE SHEET 1	-	-	-



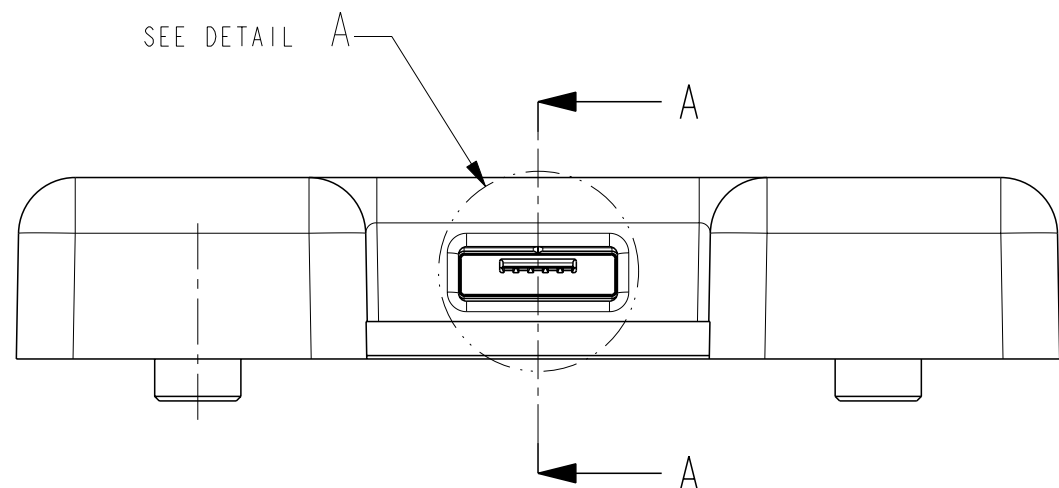
SECTION D-D



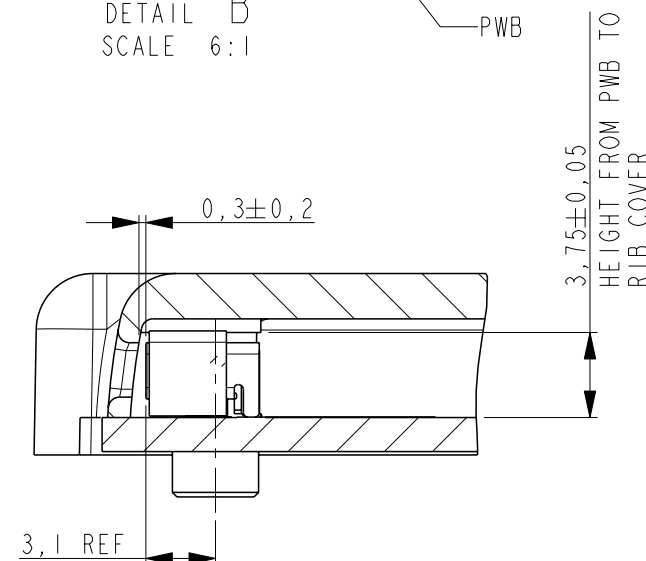
DETAIL B
SCALE 6:1



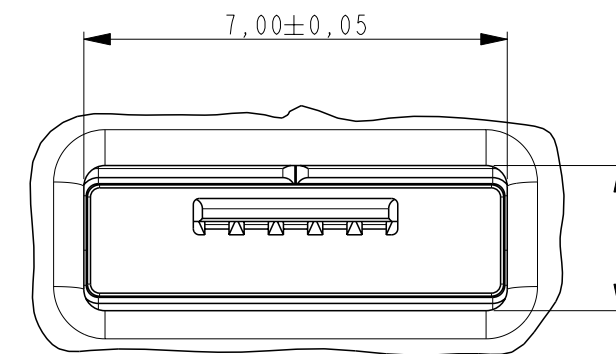
SCALE 2:1



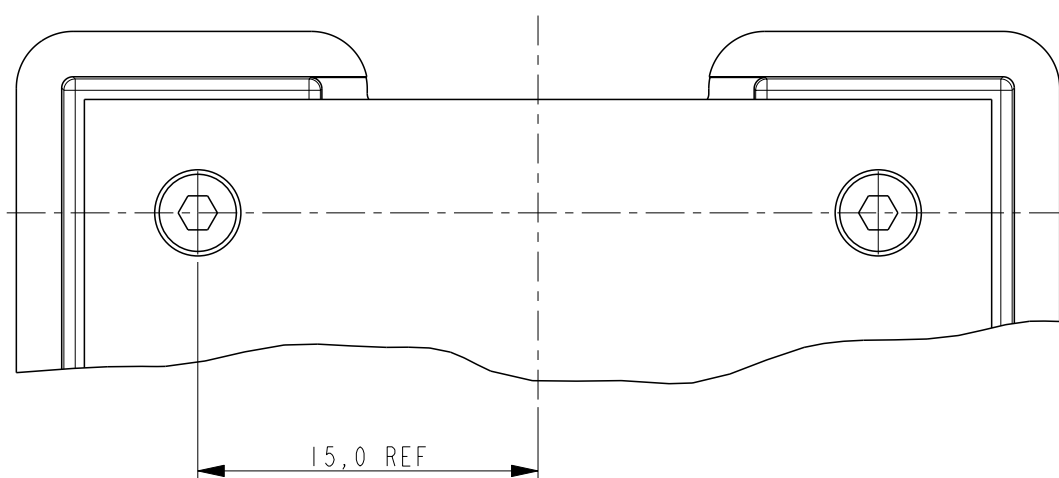
SEE DETAIL A



SECTION A-A



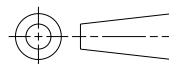
RECOMMENDED COVER HOLE SHAPE
DETAIL A
SCALE 8:1



RECOMMENDED PWB AND COVER ASSEMBLY

THIS DRAWING IS A CONTROLLED DOCUMENT.

DIMENSIONS:
mm



TOLERANCES UNLESS OTHERWISE SPECIFIED:	
0 PLC	±0,2
1 PLC	±0,1
2 PLC	±0,1
3 PLC	±0,025
4 PLC	±0,001
ANGLES	±2°
FINISH	-

MATERIAL

-

DWN 04APR2010

W. Jansen

CHK 04APR2010

W. Jansen

APVD 04APR2010

D. Halberstadt

PRODUCT SPEC

-

APPLICATION SPEC

-

WEIGHT

0,33 gr

Customer Drawing

NAME

SPLASH-PROOF MICRO USB
AB-TYPE
0,8 mm OFFSET

SIZE

A3

CAGE CODE

00779

DRAWING NO

RESTRICTED TO

SCALE

8:1

SHEET

3 OF 3

REV B2