

NOTES:

1 MATERIAL:

- 1-1 TERMINAL : BERYLLIUM COPPER, THICKNESS 0.20MM
- 1-2 HOUSING : HIGH TEMPERATURE THERMAL PLASTIC
- 1-3 FITTING NAIL: BRASS, THICKNESS 0.20MM

2 FINISH: 2-1 TERMINAL :

- 50~200μm NICKEL UNDER PLATED
- 30μm MIN GOLD PLATING ON CONTACT AREA
- 3μm MIN GOLD FLASH ON SOLDERING AREA

2-2 FITTING NAIL :

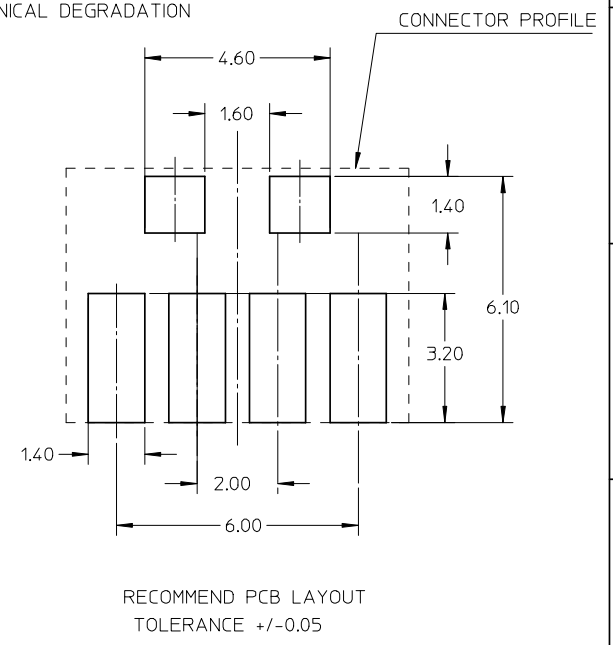
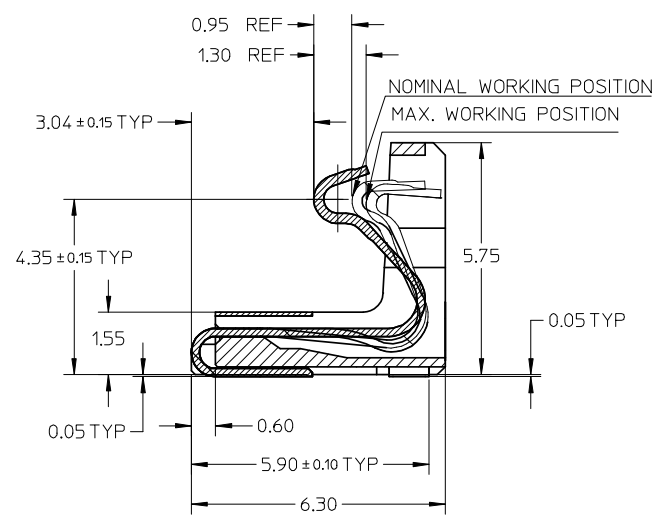
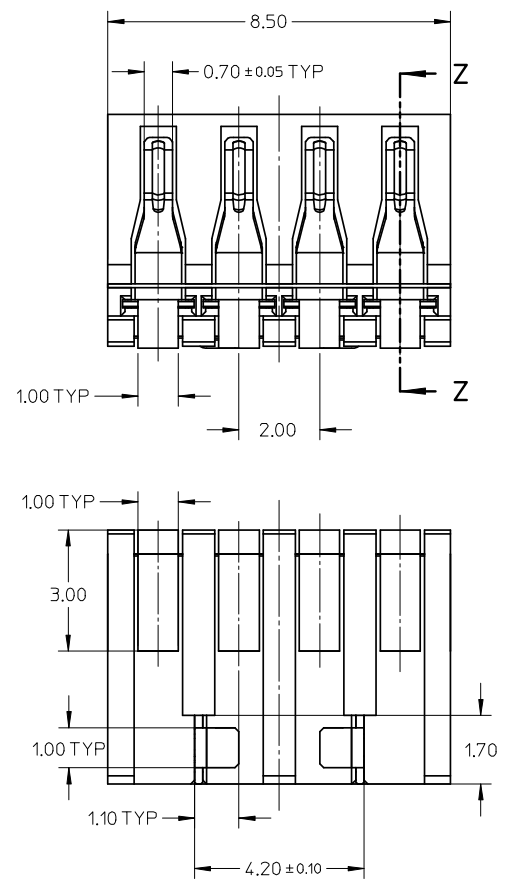
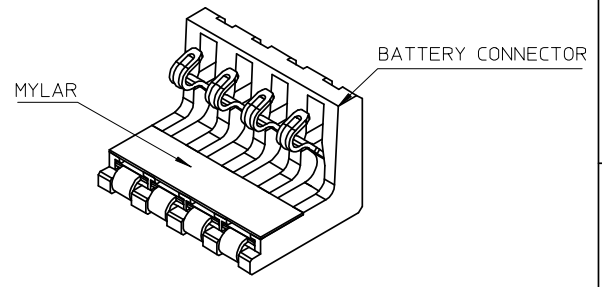
- 50~200μm NICKEL UNDER PLATED
- 100~200μm TIN PLATED ON SOLDERING AREA

3 MECHANICAL SPECIFICATION

NORMAL FORCE: 75g MIN. AT 0.65mm DEFLECTION.  
135±25g AT NOMINAL WORKING POSITION.  
200g MAX. AT 1.25mm DEFLECTION.

MATING CYCLES : 10,000 TIMES WITHOUT ELECTRICAL OR MECHANICAL DEGRADATION

4. COMPLIANT TO RoHS DIRECTIVE 2002/95/EC AND ELV 2000/53/EC



SECTION Z-Z

RELEASED EC NO: SH2008-0435 DRWN: MSH CHKD: YLZHU APPR: HWANG	2008/04/09 2008/04/11 2008/04/14	DESCRIPTION A	QUALITY SYMBOLS	GENERAL TOLERANCES (UNLESS SPECIFIED)	DIMENSION STYLE	SCALE	DESIGN UNITS	THIRD ANGLE PROJECTION	
			▽=0	mm INCH	MM ONLY	10:1	METRIC	⊙	
			∠=0	4 PLACES ± --- ± ---	DRAWN BY DATE	TITLE	2.0 MM PITCH 4 PINS BATTERY CONN SALES DRAWING		
				3 PLACES ± --- ± ---	CHECKED BY DATE	MOLEX INCORPORATED			
	2 PLACES ± 0.10 ± ---	APPROVED BY DATE	DOCUMENT NO. SHEET NO.						
	1 PLACE ± 0.15 ± ---	HWANG 2008/2/28	475750001 SD-47575-001 1 OF 1						
	ANGULAR ± 3 °		DRAFT WHERE APPLICABLE MUST REMAIN WITHIN DIMENSIONS						
			THIS DRAWING CONTAINS INFORMATION THAT IS PROPRIETARY TO MOLEX INCORPORATED AND SHOULD NOT BE USED WITHOUT WRITTEN PERMISSION						