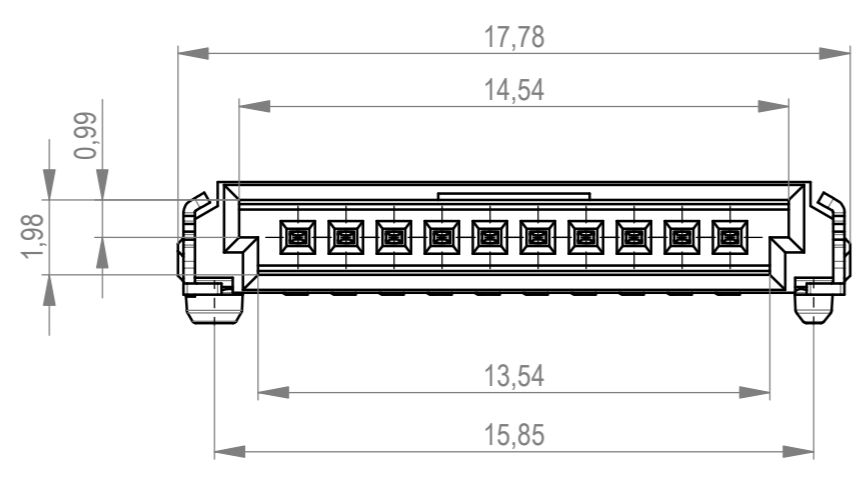
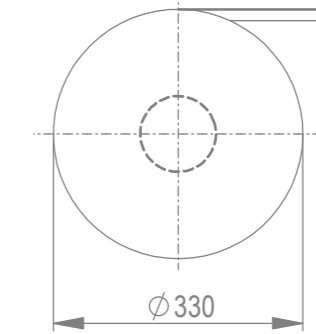
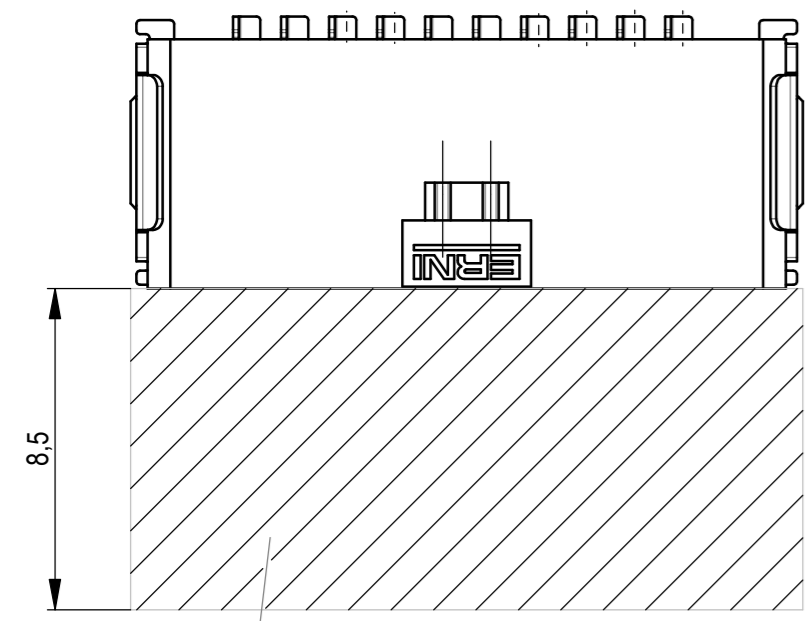
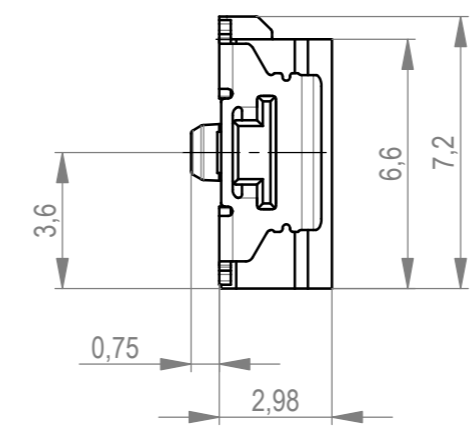
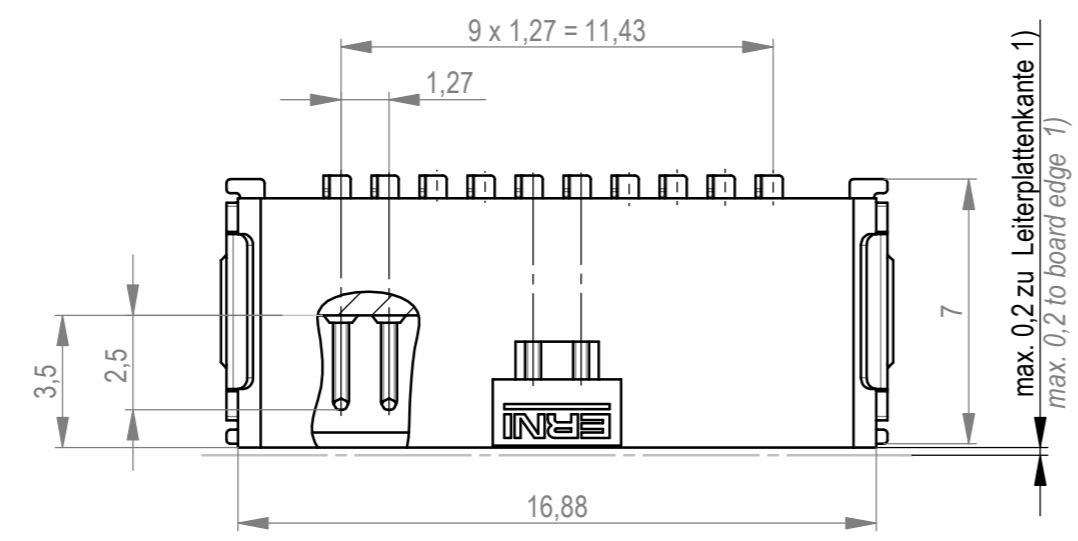
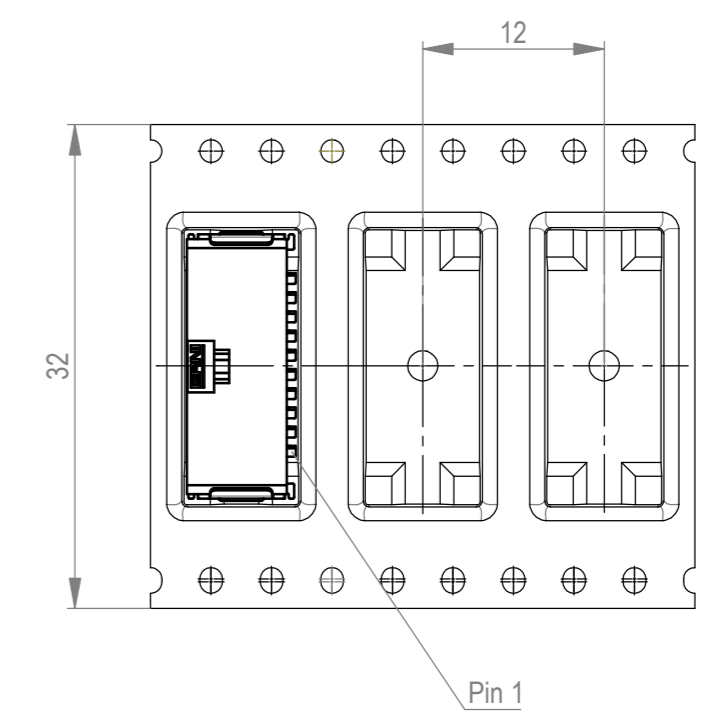


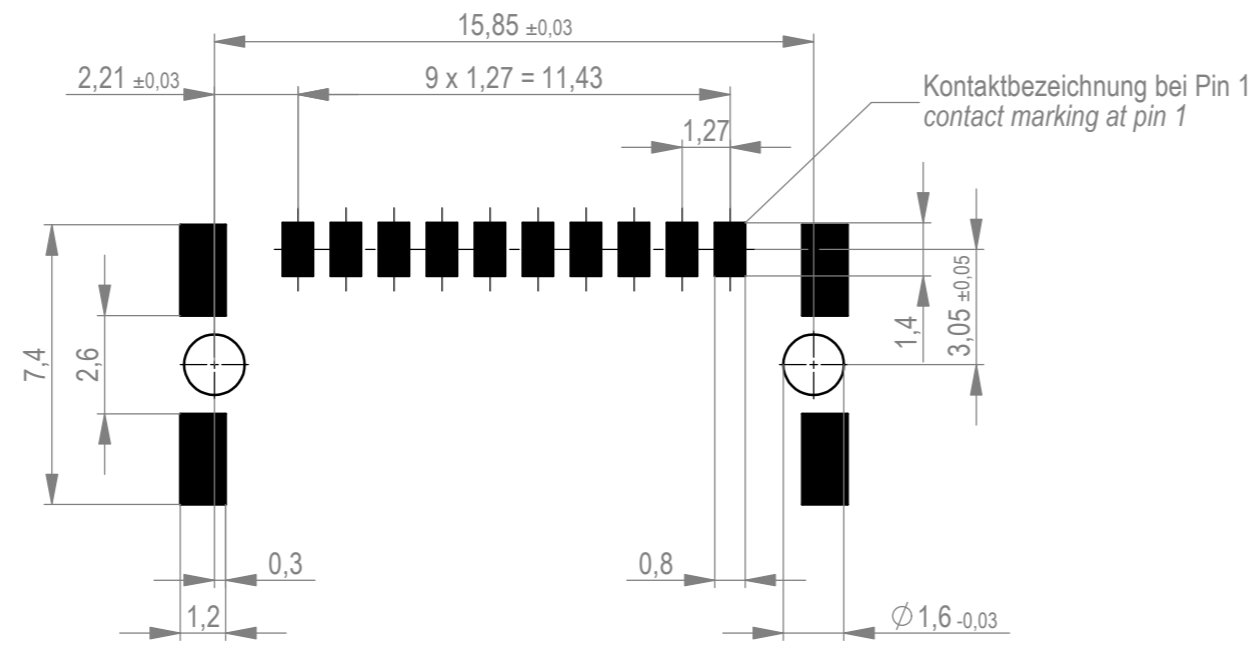
Verpackt im Gurt in Anlehnung an DIN IEC 60286-3
tape on reel packaging according to DIN IEC 60286-3
Verpackungseinheit: 1000 Stück
packaging unit: 1000 pcs



Abspulrichtung - reel off direction →



Leiterplatten-Layout für SMT
PCB-Layout for SMT



Sperrfläche für Leiterbahnen
gültig bei Verwendung von
Gegenstecker Federleiste 90°
in SKV Ausführung
Restricted area for conductors
valid for use by mating
female connector 90°
in IDC version

Anforderungsstufe 1
performance level 1
Kontaktbereich vergoldet
mating area gold plating
Anschlussbereich verzinkt 4-6 µm
terminal area 4-6 µm tin plating
Koplanarität der Anschlüsse ≤ 0,1 mm
coplanarity area of termination ≤ 0,1 mm
1) gültig bei Verwendung von Gegenstecker Federleiste 90° in SMD Ausführung
valid for use by mating female connector 90° in SMT version

Weder die deutsche Version dieser Zeichnung dient zur Erleichterung der
Handlung. Bei Abweichungen vom englischen Original gilt das
englische Original. In case of any deviation from the English version, the English version shall prevail.
The English version of this drawing has been created for convenience only
and may deviate from the original.
In case of any deviation from the English version, the English version shall prevail.
All rights reserved. All rights reserved in the event of the grant of a patent, utility model or design
payment of damages. All rights reserved in the event of the grant of a patent, utility model or design.

Dimension no.	Tolerances Dim. for Information ISO 8015	All Dimensions in mm	Scale Material 5:1
Customer drawing: All rights reserved. Only for Information. To ensure that this is the latest version of this drawing, please contact one of the ERNI companies before using.	Subject to modification without prior notice. Drawing will not be updated.		MiniBridge Male Angeled SMT 10p 234464
f Index	10.03.2021 Date		ERNI International AG Zürichstrasse 72 8306 Brüttisellen - Zürich Switzerland
Class			SRCA