

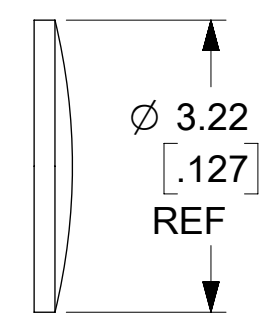
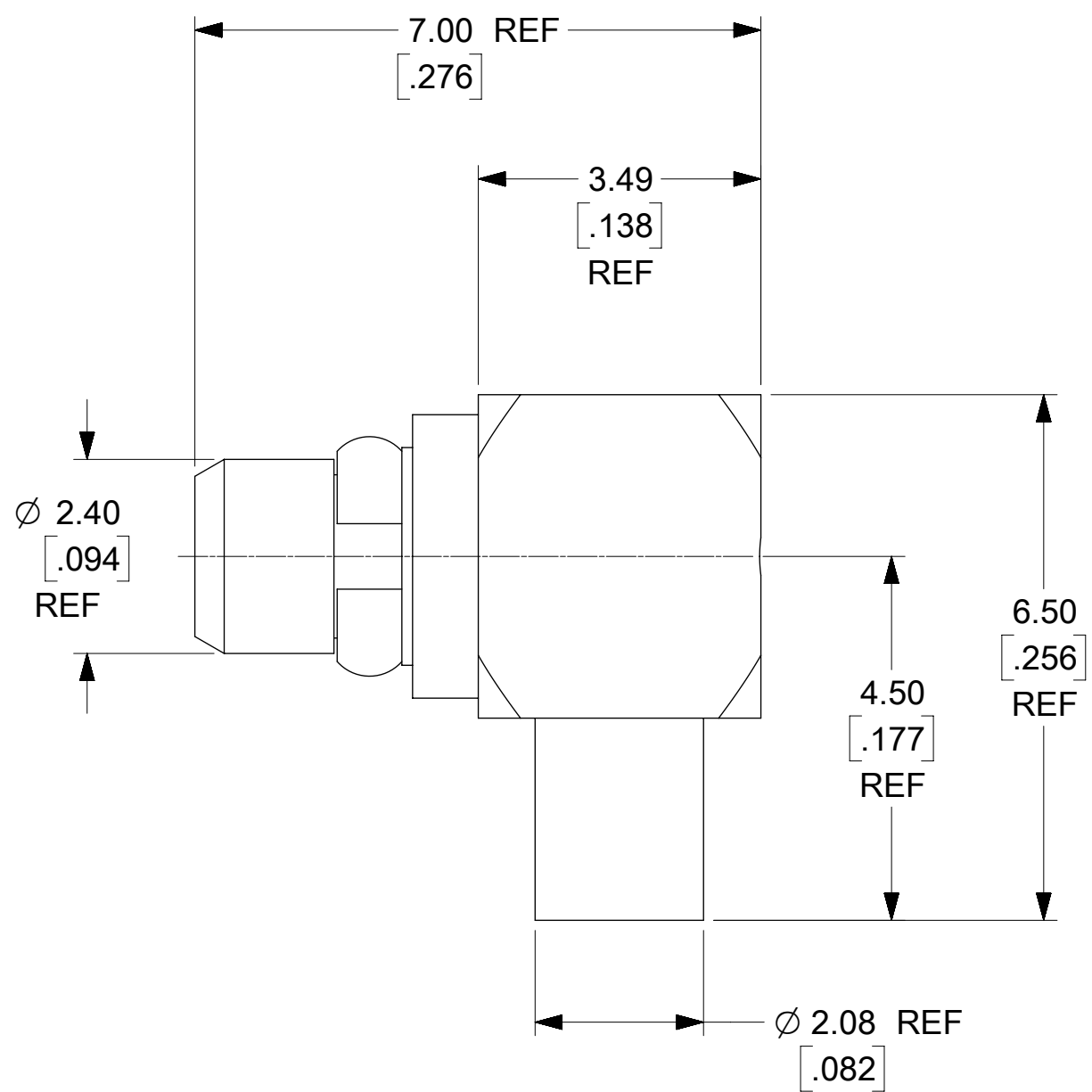
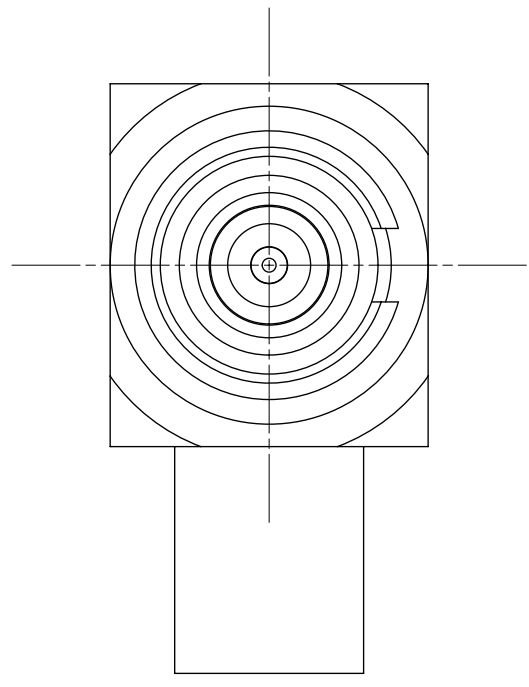
MATERIALS AND FINISHES:

BODY, CAP: BRASS
PLATED: SEE TABLE

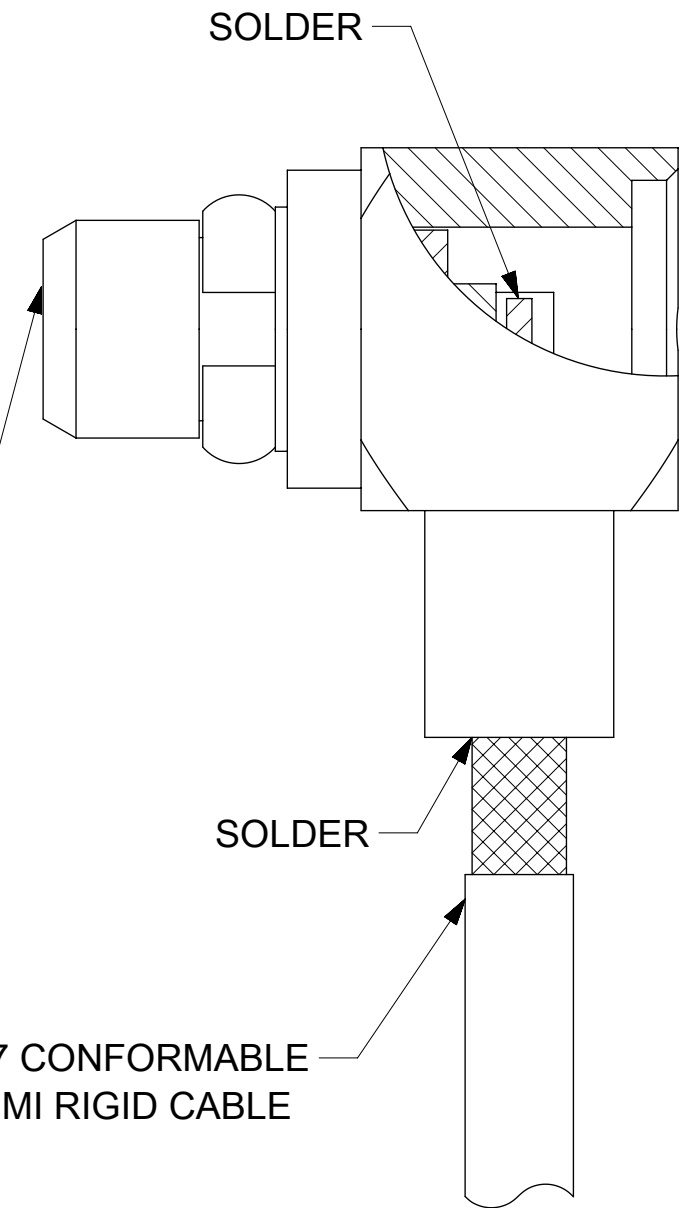
CENTER CONTACT: BRASS
PLATED: SEE TABLE

SNAP RING: BERYLLIUM COPPER
PLATED: SEE TABLE

INSULATOR: PTFE



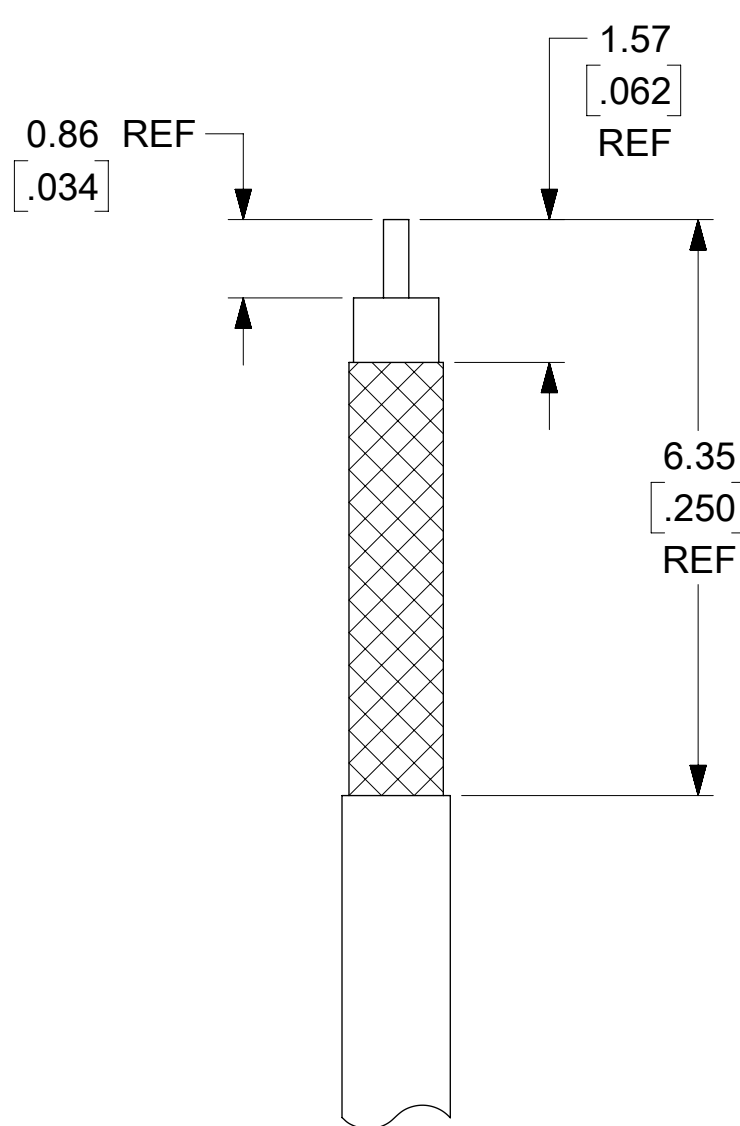
MMCX PLUG INTERFACE



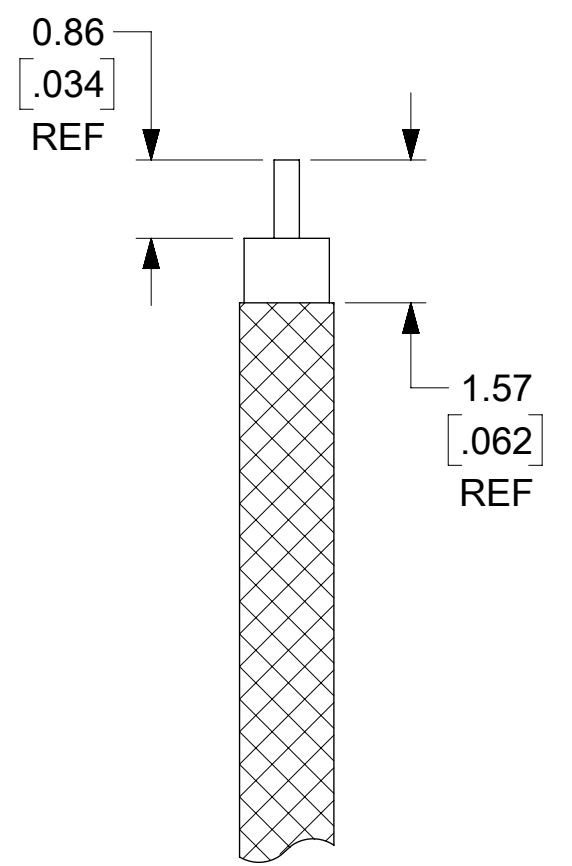
SOLDER

SOLDER

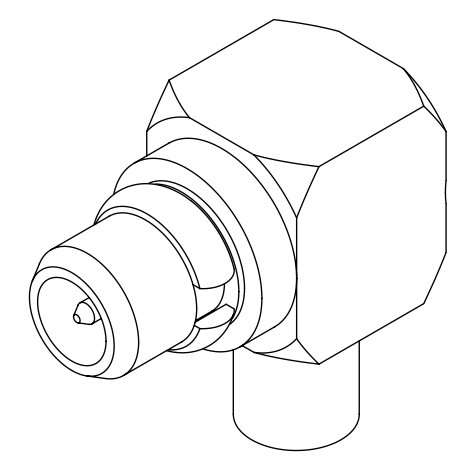
Ø0.047 CONFORMABLE OR SEMI RIGID CABLE



CABLE STRIP DIMENSIONS FOR JACKETED CABLES



CABLE STRIP DIMENSIONS FOR NON-JACKETED CABLES



73415-2151	GOLD (1µ-in MIN) OVER NICKEL (50µ-in MIN)	GOLD (30µ-in MIN) OVER NICKEL (50µ-in MIN)	GOLD (1µ-in MIN) OVER NICKEL (50µ-in MIN)
73415-2150	GOLD (30µ-in MIN) OVER NICKEL (100µ-in MIN)	GOLD (50µ-in MIN) OVER NICKEL (100µ-in MIN)	GOLD (50µ-in MIN) OVER NICKEL (100µ-in MIN)
PART NO.	BODY, SNAP RING	CONTACT	CAP
	FINISHES		

73415-2152	73415-2151, ONE PER BAG
73415-2151	BULK
73415-2150	BULK
PART NO.	PACKAGING

AS-89675-5070	CABLE ASSY INSTRUCTION
IEC-61169-52	INTERFACE
PS-89675-1920	PRODUCT SPECIFICATION
SPECIFICATION	DESCRIPTION

THIS DRAWING CONTAINS INFORMATION THAT IS PROPRIETARY TO MOLEX ELECTRONIC TECHNOLOGIES, LLC AND SHOULD NOT BE USED WITHOUT WRITTEN PERMISSION

QUALITY SYMBOLS	2017/09/13 2017/09/13 2017/09/13	GENERAL TOLERANCES (UNLESS SPECIFIED)	DIMENSION UNITS	SCALE	molex
▽ = 0	SEE ECM	MM INCH	mm		
▽ = 0		4 PLACES ± ±	DRWN BY	DATE	
▽ = 0		3 PLACES ± ± 0.01	JWIENER	2010/12/16	
▽ = 0		2 PLACES ± 0.25 ±	CHK'D BY	DATE	
▽ = 0		1 PLACES ± ±	SSS	2010/12/16	
▽ = 0	0 PLACES ± ±	ANGULAR TOL = 2.0	APPR BY	DATE	
☒ = 0	EC NO: 120304	DRIFT WHERE APPLICABLE MUST REMAIN WITHIN DIMENSIONS	JWIENER	2010/12/17	
■ = 0	DRWN: BBHARADWAJ		DRWING SIZE	THIRD ANGLE PROJECTION	
▽ = 0	CHKD: BBHARADWAJ		C		
▽ = 0	APP: AROBERTSON				
	A3				

SERIES	MATERIAL NUMBER	CUSTOMER
73415	SEE TABLE	
DOCUMENT NUMBER	DOC TYPE	DOC PART
SD-73415-215	PSD	001
SHEET NUMBER	1 OF 1	