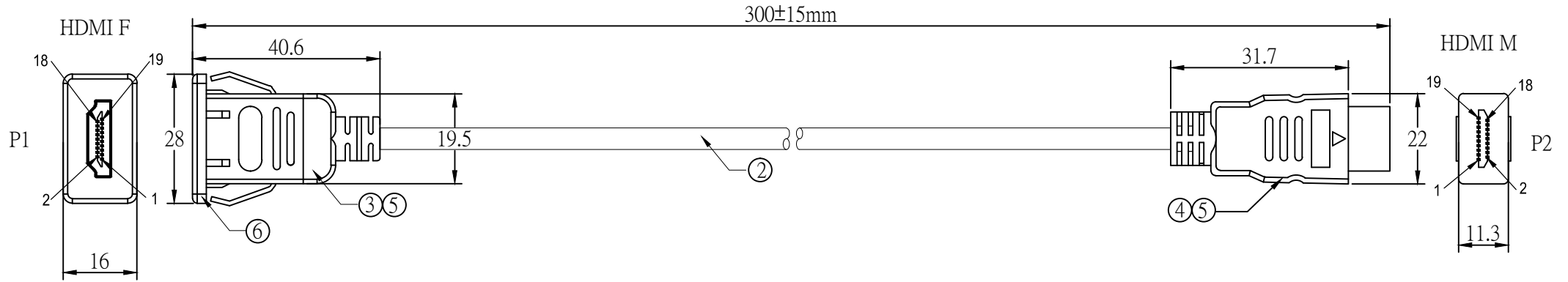
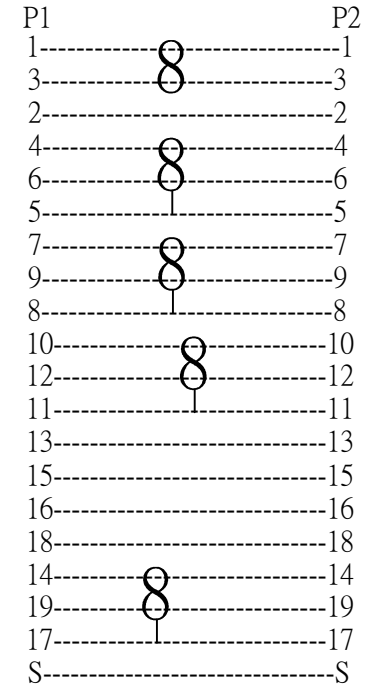


RoHS Compliant



OPEN/SHORT TEST: 100% TEST  
INSULATION: 5M.

PIN ASSIGNMENT



6	ABS BLACK.	10g
5	OVERMOLD BLACK PVC 45P MA-001.	25g
4	HDMI M BLACK INSULATOR SOLDER TYPE.	1PCS
3	HDMI F BLACK INSULATOR SOLDER TYPE.	1PCS
2	(28AWG*1P+EAM)*5+28AWG*4C+AB OD:7.3MM BLACK PVC JACKET UL20276 1.4V .	1PCS
1	Description HDMI Snap-In Extend.	Q'ty

Company	Adafruit	Goods Code	Draw	Date	2018.12.05
ITEM NO.	HDMI M-F-30cm	Drawing Evidence:	Check	Date	
Goods NO.	C11605-001		Approval	L.Fried	Date
Original NO.	Unit(mm)		Audit	Date	

Premier Cable

D		
C		
B		
VER.	REVISE	Date