

## Microphone coupon board based on the MP23ABS1 analog MEMS



### Features

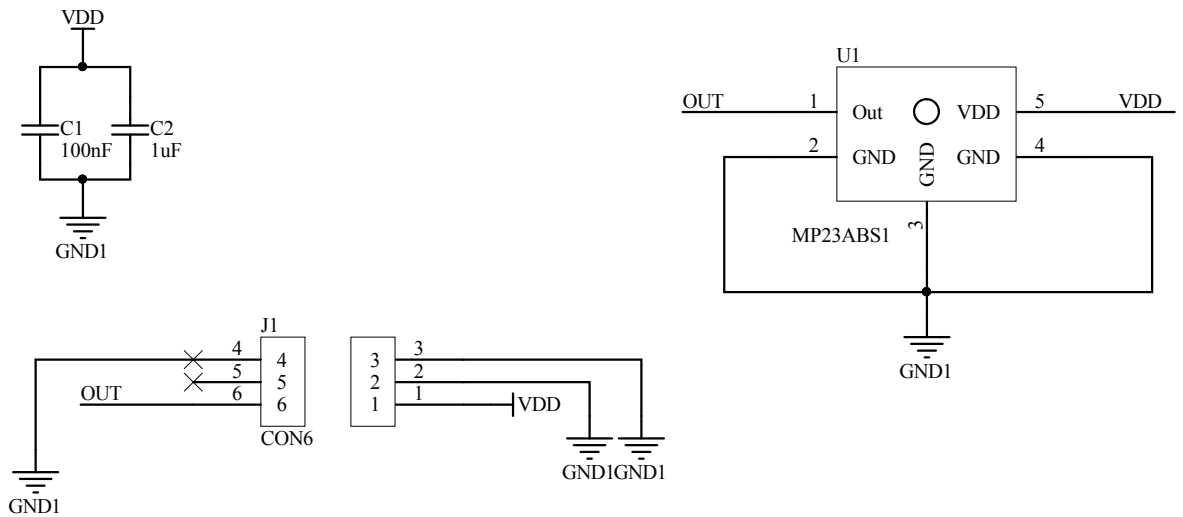
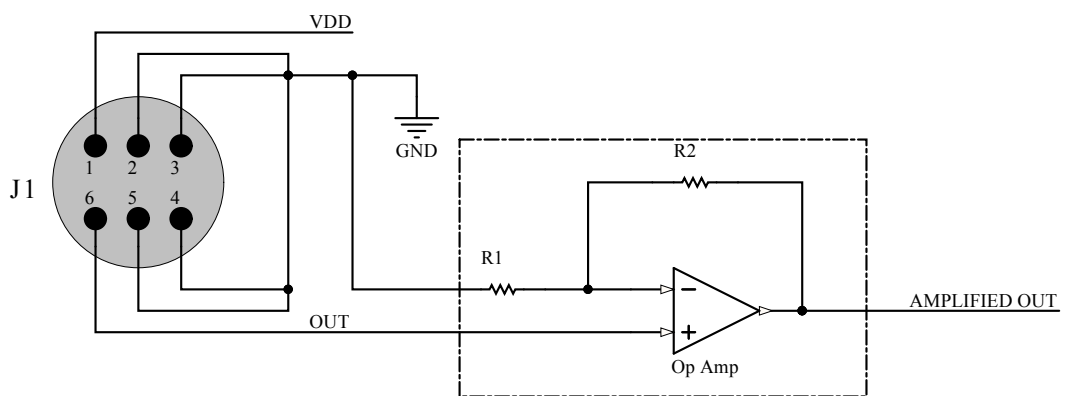
- 4 x MP23ABS1 bottom port analog MEMS microphones
- V<sub>supply</sub> from 1.52 to 3.6 V
- 130 dB SPL acoustic overload point
- Omnidirectional sensitivity
- Current consumption: 120  $\mu$ A
- 64 dB of SNR
- Sensitivity -38 dBV  $\pm$ 1 dB
- WEEE compliant
- RoHS compliant

### Description

The **STEVAL-MIC004V1** is a daughterboard containing 4 **MP23ABS1** analog MEMS microphones. The coupon concept allows easy performance testing of ST MEMS microphones. It is possible to detach the single PCBs hosting each microphone.

Summary table	
Microphone coupon board based on the MP23ABS1 analog MEMS	STEVAL-MIC004V1
High performance MEMS audio sensor single ended analog bottom-port microphone	MP23ABS1

# 1 Schematic

**Figure 1. STEVAL-MIC004V1 board schematic**

**Figure 2. STEVAL-MIC004V1\_example of external electrical connections**


## Revision history

**Table 1. Document revision history**

Date	Version	Changes
12-Nov-2018	1	Initial release.

**IMPORTANT NOTICE – PLEASE READ CAREFULLY**

STMicroelectronics NV and its subsidiaries (“ST”) reserve the right to make changes, corrections, enhancements, modifications, and improvements to ST products and/or to this document at any time without notice. Purchasers should obtain the latest relevant information on ST products before placing orders. ST products are sold pursuant to ST’s terms and conditions of sale in place at the time of order acknowledgement.

Purchasers are solely responsible for the choice, selection, and use of ST products and ST assumes no liability for application assistance or the design of Purchasers’ products.

No license, express or implied, to any intellectual property right is granted by ST herein.

Resale of ST products with provisions different from the information set forth herein shall void any warranty granted by ST for such product.

ST and the ST logo are trademarks of ST. All other product or service names are the property of their respective owners.

Information in this document supersedes and replaces information previously supplied in any prior versions of this document.

© 2018 STMicroelectronics – All rights reserved