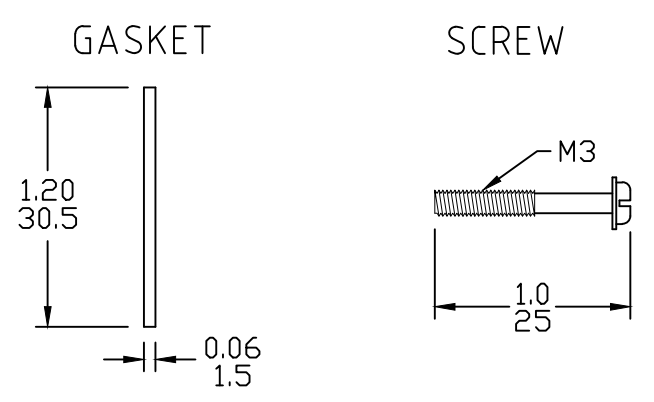


PART NUMBER	ENGINEERING NUMBER	FINISH LENGTH
1211810064	F130D5A23M010	3.28' [1M]
1211810065	F130D5A23M020	6.56' [2M]
1211810066	F130D5A23M030	9.84' [3M]

DIN ACCESSORIES



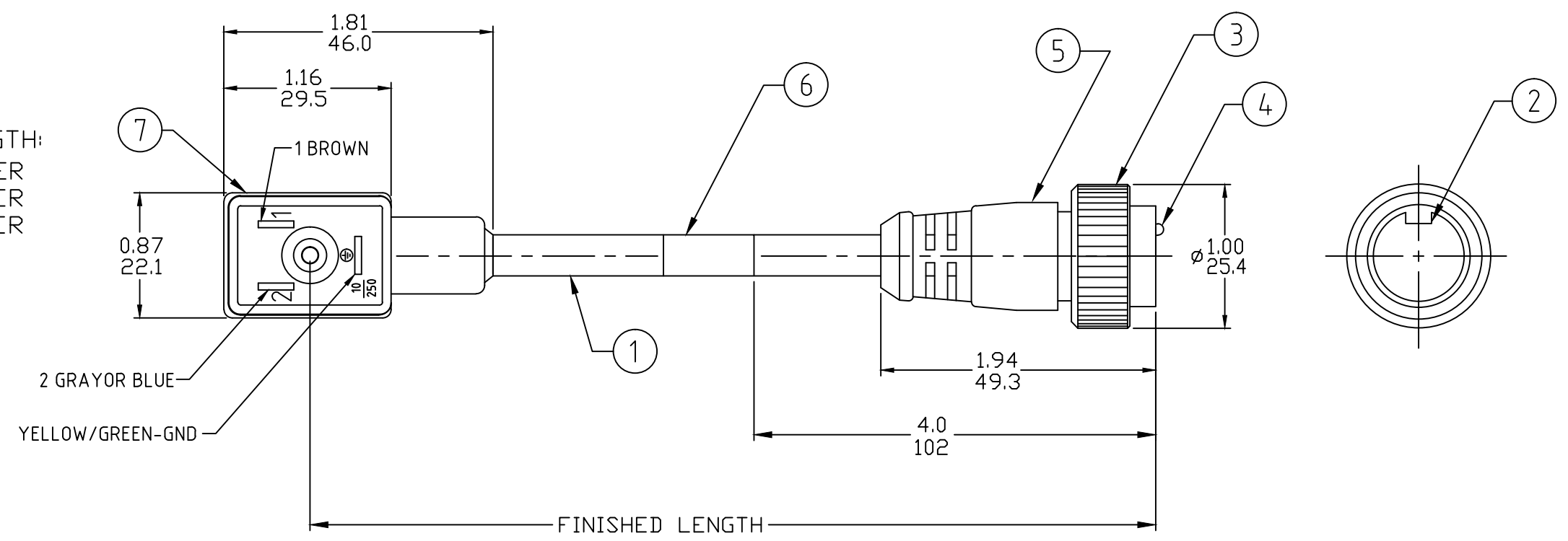
CABLE LENGTH TOLERANCES

>.3M [1FT]:	+19mm-0 [+ .75in-0]
.3 - .9M [1 - 3FT]:	+44.5mm-0 [+1.75in-0]
.9 - 1.8M [3 - 6FT]:	+55.6mm-0 [+2.19in-0]
1.8 - 3.7M [6 - 12FT]:	+88.9mm-0 [+3.50in-0]
3.7 - 7.3M [12 - 24FT]:	+165.1mm-0 [+6.50in-0]
7.3-14.6M [24 - 48FT]:	+317.5mm-0 [+12.50in-0]
14.6 - 30.5M [48-100FT]:	+622.3mm-0 [+24.50in-0]
OVER 30M [100FT]	+2% OF FINISHED LENGTH

PART NUMBER LEGEND

F130D5A23M010

FINISHED LENGTH:  
M005= 0.5 METER  
M010= 1.0 METER  
M100= 10 METER



- NOTES:
- MATERIAL: AS NOTED
  - FINISH: AS NOTED
  - ELECTRICAL:  
VOLTAGE: 115V, 5 AMPS
  - TEMP RATING: -25°TO +75°C
  - PROTECTION: IP65 (WHEN MATED)
  - COUPLING THREAD: 7/8-16UN
  - ALL DIMS ARE FOR REFERENCE UNLESS NOTED OTHERWISE

ITEM	DESCRIPTION	MATERIAL	FINISH
7	DIN CONNECTOR	PVC	BLACK
6	WRAP LABEL	VINYL	BLACK/YELLOW
5	OVERMOLD	PVC	YELLOW
4	CONTACT PIN	COPPER ALLOY	GOLD PLATED
3	COUPLING, FEMALE	ZINC DIE-CAST	BLACK
2	MALE INSERT (A-SIZE)	PVC	YELLOW
1	CABLE 3X0.75MM <sup>2</sup>	PVC JACKET	BLACK

RELEASE DRAWING EC NO: IPG2019-0407 DRWN: JCAPPOZZ 2019/02/21 CHKD: RSTONE 2019-02-21 APPR: BWOODMAN 2019/03/12	DESCRIPTION REV	QUALITY SYMBOLS	GENERAL TOLERANCES (UNLESS SPECIFIED) mm INCH 4 PLACES ±--- ±--- 3 PLACES ±--- ±.005 2 PLACES ±--- ±.01 1 PLACE ±--- ±--- ANGULAR ±1/2° DRAFT WHERE APPLICABLE MUST REMAIN WITHIN DIMENSIONS	DIMENSION STYLE	SCALE NTS DESIGN UNITS INCH THIRD ANGLE PROJECTION	DRAWN BY DATE JCAPPOZZ 2019/02/21 CHECKED BY DATE RSTONE 2019/02/21 APPROVED BY DATE BWOODMAN 2019/03/12 MATERIAL NO. SEE P/N CHART DOCUMENT NO. SD-121181-001 SHEET NO. 1 OF 1
		$\nabla=0$ $\sphericalangle=0$		IN/MM		
				TITLE DIN 11MM W/ MC 3P AC 18AWG CONNECTOR		
				MOLEX INCORPORATED		

THIS DRAWING CONTAINS INFORMATION THAT IS PROPRIETARY TO MOLEX INCORPORATED AND SHOULD NOT BE USED WITHOUT WRITTEN PERMISSION