

This document is the property of Amphenol Corporation and is delivered on the express condition that is not to be disclosed, reproduced or used, in whole or in part, for manufacture or sale by anyone other than Amphenol Corporation without its prior consent, and that no right is granted to disclose or to use any information in this document.

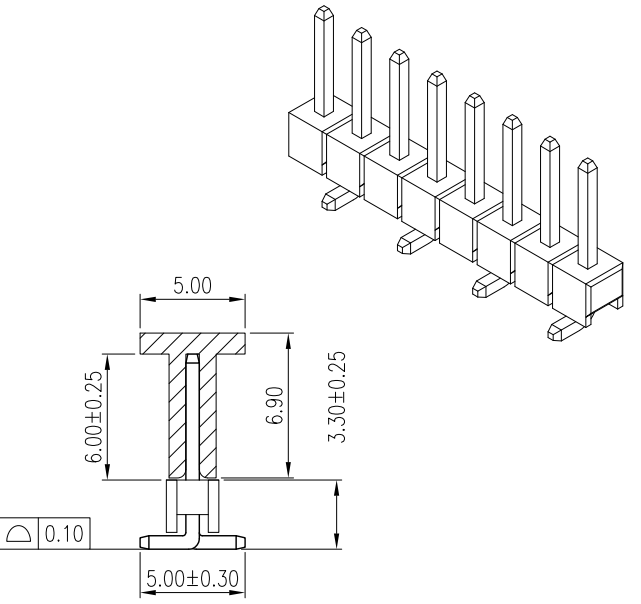
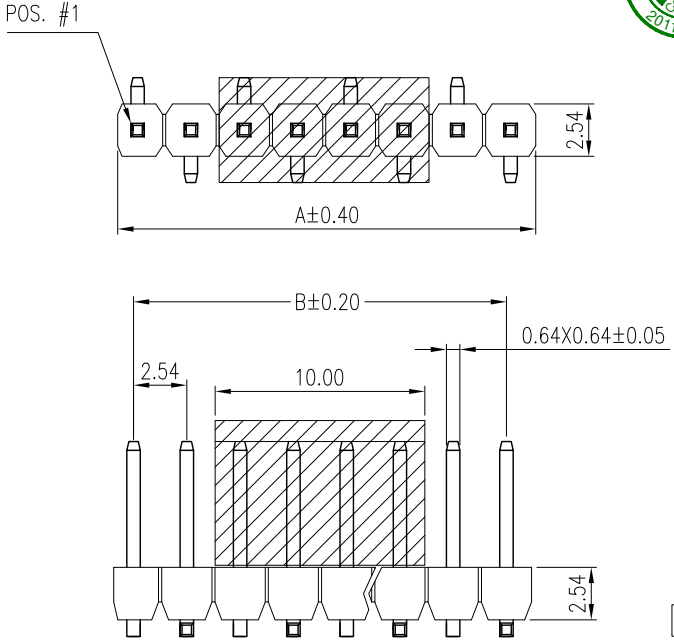
The marking on this product doesn't contain environmental hazardous materials per Material Specification SS-00259 for Sony GP compliant or per directive 2011/65/EU for RoHS compliant.



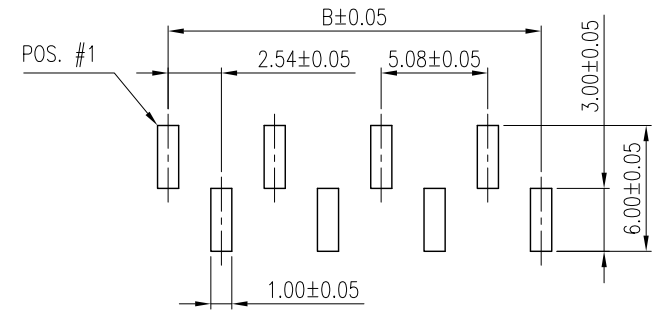
ORIGINAL



REVISIONS				
SYM	ECN No.	DESCRIPTION	DATE	APPROVED
A		REVISION TO PRODUCTION	12/11/2007	Hank Hsu
B	NE-10175	ADD CAP	10/29/2010	Arron
C	NE-10221	MODIFIED CAP DIMENSION	01/17/2011	Roger Tsai
D	NE-11079	MODIFIED COPLANARITY 0.13 MM--> 0.10MM	06/08/2011	Roger Tsai
E	NE-13057	MODIFIED DRAWING	04/30/2013	Roger Tsai
F	NE-13185	ADDED PKG	11/14/2013	Roger Tsai



- NOTES:
- INSULATOR: LCP, UL 94V-0, COLOR- BLACK
 - CONTACT: COPPER ALLOY, "XXX"- PIN CONTACT PLATING
 "005"- 15μ" GOLD
 "010"- 30μ" GOLD
 "018"- FULL GOLD FLASH
 "025"- 5μ" GOLD
 "032"- FULL TIN
 - THIS PRODUCT DOESN'T CONTAIN ENVIRONMENTAL HAZARDOUS MATERIALS PER DIRECTIVE 2011/65/EU FOR RoHS.
 - PACKING IS PER AMTA PACKING SPECIFICATION PKS-0001



G800 MR 298 XXX EU	1 x 10 = 10	25.40	22.86
G800 MR 299 XXX EU	1 x 9 = 9	22.86	20.32
G800 MR 300 XXX EU	1 x 8 = 8	20.32	17.78
G800 MH 301 XXX EU	1 x 7 = 7	17.78	15.24
G800 MR 302 XXX EU	1 x 6 = 6	15.24	12.70
G800 MR 304 XXX EU	1 x 4 = 4	10.16	7.62
G800 MR 305 XXX EU	1 x 3 = 3	7.62	5.08
G800 MR 306 XXX EU	1 x 2 = 2	5.08	2.54
PART NUMBER	NO. OF POS.	A	B

TOLERANCE		APPROVALS		DATE	TITLE		Amphenol®	
X.		DRAWN	Aqua Chou	11/14/2013	G800 SERIES PIN HEADER SINGLE ROW, 2.54 PITCH A TYPE		Amphenol Corporation Amphenol Taiwan Corporation	
X.X	±0.30	CHECKED	Roger Tsai	11/14/2013				
X.XX	±0.20	APPROVED	Roger Tsai	11/14/2013				
X.XXX	±0.10				UNIT	mm	SIZE	A3
ANGULAR	±1°				SCALE	NA	SHEET	1 OF 1
UNLESS OTHERWISE SPECIFIED		DWG TYPE	CUST DWG	PROJECT CODE	HEAD	PART No.		G800MRXXXXXEU_A
						DWG No.		G800MRXXXXXEU_A
						REV.		F

This document is the property of Amphenol Corporation and is delivered on the express condition that is not to be disclosed, reproduced or used, in whole or in part, for manufacture or sale by anyone other than Amphenol Corporation without its prior consent, and that no right is granted to disclose or to use any information in this document.

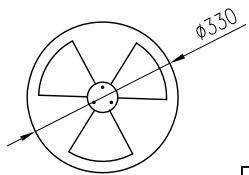
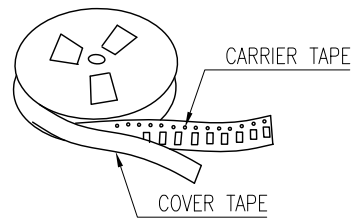
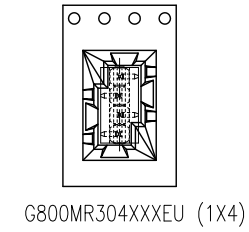
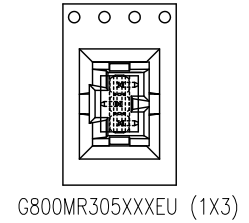
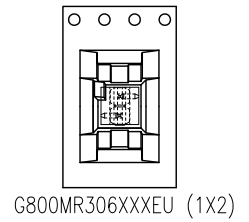
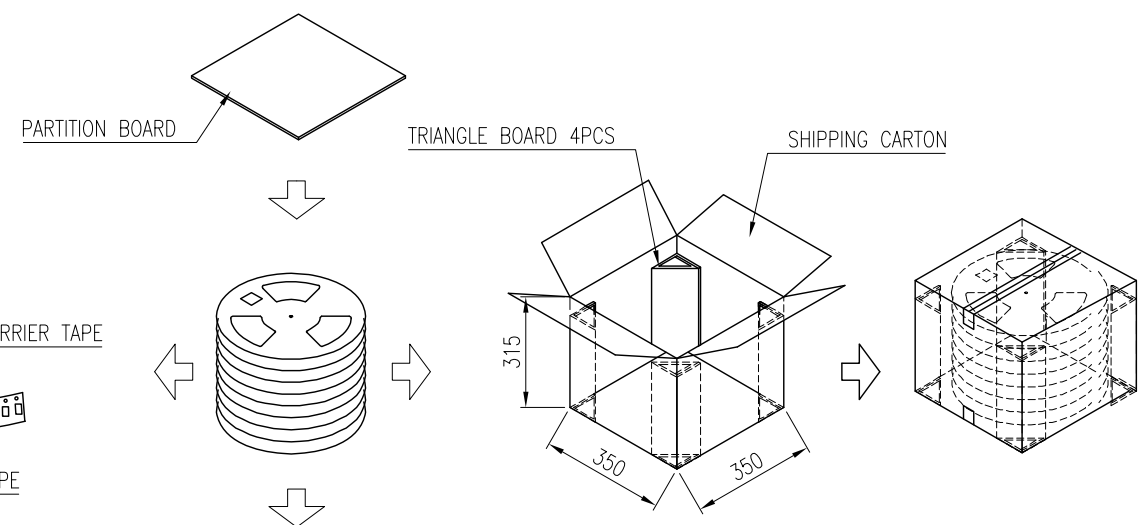
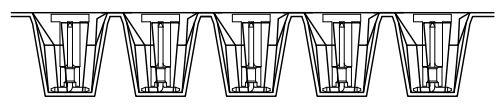
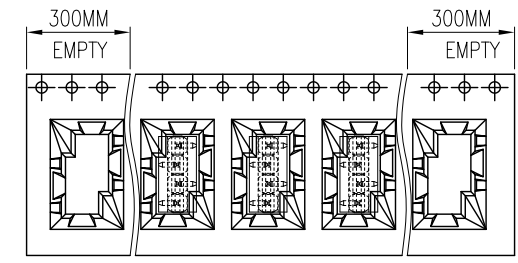
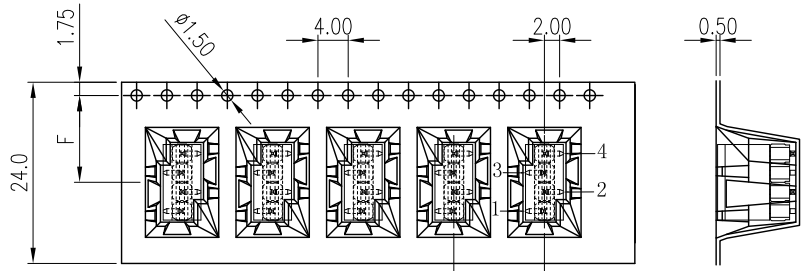
The marking on this product doesn't contain environmental hazardous materials per Material Specification 55-00259 for Sony GP compliant or per directive 2011/65/EU for RoHS compliant.



ORIGINAL



REVISIONS				
SYM	ECN No.	DESCRIPTION	DATE	APPROVED
A		REVISION TO PRODUCTION	12/11/2007	Hank Hsu
B	NE-10175	ADD CAP	10/29/2010	Arron
C	NE-10221	MODIFIED CAP DIMENSION	01/17/2011	Roger Tsai
D	NE-11079	MODIFIED COPLANARITY 0.13 MM--> 0.10MM	06/08/2011	Roger Tsai
E	NE-13057	MODIFIED DRAWING	04/30/2013	Roger Tsai
F	NE-13185	ADDED PKG	11/14/2013	Roger Tsai



500	9	4500	6.2	1.7	11.5	12.0	G800MR304XXXEU (1X4)
350	9	3150	5.2	1.0	10.5	16.0	G800MR305XXXEU (1X3)
350	9	4500	5.2	1.0	11.5	16.0	G800MR306XXXEU (1X2)
PCS/REEL	REELS/BOX	QUANTITY (PCS)	G/W (Kg)	N/W (Kg)	DIM F (MM)	DIM P (MM)	PART NUMBER

TOLERANCE		APPROVALS		DATE		TITLE		Amphenol®		
X.		DRAWN Aqua Chou		11/14/2013		G800 SERIES PIN HEADER SINGLE ROW, 2.54 PITCH A TYPE		Amphenol Corporation Amphenol Taiwan Corporation		
X.X	±0.30	CHECKED Roger Tsai		11/14/2013						
X.XX	±0.20	APPROVED Roger Tsai		11/14/2013						
X.XXX	±0.10	DWG TYPE CUST DWG		PROJECT CODE HEAD		UNIT mm		SIZE A3	PART No. G800MRXXXXXXEU_A	
ANGULAR ±1°						SCALE NA		SHEET 1 OF 1	DWG No. G800MRXXXXXXEU_A	REV. F
UNLESS OTHERWISE SPECIFIED										