

**Ratings**

Voltage: 300 V  
 Temperature  
 Static: -40 to 105 °C  
 Dynamic: -20 to 105 °C  
 Flammability: VW-1  
 Water resistant: 75 °C  
 Oil resistant: 60 °C (jacket)  
 ≥50% elongation and tensile strength after aging  
 UV resistance: jacket, 720 hours xenon or carbon arc exposure  
 ≥80% tensile strength and elongation after aging

**Conductor**

Conductor count: 8  
 Gauge: 22 AWG 0.34 mm<sup>2</sup>  
 Material: tinned copper strands  
 Strand size: Ø 0.16 mm x 17  
 Resistance at 20 °C: 59.4 Ω /km Max

**Insulator**

Material: PVC  
 Color: red, black, white, yellow, blue, green, orange, purple  
 Diameter: Ø 1.6 ±0.10 mm  
 Nominal thickness: 0.40 mm  
 Resistance at 20 °C: 10 MΩ /km Min

**Filler**

Material: cotton rope

**Drain**

Stranding: Ø 0.16 mm x 17  
 Material: tinned copper strands

**Shield**

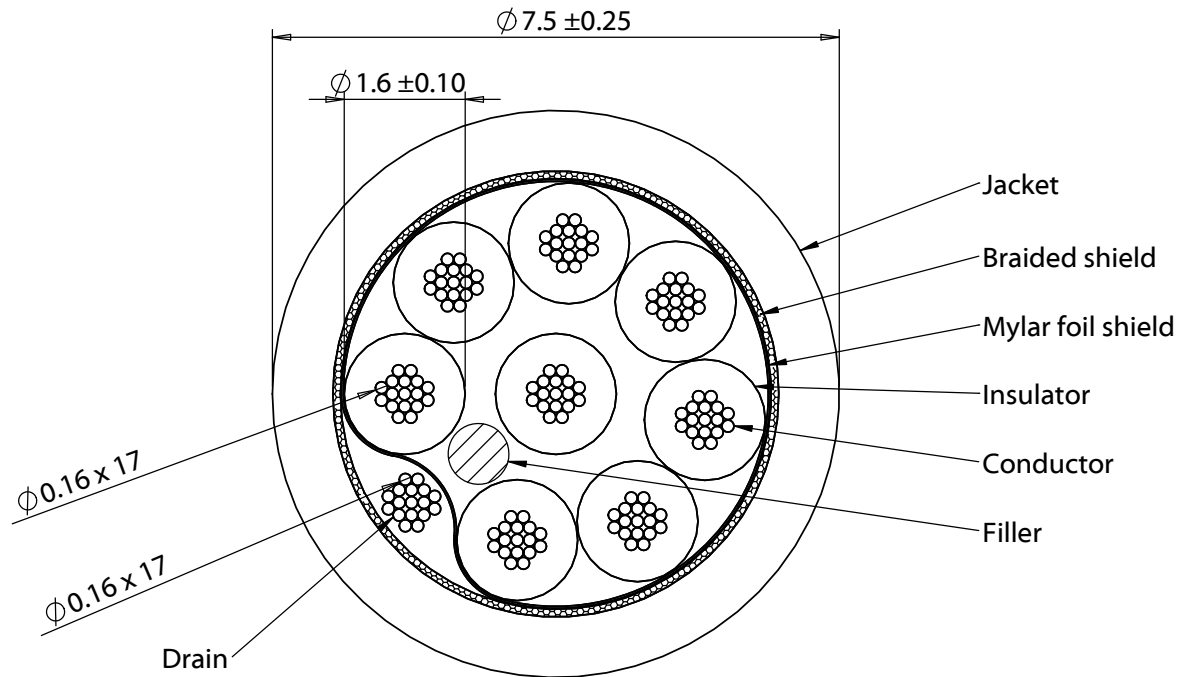
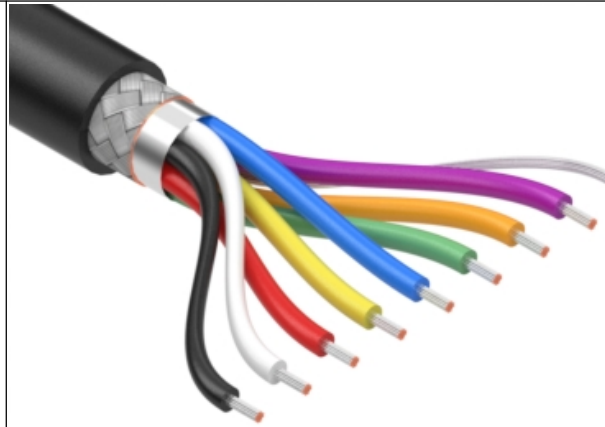
Type: aluminum mylar + tinned copper braid  
 Coverage: 65% min braid, 100% foil  
 Braid stranding: Ø0.10 mm

**Outer jacket**

Material: PVC, 80A  
 Color: black  
 Diameter: Ø 7.5 ±0.25 mm  
 Nominal thickness: 0.80 mm

**Wire marking:** E339579 UL AWM STYLE 20387 22 AWG 105°C  
 300V VW-1 60°C OIL RESISTANT UV RESISTANT TENSILITY

**Use:** External wiring



Revision:	Date:	Description:
A	8/25/2020	Initial release

Prepared: **JC**  
Digitally signed by JC  
 Date: 2020.08.28  
 16:29:27 -07'00'

Verified: **AW**  
Digitally signed by AW  
 Date: 2020.08.28  
 16:32:23 -07'00'

Dimensions are in millimeters.  
 Tolerances:  
 X: ± 0.5 mm  
 X.X: ± 0.3 mm  
 X.XX: ± 0.05 mm

Notes:  
 RoHS compliant  
 Function test: no open, no short circuit, no intermittent

Description:  
 Wire, 8C TS, 22 AWG, UL20387, 300V, 105C, 60C oil, UV, 7.5 mm, shielded, VW-1, PVC, 80A, black

**TENSILITY**

tel 1.541.323.3228 800 877.670.7118  
 fax 1.541.323.4202 web tensility.com

Size: A	Part number: 30-01610
Scale: 10:1	Sheet 1 of 1