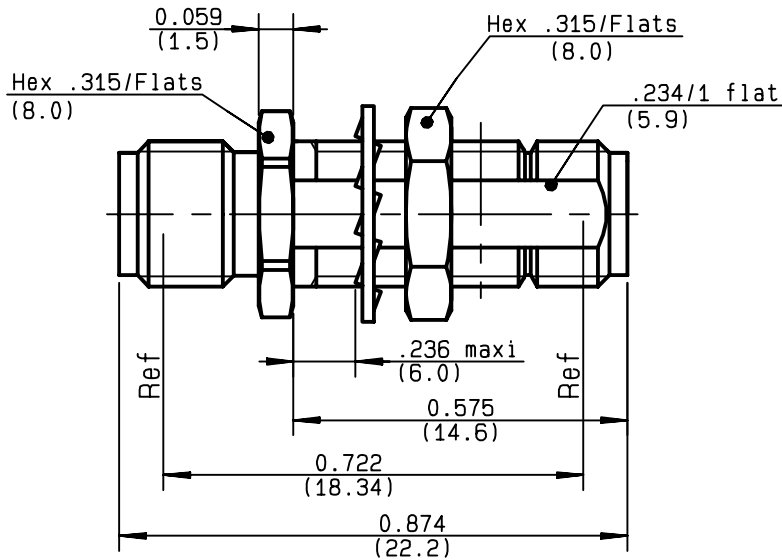
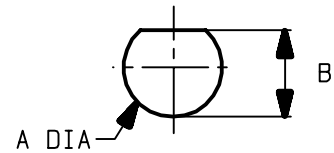


FEMALE-FEMALE BULKHEAD ADAPTOR

R124.720.003
SERIES SMA-COM



PERCAGE PANNEAU
 MOUNTING HOLE



	MM		INCH	
	maxi	mini	maxi	mini
A	6.5	6.4	0.256	0.252
B	6.15	6	0.232	0.24

NOMINAL IMPEDANCE	50	Ω
FREQUENCY RANGE	0-18	GHz
TEMPERATURE RATING	-65/+165	$^{\circ}\text{C}$
V.S.W.R	1.05 + .005 x F(GHz)Maxi	
RF INSERTION LOSS	0.07 \sqrt{F} (GHz) dB Maxi	
VOLTAGE RATING	500	Veff Maxi
DIELECTRIC WITHSTANDING VOLTAGE	1000	Veff Mini
INSULATION RESISTANCE	5000	M Ω Mini
HERMETIC SEAL	NA	Atm.cm ³ /s
LEAKAGE (pressurized only)	NA	
MECHANICAL DURABILITY	100	Cycles
WEIGHT	3.2	gr
SPECIFICATION		

CABLES :

OTHERS CHARACTERISTICS

CABLE RETENTION	NA	N Mini
CENTER CONTACT RETENTION		
Axial force - mating end	27	N Mini
Axial force - opposite end	27	N Mini
Torque	2.8	cm.N Mini
RECOMMENDED TORQUES		
Mating	NA	cm.N
Panel nut	150	cm.N
Clamp nut	NA	cm.N

CONNECTOR PARTS	MATERIALS	FINISH	(all values are given in micrometers)
BODY	BRASS	GOLD 0.2 OVER NICKEL 2	
OUTER CONTACT			
CENTER CONTACT	BERYLLIUM COPPER	GOLD 1.3 OVER COPPER 2.5	
INSULATOR	PTFE	-	
GASKET		-	
OTHERS PIECES	BRASS	GOLD 0.2 OVER NICKEL 2	

TRIQUES

ISSUE	CREATION DATE	FILE PART-NUMBER
9847A00	27/06/1996	96-1200-067



RADIALL[®]

The information given here is subject to change without notice.
 Design changes may be in order to improve the product .

Connect to the future