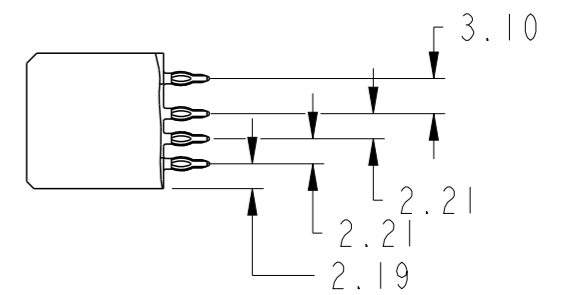
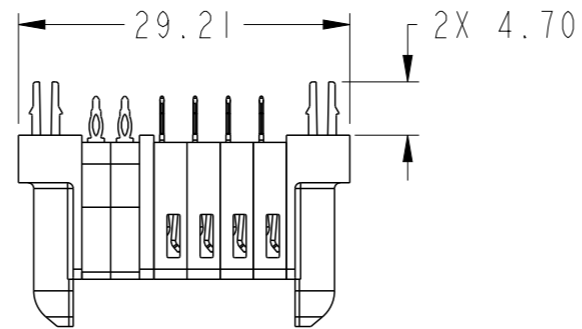
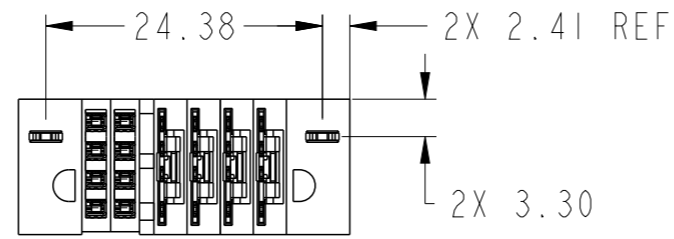
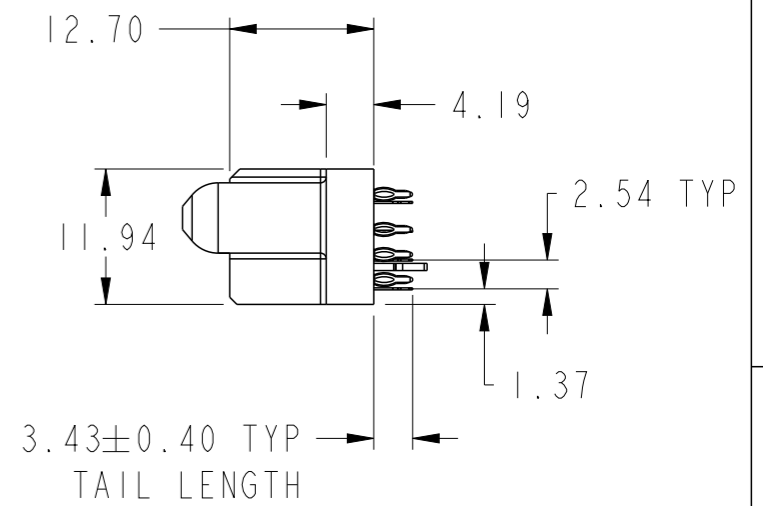
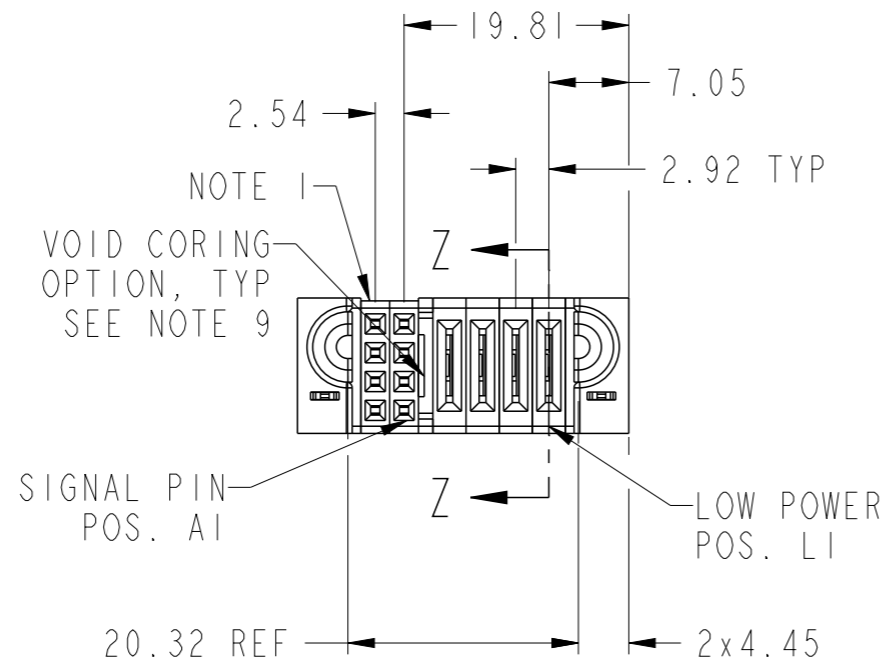


PRODUCT NUMBER SEE SHEET 2



SECTION Z-Z



spec ref	dr	Vicking Liu	2016/02/28	projection	MM	size	A3	scale	3:2	
tolerance std	eng	Vicking Liu	2016/03/30			ecn no	-	rel level	Released	
ASME Y14.5	chr	Fancy Zhang	2016/03/29							
TOLERANCES UNLESS OTHERWISE SPECIFIED				product family	PowerBlade+					
surface	linear	0.X	±0.50		part no		4LP + 8S		dwg no 10106269-0402002	rev A
		0.XX	±0.25		part no		VT PF RECEPTACLE			
		0.XXX	±0.10		cat. no.		Product - Customer Drw			
ASME Y14.5	angular	0°	±2°			sheet 1 of 3				

1

2

3

4

A

B

C

D

A

B

C

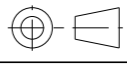
D

NOTES:

- 1) "FCI", PART NUMBER AND DATE CODE TO BE MARKED ON THIS SURFACE.
THE MARK CAN BE OMITTED IF THERE IS NOT ENOUGH SPACE ON THIS SURFACE.
- 2) MATERIALS:
-HOUSING - GLASS FILLED WITH HIGH TEMP THERMOPLASTIC, UL94V-0.
-SIGNAL CONTACT - COPPER ALLOY.
-POWER CONTACT - HIGH CONDUCTIVITY COPPER ALLOY.
- 3) PLATING SPECIFICATION: 10116351
- 4) DENOTES CONNECTOR KEEP OUT ZONE.
- 5) DATUM AND BASIC DIMENIONS ARE ESTABLISHED BY CUSTOMER.
- 6) ALL HOLE DIAMETERS ARE FINISHED HOLE SIZES.
- 7) 1.15 ±0.025MM DRILLED HOLE PLATED WITH 0.00762MM MIN Sn
OVER 0.0254-0.0762MM Cu PLATING TO ACHIEVE A 1.02 ±0.07MM HOLE.
- 8) PRODUCT SPECIFICATION: GS-12-658.
APPLICATION SPECIFICATION: GS-20-141.
PRODUCT PACKAGED IN TRAYS: GS-14-1502.
- 9) THE VOID CORING IN BETWEEN POWER MODULES, SIGNAL
MODULES AND END MODULES ARE OPTIONAL AND THE SHAPE
MAY BE DIFFERENT FOR OPTIMIZING THE MOLDING PROCESS. THE
VOID CORING WILL NOT EFFECT TO PRODUCT FUNCTION.

Amphenol
FCi

© 2016 AFCI

spec ref		dr	Vicking Liu	2016/02/28	projection 	MM	size	A3	scale	1:1	
tolerance std		eng	Vicking Liu	2016/03/30			product family PowerBlade+	ecn no	-		
ASME Y14.5		TOLERANCES UNLESS OTHERWISE SPECIFIED		chr				Fancy Zhang	2016/03/29	rel level	Released
surface		appr	Pei-Ming Zheng	2016/03/30				cat. no.	4LP + 8S	VT PF RECEPTACLE	dwg no
ASME Y14.5		linear	0.X	±0.50	Product - Customer Drw		sheet 3 of 3				
		angular	0°	±2°							

2

3

PDS: Rev :A

STATUS:Released

Printed: Mar 30, 2016